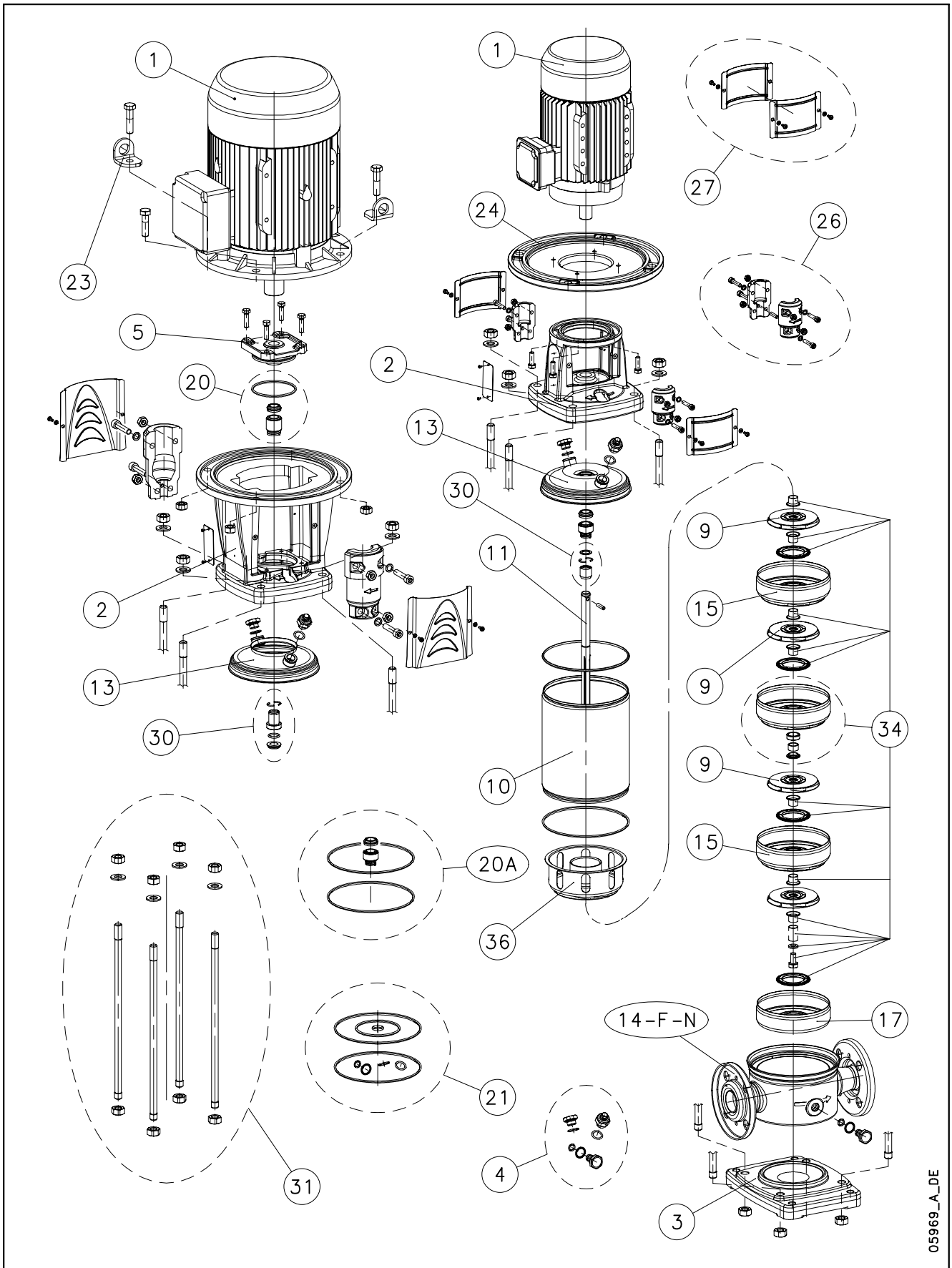


1, 3, 5, 10, 15, 22 SV.H (150°C)



05969_A_DE

Lowara, Vogel Pumpen are trademarks of Xylem Inc. or one of its subsidiaries. Goulds is a registered trademark of Goulds Pumps, Inc. and is used under license.

| N. | Descrizione It | Description en | Description fr | Beschreibung de | Descripción es | Descrição pt |
|----------|---------------------------------|--|--------------------------------------|---|---------------------------------|-------------------------------|
| | 1-22SV..H (150 °C) | | | | | |
| 1 | Motore | Motor | Moteur | Motor | Motor | Motor |
| 2 | Lanterna | Adaptor | Lanterne | Motorlaterne | Adaptador | Adaptador |
| 3 | Base | Basement | Base | Untersatz | Base | Base |
| 4 | Tappi | Plugs | Bouchons | Stopfen | Tapones | Tampões |
| 5 | Portatenuta superiore | Upper holder | Disque supérieure | Oberer dichtungsdeckel | Disco superior | Disco superior |
| 9 | Girante | Impeller | Roue | Lauftrad | Rodete | Impulsor |
| 10 | Camicia | Sleeve | Chemise | Gehäuse | Camisa | Camisa |
| 11 | Albero | Shaft | Arbre | Welle | Árbol | Veio |
| 13 | Disco porta tenuta | Seal housing disc | Disque de garniture | Dichtungssdeckel | Disco de alojamiento sello | Disco porta-vedante |
| 14 | Corpo pompa | Pump body | Corps de pompe | Pumpengehäuse | Caja bomba | Corpo da bomba |
| 15 | Diffusore | Diffuser | Diffuseur | Diffusor | Difusor | Difusor |
| 17 | Scatola stadio iniziale | Initial stage box | Box premier étage | Erste Stufe Diffusor | Caja etapa inicial | Carcaça primeira célula |
| 20 - 20A | Kit tenuta mecc. + OR | Mechanical seal + OR kit | Kit garniture mec. + joints toriques | Gleitringdichtung + O-Ring [Satz] | Kit sello mec. + junta tórica | Kit vedante mec. + OR |
| 21 | Kit guarnizioni OR | O ring kit | Kit joints toriques | Dichtungssatz | Kit juntas tóricas | Kit guarnições OR |
| 23 | Staffa sollevamento | Lifting bracket | Support de levage | Hebeösen | Soporte de elevación | Suporte de suspensão |
| 24 | Flangia motore | Motor flange | Bride moteur | Motorflansch | Brida motor | Flange motor |
| 26 | Kit coppia di semigiunti | Pair of half coupling kit | Kit paire de demi-manchons | Kupplung [Satz] | Kit par de semijuntas | Kit par de semi-juntas |
| 27 | Kit protezione giunto | Coupling guard kit | Kit protection manchon | Kupplungsschutz [Satz] | Kit protección junta | Kit protecção junta |
| 30 | Kit bussola tenuta | Bush seal kit | Kit douille garniture | Gleitringdichtungsarretierung und mitnehmer | Kit casquillo sello | kit bucha vedante |
| 31 | Kit tiranti | Tie rods kit | Kit tirants | Zugstangen [Satz] | Kit tirantes | Kit tirantes |
| 34 | Kit parti di usura | Wear parts kit | Kit parties d'usure | Verschleißteile [Satz] | Kit piezas de desgaste | Kit peças desgastáveis |
| 36 | Diffusore finale HT | Final diffuser HT | Diffuseur dernier étage HT | Enddiffusor HT | Difusor final HT | Difusor final HT |
| HT | Alta Temperatura | High Temperature | Haute Température | Hochtemperatur | Altas Temperaturas | Temperatura Elevada |
| N. | Beschrijving nl | Περιγραφή el | Açıklama tr | Kuvaus fi | Описание ru | Opis pl |
| | 1-22SV..H (150 °C) | | | | | |
| 1 | Motor | Πλήρης κινητήρας | Motor | Moottori | Двигатель | Silnik |
| 2 | Lantaarnstuk | Μπρακέτο | Adaptör | Sovitin | Крестовина | Piasta |
| 3 | Pompvoet | Βάση | Kaide | Perusta | Основание | Podstawa |
| 4 | Pluggen | Σετ ταπών | Tapalar | Tulpat | Пробки | Zatyczki |
| 5 | Bovenste plaat | Ανώτερος Δίσκος | Üst disk | Ylempi levy | Верхний держатель дисков | Tarcza górna |
| 9 | Waaier | στροφέιο | Pompa rotoru | Juoksupyöriä | рабочее колесо | Wirnik |
| 10 | Mantel | Κέλυφος | Gömlek | Muhvi | Муфта | Plaszcz |
| 11 | As | Άξονας | Mil | Akseli | Вал | Wal |
| 13 | Dichtingssteunplaat | Δίσκος μηχανικού στυπιοθλίπτη | Sızdırmazlık elemanı disk | Tiivisteen kannatuslevy | Пластина держателя прокладки | Tarcza uszczelki |
| 14 | Pomphuis | Σώμα αντλίας | Pompa gövdesi | Pumpun runko | Корпус насоса | Korpus pompy |
| 15 | Diffusor | Πτερύγιο εκτροπής | Difüzör | Diffusori | Диффузор | Dyfuzor |
| 17 | Kast eerste trap | Πρώτο πτερύγιο εκτροπής | İlk kademe kutusu | Ensivaiheen laatikko | Коробка начальной стадии | Skrzynka początkowego stadium |
| 20-20A | Set mech. asafdichting + O-ring | Μηχανικός στυπιοθλίπτης και ροδέλες στεγανοποίησης | Mekanik salmastra kiti + O-Ring | Mek. tiiviste + O-rengassarja | Комплект мех.прокладки + OR | Zestaw uszcz. mech. + OR |
| 21 | Set O-ringafdichtingen | Σετ ροδέλες στεγανοποίησης | O-Ring kiti | O-rengassarja | Комплект кольцевых прокладок OR | Zestaw uszczelki OR |
| 23 | Hijs steun | Άρση αγκύλη | Dirsek Kaldırma | Nosto ylätuki | Подъемные кронштейн | Podnoszenia wspornik |
| 24 | Motorflens | Μπρακέτο κινητήρα | Motor flanşı | Moottorin laippa | Фланец двигателя | Końierz silnika |
| 26 | Set koppelingshelften | Σετ σταθερού συνδέσμου | Çift yarım manşon kiti | Liitinsarja | Комплект пары полумуфт | Zestaw pary półzłączy |
| 27 | Set koppelingsbescherming | Καλύμματα προστασίας σταθερού συνδέσμου | Manşon koruma kiti | Liitoksen suojuksarja | Комплект защиты муфт | Zestaw ochrony złączy |
| 30 | Set afdichtingsbus | Σετ κουζινέτου μηχανικού στυπιοθλίπτη | Sızdırmazlık elemanı burcu kiti | Holkki ja tiiviste | Комплект втулки уплотнения | Zestaw busoli uszczel. |
| 31 | Set trekstangen | Σετ ράβδων σύνδεσης | Gergi çubuğu kiti | Vetotankosarja | Комплект тяг | Zestaw napinaczy |
| 34 | Set slijtonderdelen | Σετ δακτυλίων τριβής | Aşınma parçaları kiti | Kulumisiosien sarja | Комплект изнашиваемых частей | Zestaw części podl. zużyciu |
| 36 | Diffusor laatste trap HT | Τελευταίο πτερύγιο εκτροπής HT | Son difüzör HT | Loppuvaiheen diffusori HT | Конечный диффузор HT | Dyfuzor końcowy HT |
| HT | Hoge Temperaturen | Υψηλής θερμοκρασίας | Yüksek isi | Korkea lämpötila | Высокая температура | Wysokiej Temperatury |

1SV FH 2 Pole (1SVFH/D: motors IE3 fitted)

Production date > June 2011

| ELP 2 P | | 1SV02FH003 | 1SV03FH003 | 1SV04FH003 | 1SV05FH003 | 1SV06FH003 | 1SV07FH003 | 1SV08FH005 | 1SV09FH005 | 1SV10FH005 | 1SV11FH005 |
|-----------|-----------|------------|------------|------------|------------|------------|------------|------------|------------|------------|------------|
| F Version | M -> | 1016L183H | 1016L184H | 1016L185H | 1016L186H | 1016L187H | 1016L188H | 1016L189H | 1016L190H | 1016L191H | 1016L192H |
| | T(IE1) -> | 1016L001H | 1016L002H | 1016L003H | 1016L004H | 1016L005H | 1016L006H | 1016L007H | 1016L008H | 1016L009H | 1016L010H |
| M -> | M -> | 1016L193H | 1016L194H | 1016L196H | 1016L198H | 1016L200H | 1016L203H | 1016L206H | 1016L208H | 1016L211H | 1016L213H |
| | T(IE2) -> | 1016L011H | 1016L012H | 1016L014H | 1016L016H | 1016L018H | 1016L021H | 1016L024H | 1016L026H | 1016L029H | 1016L031H |
| T(IE3) -> | T(IE3) -> | 1016L011H | 1016L012H | 1016L014H | 1016L016H | 1016L018H | 1016L021H | 1016LA02H | 1016LA04H | 1016LA07H | 1016LA09H |
| | T(IE3) -> | 1016LC11H | 1016LC12H | 1016LC14H | 1016LC16H | 1016LC18H | 1016LC21H | 1016LC24H | 1016LC26H | 1016LC29H | 1016LC31H |
| M -> | M -> | 1016L215H | 1016L218H | | | | | | | | |
| | T(IE2) -> | 1016L033H | 1016L036H | | | | | | | | |
| T(IE3) -> | T(IE3) -> | 1016LA11H | 1016LA14H | | | | | | | | |
| | T(IE3) -> | 1016LC33H | 1016LC36H | | | | | | | | |

Single Unit and Kit

| | | | | | | | | | | | | |
|----|------------------|------------|------------|------------|------------|------------|------------|------------|------------|------------|------------|--|
| 10 | Sleeve A304 | 166443040 | 166443060 | 166443070 | 166443080 | 166443100 | 166443120 | 166443140 | 166443150 | 166443160 | 166443180 | |
| | | 166443200 | 166443220 | 166443240 | 166443280 | 166443310 | 166443360 | 166443400 | 166443440 | 166443480 | 166443520 | |
| | | 166443550 | 166443600 | | | | | | | | | |
| 11 | Shaft A304 | 165050040B | 165050060B | 165050070B | 165050080B | 165050100B | 165050120B | 165050140B | 165050150B | 165050160B | 165050180B | |
| | | 165050200B | 165050220B | 165050240B | 165050280B | 165050310B | 165050360B | 165050400B | 165050440B | 165050480B | 165050520B | |
| | | 165050550B | 165050600B | | | | | | | | | |
| 31 | Tie rods SVF kit | KL22AK5 | KL22AK6 | KL22AK7 | KL22AK8 | KL22AK9 | KL22ABP | KL22ALB | KL22ALC | KL22ALD | KL22ALE | |
| | | KL22ABT | KL22ALG | KL22ALK | KL22ABW | KL22AMK | KL22ALQ | KL22AL2 | KL22AL3 | KL22ALV | KL22ALX | |
| | | KL22AMQ | KL22AL5 | | | | | | | | | |

Motor, Coupling, Motor adaptor

| Motor power kW > | 0,37 | 0,37 | 0,37 | 0,37 | 0,37 | 0,37 | 0,55 | 0,55 | 0,55 | 0,55 |
|------------------|------|------|------|------|------|------|------|------|------|------|
| | 0,75 | 0,75 | 0,75 | 1,1 | 1,1 | 1,1 | 1,5 | 1,5 | 1,5 | 2,2 |
| | 2,2 | 2,2 | | | | | | | | |

| | | | | | | | |
|--------------------------------|--------------------------------|-----------|-----------|-----------|-----------|-----------|-----------|
| **1 | kW > | 0,37 | 0,55 | 0,75 | 1,1 | 1,5 | 2,2 |
| Motor 2P, 1 -> | Motor 2P, 1 -> | 107230020 | 107230040 | 107230100 | 107230120 | 107230180 | 50004HD00 |
| | Motor 2P, 3- IE2 since 0,75kW> | 107230060 | 107230080 | 107230150 | 107230500 | 50000RD00 | 50001RD00 |
| | | 107230060 | 107230080 | 107230150 | 107230500 | 107240000 | 107240500 |
| Motor 2P, 3- IE3 since 0,75kW> | 107230060 | 107230080 | 107234000 | 107234010 | 107234020 | 50A01RD00 | |
| 2 | Adaptor | 161470700 | 161470700 | 161470720 | 161470720 | 161470740 | 161470740 |
| 23 | Lifting bracket | - | - | - | - | - | - |
| 26 | Coupling | KL10ABC | KL10ABC | KL10ABD | KL10ABD | KL10ABE | KL10ABE |
| 27 | Coupling guard | KL33AAM | KL33AAM | KL33AAN | KL33AAN | KL33AAP | KL33AAP |

Wear Parts kit

| up to model (->) | -> 1SV10 | -> 1SV20 | -> 1SV27 | -> 1SV35 | -> 1SV38 |
|------------------|-----------|-----------|-----------|-----------|-----------|
| *34 Wear parts | 1 bearing | 2 bearing | 3 bearing | 4 bearing | 5 bearing |
| | KL35AEE | KL35AEF | KL35AEG | KL35AEH | KL35AEK |

Mech seal Kit : Seal + sleeve OR

| | | | | |
|-------|--------------|---------|---------|---------------------------------------|
| **20A | Materials -> | Q1AEGG | KL01AES | Mech seal std Balanced HT D12 + OR HT |
| | | Q1AVGG | KL01AET | |
| | | Q1Q1VGG | KL01AED | |

Common, Single Unit and kit

| | | | |
|-----|-----------------------|-----------|-------------|
| 3 | Base | 161431310 | -> 1-3-5SVF |
| 4 | Plugs | EPDM HT | KL34AAX |
| | | FPM | KL34AAL |
| 5 | Upper holder | - | |
| *9 | Impeller 1SV A304 | 150703600 | |
| 13 | Seal housing disc | 150102920 | |
| 14 | Pump body | 151302320 | -> 1-3SVF |
| 15 | Diffuser | 152803110 | |
| 17 | First stage box | 152802910 | |
| *21 | OR | EPDM HT | KL02AB5 |
| | | FPM | KL02AA2 |
| 24 | Motor flange | - | |
| 30 | Bush seal kit EPDM HT | EPDM HT | KL41AA4 |
| | | FPM | KL41AA5 |
| 36 | Final diffuser HT | 152803352 | |

* Recommended spare parts - Parti di ricambio consigliate

* Pièces détachées conseillées - Empfohlene Ersatzteile

** Motor spare parts: see motor lists - Parti di ricambio motore: vedi liste motore

** Pièces détachées Moteur : voir listes moteur - Motor-Ersatzteile: gem. Motorlisten

1-22SVFH_5_June11_EdB

1SV FH 4 Pole

| ELP 4 P | | | | | | | | | | | |
|-----------|-----------|-------------|-------------|-------------|-------------|-------------|-------------|-------------|-------------|-------------|-------------|
| F Version | T(IE1) ~> | 1SV02FH0024 | 1SV05FH0024 | 1SV08FH0024 | 1SV11FH0024 | 1SV15FH0024 | 1SV19FH0024 | 1SV22FH0024 | 1SV27FH0024 | 1SV30FH0024 | 1SV34FH0024 |
| | | 1016L289H | 1016L292H | 1016L295H | 1016L298H | 1016L302H | 1016L306H | 1016L309H | 1016L314H | 1016L317H | 1016L321H |
| | T(IE1) ~> | 1SV37FH0024 | | | | | | | | | |
| | | 1016L324H | | | | | | | | | |

Single Unit and Kit

| | | | | | | | | | | | |
|----|------------------|------------|------------|------------|------------|------------|------------|------------|------------|------------|------------|
| 10 | Sleeve A304 | 166443040 | 166443070 | 166443120 | 166443160 | 166443230 | 166443300 | 166443340 | 166443420 | 166443470 | 166443540 |
| | | 166443580 | | | | | | | | | |
| 11 | Shaft A304 | 165050040B | 165050070B | 165050120B | 165050160B | 165050230B | 165050300B | 165050340B | 165050420B | 165050480B | 165050550B |
| | | 165050600B | | | | | | | | | |
| 31 | Tie rods SVF kit | KL22AK5 | KL22AK7 | KL22ABP | KL22ALD | KL22ALH | KL22ALM | KL22ALP | KL22ALS | KL22ALU | KL22ALY |
| | | KL22ALZ | | | | | | | | | |

Motor, Coupling, Motor adaptor

| Motor power kW > | 0,25 | 0,25 | 0,25 | 0,25 | 0,25 | 0,25 | 0,25 | 0,25 | 0,25 | 0,25 |
|------------------|------|------|------|------|------|------|------|------|------|------|
| | 0,25 | | | | | | | | | |

| | | |
|-----|-----------------|-----------|
| **1 | kW > | 0,25 |
| | Motor 4P, 3 ~> | 107230640 |
| 2 | Adaptor | 161470700 |
| 23 | Lifting bracket | - |
| 26 | Coupling | KL10ABC |
| 27 | Coupling guard | KL33AAM |

Wear Parts kit

| up to model (->) | -> 1SV10 | -> 1SV20 | -> 1SV27 | -> 1SV35 | -> 1SV38 | |
|------------------|------------|-----------|-----------|-----------|-----------|---------|
| | 1 bearing | 2 bearing | 3 bearing | 4 bearing | 5 bearing | |
| *34 | Wear parts | KL35AEE | KL35AEF | KL35AEG | KL35AEH | KL35AEK |

Mech seal Kit : Seal + sleeve OR

| | | | | |
|------|--------------|---------|---------|---------------------------------------|
| *20A | Materials -> | Q1AEGG | KL01AES | Mech seal std Balanced HT D12 + OR HT |
| | | Q1AVGG | KL01AET | |
| | | Q1Q1VGG | KL01AED | |

Common, Single Unit and kit

| | | | | |
|-----|-----------------------|---------|-----------|----------------------------|
| 3 | Base | | 161431310 | -> 1-3-5SVF |
| 4 | Plugs | EPDM HT | KL34AAX | Kit common with 1-22SV...B |
| | | FPM | KL34AAL | |
| 5 | Upper holder | | - | |
| *9 | Impeller 1SV A304 | | 150703600 | |
| 13 | Seal housing disc | | 150102920 | |
| 14 | Pump body | | 151302320 | |
| 15 | Diffuser | | 152803110 | |
| 17 | First stage box | | 152802910 | |
| *21 | OR | EPDM HT | KL02AB5 | |
| | | FPM | KL02AA2 | |
| 24 | Motor flange | | - | |
| 30 | Bush seal kit EPDM HT | | KL41AA4 | |
| | Bush seal kit FPM | | KL41AA5 | |
| 36 | Final diffuser HT | | 152803352 | |

* Recommended spare parts - Parti di ricambio consigliate

* Pièces détachées conseillées - Empfohlene Ersatzteile

** Motor spare parts: see motor lists - Parti di ricambio motore: vedi liste motore

** Pièces détachées Moteur : voir listes moteur - Motor-Ersatzteile: gem. Motorlisten

1-22SVFH_5_June11_EdB

3SV FH 2 Pole (3SVFH/D: motors IE3 fitted)

| ELP 2 P | | | | | | | | | | |
|------------------|-------------------|-------------------|-------------------|-------------------|-------------------|-------------------|-------------------|-------------------|-------------------|-------------------|
| F Version | 3SV02FH003 | 3SV03FH003 | 3SV04FH003 | 3SV05FH005 | 3SV06FH005 | 3SV07FH007 | 3SV08FH007 | 3SV09FH011 | 3SV10FH011 | 3SV11FH011 |
| M ~> | 1016L223H | 1016L224H | 1016L225H | 1016L226H | 1016L227H | 1016L228H | 1016L229H | 1016L230H | 1016L231H | 1016L232H |
| T(IE1-IE2) ~> | 1016L042H | 1016L043H | 1016L044H | 1016L045H | 1016L046H | 1016L047H | 1016L048H | 1016L049H | 1016L050H | 1016L051H |
| T(IE1-IE3) ~> | 1016L042H | 1016L043H | 1016L044H | 1016L045H | 1016L046H | 1016L047H | 1016L048H | 1016L049H | 1016L050H | 1016L051H |
| | 3SV12FH011 | 3SV13FH015 | 3SV14FH015 | 3SV16FH015 | 3SV19FH022 | 3SV21FH022 | 3SV23FH022 | 3SV25FH022 | 3SV27FH030 | 3SV29FH030 |
| M ~> | 1016L233H | 1016L234H | 1016L235H | 1016L237H | 1016L240H | 1016L242H | 1016L244H | 1016L246H | | |
| T(IE2) ~> | 1016L052H | 1016L053H | 1016L054H | 1016L056H | 1016L059H | 1016L061H | 1016L063H | 1016L065H | 1016L067H | 1016L069H |
| | 1016L052H | 1016LA19H | 1016LA20H | 1016LA22H | 1016LA25H | 1016LA27H | 1016LA29H | 1016LA31H | 1016LA33H | 1016LA35H |
| T(IE3) ~> | 1016LC52H | 1016LC53H | 1016LC54H | 1016LC56H | 1016LC59H | 1016LC61H | 1016LC63H | 1016LC65H | 1016LC67H | 1016LC69H |
| | 3SV31FH030 | | | | | | | | | |
| M ~> | | | | | | | | | | |
| T(IE2) ~> | 1016L071H | | | | | | | | | |
| | 1016LA37H | | | | | | | | | |
| T(IE3) ~> | 1016LC71H | | | | | | | | | |

Single Unit and Kit

| | | | | | | | | | | | |
|----|------------------|------------|------------|------------|------------|------------|------------|------------|------------|------------|------------|
| 10 | Sleeve A304 | 166443060 | 166443060 | 166443070 | 166443080 | 166443100 | 166443120 | 166443140 | 166443150 | 166443160 | 166443180 |
| | | 166443200 | 166443220 | 166443230 | 166443260 | 166443310 | 166443340 | 166443380 | 166443400 | 166443440 | 166443470 |
| | | 166443500 | | | | | | | | | |
| 11 | Shaft A304 | 165050060B | 165050060B | 165050070B | 165050080B | 165050100B | 165050120B | 165050140B | 165050150B | 165050160B | 165050180B |
| | | 165050200B | 165050220B | 165050230B | 165050260B | 165050310B | 165050340B | 165050380B | 165050400B | 165050440B | 165050470B |
| | | 165050500B | | | | | | | | | |
| 31 | Tie rods SVF kit | KL22AK6 | KL22AK6 | KL22AK7 | KL22AK8 | KL22AK9 | KL22ABP | KL22ALB | KL22ALC | KL22ALD | KL22ALE |
| | | KL22ABT | KL22ALG | KL22ALH | KL22ALL | KL22AMK | KL22ALP | KL22AL1 | KL22AL2 | KL22AL3 | KL22ALU |
| | | KL22ALW | | | | | | | | | |

Motor, Coupling, Motor adaptor

| | | | | | | | | | | |
|---------------------|-------------|-------------|-------------|------------|------|-------------|-------------|-----|------------|------------|
| Motor power kW > | 0,37 | 0,37 | 0,37 | 0,55 | 0,55 | 0,75 | 0,75 | 1,1 | 1,1 | 1,1 |
| | 1,1 | 1,5 | 1,5 | 1,5 | 2,2 | 2,2 | 2,2 | 2,2 | 3,0 | 3,0 |
| | 3,0 | | | | | | | | | |

| | | | | | | | | |
|-----|-------------------------------|------------------|-----------|------------------|-----------|------------------|-----------|------------------|
| **1 | kW > | 0,37 | 0,55 | 0,75 | 1,1 | 1,5 | 2,2 | 3,0 |
| | Motor 2P, 1 ~> | 107230020 | 107230040 | 107230100 | 107230120 | 107230180 | 50004HD00 | |
| | Motor 2P, 3- IE2 since 0,75kW | 107230060 | 107230080 | 107230150 | 107230500 | 107240000 | 50001RD00 | 50002RF00 |
| | | 107230060 | 107230080 | 107230150 | 107230500 | 107240000 | 107240500 | 107241000 |
| | Motor 2P, 3- IE3 since 0,75kW | 107230060 | 107230080 | 107234000 | 107234010 | 107234020 | 50A01RD00 | 50A02RF00 |
| 2 | Adaptor | 161470700 | 161470700 | 161470720 | 161470720 | 161470740 | 161470740 | 161470760 |
| 23 | Lifting bracket | - | - | - | - | - | - | - |
| 26 | Coupling | KL10ABC | KL10ABC | KL10ABD | KL10ABD | KL10ABE | KL10ABE | KL10ABF |
| 27 | Coupling guard | KL33AAM | KL33AAM | KL33AAN | KL33AAN | KL33AAP | KL33AAP | KL33AAQ |

Wear Parts kit

| | | | | |
|------------------|-----------------|-----------------|-----------------|-----------------|
| | -> 3SV10 | -> 3SV20 | -> 3SV27 | -> 3SV31 |
| up to model (->) | 1 bearing | 2 bearing | 3 bearing | 4 bearing |
| *34 Wear parts | KL35AEE | KL35AEF | KL35AEG | KL35AEH |

Mech seal Kit : Seal + sleeve OR

| | | | | |
|------|--------------|----------------|---------|---------------------------------------|
| *20A | Materials -> | Q1AEGG | KL01AES | Mech seal std Balanced HT D12 + OR HT |
| | | Q1AVGG | KL01AET | |
| | | Q1Q1VGG | KL01AED | |

Common, Single Unit and kit

| | | | |
|-----|-----------------------|-----------|---------------|
| 3 | Base | 161431310 | -> 1-3-5SVF-R |
| 4 | Plugs | EPDM HT | KL34AAX |
| | | FPM | KL34AAL |
| 5 | Upper holder | - | |
| *9 | Impeller 3SV A304 | 150703610 | |
| 13 | Seal housing disc | 150102920 | |
| 14 | Pump body | 151302320 | |
| 15 | Diffuser | 152803110 | |
| 17 | First stage box | 152802910 | |
| *21 | OR | EPDM HT | KL02AB5 |
| | | FPM | KL02AA2 |
| 24 | Motor flange | - | |
| 30 | Bush seal kit EPDM HT | KL41AA3 | |
| | Bush seal kit FPM | KL41AA5 | |
| 36 | Final diffuser HT | 152803352 | |

* Recommended spare parts - Parti di ricambio consigliate

* Pièces détachées conseillées - Empfohlene Ersatzteile

** Motor spare parts: see motor lists - Parti di ricambio motore: vedi liste motore

** Pièces détachées Moteur : voir listes moteur - Motor-Ersatzteile: gem. Motorlisten

3SV FH 4 Pole

| ELP 4 P | | | | | | | | | | |
|-----------|-------------|-------------|-------------|-------------|-------------|-------------|-------------|-------------|-------------|--|
| F Version | 3SV02FH0024 | 3SV05FH0024 | 3SV08FH0024 | 3SV11FH0024 | 3SV14FH0024 | 3SV19FH0024 | 3SV23FH0024 | 3SV27FH0034 | 3SV33FH0034 | |
| | 1016L330H | 1016L333H | 1016L336H | 1016L339H | 1016L342H | 1016L347H | 1016L351H | 1016L355H | 1016L361H | |

Single Unit and Kit

| | | | | | | | | | | |
|----|----------------|------------|------------|------------|------------|------------|------------|------------|------------|------------|
| 10 | Sleeve A304 | 166443060 | 166443070 | 166443120 | 166443160 | 166443220 | 166443300 | 166443360 | 166443420 | 166443520 |
| 11 | Shaft A304 | 165050060B | 165050070B | 165050120B | 165050160B | 165050220B | 165050300B | 165050360B | 165050420B | 165050540B |
| 31 | Tie rods SVF k | KL22AK6 | KL22AK7 | KL22ABP | KL22ALD | KL22ALG | KL22ALM | KL22ALQ | KL22ALS | KL22ALX |

Motor, Coupling, Motor adaptor

| Motor power | 0,25 | 0,25 | 0,25 | 0,25 | 0,25 | 0,25 | 0,25 | 0,25 | 0,37 | 0,37 |
|-------------|------|------|------|------|------|------|------|------|------|------|
|-------------|------|------|------|------|------|------|------|------|------|------|

| | | | |
|-----|-----------------|-----------|-----------|
| **1 | kW > | 0,25 | 0,37 |
| | Motor 2P, 3 ~ > | 107230640 | 107230700 |
| 2 | Adaptor | 161470700 | 161470700 |
| 23 | Lifting bracket | - | - |
| 26 | Coupling | KL10ABC | KL10ABC |
| 27 | Coupling guard | KL33AAM | KL33AAM |

Wear Parts kit

| | - > 3SV10 | - > 3SV20 | - > 3SV27 | - > 3SV35 |
|-------------------|-----------|-----------|-----------|-----------|
| up to model (- >) | 1 bearing | 2 bearing | 3 bearing | 4 bearing |
| *34 Wear parts | KL35AEE | KL35AEF | KL35AEG | KL35AEH |

Mech seal Kit : Seal + sleeve OR

| | | | | |
|------|--------------|---------|---------|---------------------------------------|
| *20A | Materials -> | Q1AEGG | KL01AES | Mech seal std Balanced HT D12 + OR HT |
| | | Q1AVGG | KL01AET | |
| | | Q1Q1VGG | KL01AED | |

Common, Single Unit and kit

| | | | | |
|-----|-------------------|-----------|-------------|----------------------------|
| 3 | Base | 161431310 | -> 1-3-5SVF | |
| 4 | Plugs | EPDM HT | KL34AAX | Kit common with 1-22SV...B |
| | | FPM | KL34AAL | |
| 5 | Upper holder | - | | |
| *9 | Impeller 3SV A304 | 150703610 | | |
| 13 | Seal housing disc | 150102920 | | |
| 14 | Pump body | 151302320 | | |
| 15 | Diffuser | 152803110 | | |
| 17 | First stage box | 152802910 | | |
| *21 | OR | EPDM HT | KL02AB5 | |
| | | FPM | KL02AA2 | |
| 24 | Motor flange | - | | |
| 30 | Bush seal kit | EPDM HT | KL41AA3 | |
| | | FPM | KL41AA5 | |
| 36 | Final diffuser HT | 152803352 | | |

* Recommended spare parts - Parti di ricambio consigliate

* Pièces détachées conseillées - Empfohlene Ersatzteile

** Motor spare parts: see motor lists - Parti di ricambio motore: vedi liste motore

** Pièces détachées Moteur : voir listes moteur - Motor-Ersatzteile: gem. Motorlisten

1-22SVFH_5_June11_EdB

5SV FH 2 Pole (5SVFH/D: motors IE3 fitted)

| ELP 2 P | | 5SV02FH003 | 5SV03FH005 | 5SV04FH005 | 5SV05FH007 | 5SV06FH011 | 5SV07FH011 | 5SV08FH011 | 5SV09FH015 | 5SV10FH015 | 5SV11FH015 |
|---------------|-----------|------------|------------|------------|------------|------------|------------|------------|------------|------------|------------|
| F Version | M -> | 1016L251H | 1016L252H | 1016L253H | 1016L254H | 1016L255H | 1016L256H | 1016L257H | 1016L258H | 1016L259H | 1016L260H |
| T(IE1-IE2) -> | | 1016L079H | 1016L080H | 1016L081H | 1016L082H | 1016L083H | 1016L084H | 1016L085H | 1016L086H | 1016L087H | 1016L088H |
| | | 1016L079H | 1016L080H | 1016L081H | 1016L082H | 1016L083H | 1016L084H | 1016L085H | 1016LA44H | 1016LA45H | 1016LA46H |
| T(IE1-IE3) -> | | 1016L079H | 1016L080H | 1016L081H | 1016LC82H | 1016LC83H | 1016LC84H | 1016LC85H | 1016LC86H | 1016LC87H | 1016LC88H |
| | | 5SV12FH022 | 5SV13FH022 | 5SV14FH022 | 5SV15FH022 | 5SV16FH022 | 5SV18FH030 | 5SV21FH030 | 5SV23FH040 | 5SV25FH040 | 5SV28FH040 |
| M -> | | 1016L261H | 1016L262H | 1016L263H | 1016L264H | 1016L265H | | | | | |
| | T(IE2) -> | 1016L089H | 1016L090H | 1016L091H | 1016L092H | 1016L093H | 1016L095H | 1016L098H | 1016L100H | 1016L102H | 1016L105H |
| T(IE3) -> | | 1016LA47H | 1016LA48H | 1016LA49H | 1016LA50H | 1016LA51H | 1016LA53H | 1016LA56H | 1016L100H | 1016L102H | 1016L105H |
| | | 1016LC89H | 1016LC90H | 1016LC91H | 1016LC92H | 1016LC93H | 1016LC95H | 1016LC98H | 1016LD00H | 1016LD02H | 1016LD05H |
| | | 5SV30FH055 | | | | | | | | | |
| M -> | | | | | | | | | | | |
| T(IE2) -> | | 1016L107H | | | | | | | | | |
| T(IE3) -> | | 1016LD07H | | | | | | | | | |

Single Unit and Kit

| | | | | | | | | | | | |
|----|-------------|------------|------------|------------|------------|------------|------------|------------|------------|------------|------------|
| 10 | Sleeve A304 | 166443050 | 166443070 | 166443080 | 166443110 | 166443130 | 166443150 | 166443170 | 166443190 | 166443210 | 166443230 |
| | | 166443240 | 166443270 | 166443290 | 166443310 | 166443320 | 166443370 | 166443430 | 166443470 | 166443510 | 166443560 |
| 11 | Shaft A304 | 165050050B | 165050070B | 165050080B | 165050110B | 165050130B | 165050150B | 165050170B | 165050190B | 165050210B | 165050230B |
| | | 165050240B | 165050270B | 165050290B | 165050310B | 165050320B | 165050370B | 165050430B | 165050470B | 165050510B | 165050560B |
| 31 | Tie rods SV | KL22AL8 | KL22AK7 | KL22AK8 | KL22AMA | KL22AMB | KL22ALC | KL22AMC | KL22AMD | KL22AME | KL22ALH |
| | | KL22ALK | KL22AMG | KL22AMH | KL22AMK | KL22ALN | KL22AMU | KL22AMV | KL22ALU | KL22AMW | KL22AL4 |
| | | KL22AM0 | | | | | | | | | |

Motor, Coupling, Motor adaptor

| Motor power kW > | 0,37 | 0,55 | 0,55 | 0,75 | 1,1 | 1,1 | 1,1 | 1,5 | 1,5 | 1,5 |
|------------------|------|------|------|------|-----|-----|-----|-----|-----|-----|
| | 2,2 | 2,2 | 2,2 | 2,2 | 2,2 | 3,0 | 3,0 | 4,0 | 4,0 | 4,0 |
| | 5,5 | | | | | | | | | |

| | | | | | | | | | | |
|-----|-----------------------------|-----------|-----------|-----------|-----------|-----------|-----------|-----------|-----------|-----------|
| **1 | kW > | 0,37 | 0,55 | 0,75 | 1,1 | 1,5 | 2,2 | 3,0 | 4,0 | 5,5 |
| | Motor 2P, 1 -> | 107230020 | 107230040 | 107230100 | 107230120 | 107230180 | 50004HD00 | | | |
| | Motor 2P, 3- IE2 since 0,75 | 107230060 | 107230080 | 107230150 | 107230500 | 50000RD00 | 50001RD00 | 50002RF00 | 50008VG00 | 50013VE00 |
| | Motor 2P, 3- IE3 since 0,75 | 107230060 | 107230080 | 107230150 | 107230500 | 107240000 | 107240500 | 107241000 | 50008VG00 | 50013VE00 |
| | Motor 2P, 3- IE3 since 0,75 | 107230060 | 107230080 | 107234000 | 107234010 | 107234020 | 50A01RD00 | 50A02RF00 | 50A08VL00 | 50A13VE00 |
| 2 | Adaptor | 161470700 | 161470700 | 161470720 | 161470720 | 161470740 | 161470740 | 161470760 | 161470760 | 161470760 |
| 23 | Lifting bracket | - | - | - | - | - | - | - | - | 161441050 |
| 26 | Coupling | KL10ABC | KL10ABC | KL10ABD | KL10ABD | KL10ABE | KL10ABE | KL10ABF | KL10ABF | KL10ABY |
| 27 | Coupling guard | KL33AAM | KL33AAM | KL33AAN | KL33AAN | KL33AAP | KL33AAP | KL33AAQ | KL33AAQ | KL33AAQ |

Wear Parts kit

| up to model (->) | -> 5SV08 | -> 5SV16 | -> 5SV22 | -> 5SV28 | -> 5SV30 | |
|------------------|------------|----------|----------|----------|----------|---------|
| *34 | Wear parts | KL35AEL | KL35AEM | KL35AEN | KL35AEP | KL35AEQ |

Mech seal Kit : Seal + sleeve OR

| | | | | |
|------|--------------|---------|---------|---------------------------------------|
| *20A | Materials -> | Q1AEGG | KL01AES | Mech seal std Balanced HT D12 + OR HT |
| | | Q1AVGG | KL01AET | |
| | | Q1Q1VGG | KL01AED | |

Common, Single Unit and kit

| | | | |
|-----|-------------------|-----------|----------------|
| 3 | Base | 161431310 | -> 1-3-5SVF-R |
| 4 | Plugs | EPDM HT | KL34AAX |
| | | FPM | KL34AAL |
| 5 | Upper holder | | |
| *9 | Impeller 5SV A304 | 150703620 | |
| 13 | Seal housing disc | 150102920 | |
| 14 | Pump body | 151302400 | -> 5SVF |
| 15 | Diffuser | 152803120 | |
| 17 | First stage box | 152802920 | |
| *21 | OR | EPDM HT | KL02AB5 |
| | | FPM | KL02AA2 |
| 24 | Motor flange | 161050700 | 1-3-5SV 5,5 kW |
| 30 | Bush seal kit | EPDM HT | KL41AA3 |
| | | FPM | KL41AA5 |
| 36 | Final diffuser HT | 152803352 | |

* Recommended spare parts - Parti di ricambio consigliate

* Pièces détachées conseillées - Empfohlene Ersatzteile

** Motor spare parts: see motor lists - Parti di ricambio motore: vedi liste motore

** Pièces détachées Moteur : voir listes moteur - Motor-Ersatzteile: gem. Motorlisten

1-22SVFH_5_June11_EdB

5SV FH 4 Pole

| ELP 4 P | | 5SV03FH0024 | 5SV06FH0024 | 5SV09FH0024 | 5SV12FH0024 | 5SV15FH0034 | 5SV18FH0034 | 5SV21FH0034 | 5SV25FH0054 | 5SV28FH0054 | 5SV33FH0074 |
|---------------|--|-------------|-------------|-------------|-------------|-------------|-------------|-------------|-------------|-------------|-------------|
| F Version | | 1016L368H | 1016L371H | 1016L374H | 1016L377H | 1016L380H | 1016L383H | 1016L386H | 1016L390H | 1016L393H | 1016L398H |
| T(IE1) ~> | | 1016L368H | 1016L371H | 1016L374H | 1016L377H | 1016L380H | 1016L383H | 1016L386H | 1016L390H | 1016L393H | 1016LB521H |
| T(IE1-IE2) ~> | | 1016L368H | 1016L371H | 1016L374H | 1016L377H | 1016L380H | 1016L383H | 1016L386H | 1016L390H | 1016L393H | 1016LB521H |

Single Unit and Kit

| | | | | | | | | | | | |
|----|-------------|------------|------------|------------|------------|------------|------------|------------|------------|------------|------------|
| 10 | Sleeve A304 | 166443050 | 166443110 | 166443170 | 166443230 | 166443290 | 166443350 | 166443410 | 166443490 | 166443550 | 166443650 |
| 11 | Shaft A304 | 165050050B | 165050110B | 165050170B | 165050230B | 165050290B | 165050350B | 165050410B | 165050490B | 165050550B | 165050650B |
| 31 | Tie rods SV | KL22AL8 | KL22AMA | KL22AMC | KL22ALH | KL22AMH | KL22AML | KL22AMM | KL22AMP | KL22AMQ | KL22AMS |

| | | | | | |
|-----|----------------------------|------------------|------------------|-----------|------------------|
| **1 | kW > | 0,25 | 0,37 | 0,55 | 0,75 |
| | Motor 4P,3~ | 107230640 | 107230700 | 107230760 | 107230820 |
| | Motor 4P,3~ IE2 since 0,75 | 107230640 | 107230700 | 107230760 | 107241520 |
| 2 | Adaptor | 161470700 | 161470700 | 161470700 | 161470720 |
| 23 | Lifting bracket | - | - | - | - |
| 26 | Coupling | KL10ABC | KL10ABC | KL10ABC | KL10ABD |
| 27 | Coupling guard | KL33AAM | KL33AAM | KL33AAM | KL33AAN |

Wear Parts kit

| | -> 5SV08 | -> 5SV16 | -> 5SV22 | -> 5SV28 | -> 5SV34 |
|------------------|-----------|-----------|-----------|-----------|-----------|
| up to model (->) | 1 bearing | 2 bearing | 3 bearing | 4 bearing | 5 bearing |
| *34 Wear parts | KL35AEL | KL35AEM | KL35AEN | KL35AEP | KL35AEQ |

Mech seal Kit : Seal + sleeve OR

| | | | | |
|------|--------------|----------------|---------|---------------------------------------|
| *20A | Materials -> | Q1AEGG | KL01AES | Mech seal std Balanced HT D12 + OR HT |
| | | Q1AVGG | KL01AET | |
| | | Q1Q1VGG | KL01AED | |

Common, Single Unit and kit

| | | | | |
|-----|-------------------|---------|-----------|----------------------------|
| 3 | Base | | 161431310 | -> 1-3-5SVF |
| 4 | Plugs | EPDM HT | KL34AAX | Kit common with 1-22SV...B |
| | | FPM | KL34AAL | |
| 5 | Upper holder | | - | |
| *9 | Impeller 5SV A304 | | 150703620 | |
| 13 | Seal housing disc | | 150102920 | |
| 14 | Pump body | | 151302400 | |
| 15 | Diffuser | | 152803120 | |
| 17 | First stage box | | 152802920 | |
| *21 | OR | EPDM HT | KL02AB5 | |
| | | FPM | KL02AA2 | |
| 24 | Motor flange | | - | |
| 30 | Bush seal kit | EPDM HT | KL41AA3 | |
| | | FPM | KL41AA5 | |
| 36 | Final diffuser HT | | 152803352 | |

* Recommended spare parts - Parti di ricambio consigliate

* Pièces détachées conseillées - Empfohlene Ersatzteile

** Motor spare parts: see motor lists - Parti di ricambio motore: vedi liste motore

** Pièces détachées Moteur : voir listes moteur - Motor-Ersatzteile: gem. Motorlisten

1-22SVFH_5_June11_EdB

10SV FH 2 Pole (10SVFH/D: motors IE3 fitted)

| ELP 2P | | | | | | | | | | |
|------------------|--------------------|--------------------|--------------------|--------------------|--------------------|--------------------|--------------------|--------------------|--------------------|--------------------|
| F Version | 10SV01FH007 | 10SV02FH007 | 10SV03FH011 | 10SV04FH015 | 10SV05FH022 | 10SV06FH022 | 10SV07FH030 | 10SV08FH030 | 10SV09FH040 | 10SV10FH040 |
| M-> | 1016L269H | 1016L270H | 1016L271H | 1016L272H | 1016L273H | 1016L274H | | | | |
| T(IE2) -> | 1016L115H | 1016L116H | 1016L117H | 1016L118H | 1016L119H | 1016L120H | 1016LD121H | 1016L122H | 1016L123H | 1016L124H |
| | 1016L115H | 1016L116H | 1016L117H | 1016LA61H | 1016LA62H | 1016LA63H | 1016LA64H | 1016LA65H | 1016L123H | 1016L124H |
| T(IE3) -> | 1016LD15H | 1016LD16H | 1016LD17H | 1016LD18H | 1016LD19H | 1016LD20H | 1016LD21H | 1016LD22H | 1016LD23H | 1016LD24H |
| | 10SV11FH040 | 10SV13FH055 | 10SV15FH055 | 10SV17FH075 | 10SV18FH075 | 10SV20FH075 | | | | |
| M-> | | | | | | | | | | |
| T(IE2) -> | 1016L125H | 1016L127H | 1016L129H | 1016L131H | 1016L132H | 1016L134H | | | | |
| T(IE3) -> | 1016LD25H | 1016LD27H | 1016LD29H | 1016LD31H | 1016LD32H | 1016LD34H | | | | |

Single Unit and Kit

| | | | | | | | | | | | |
|----|--------------|------------|------------|------------|------------|------------|------------|------------|------------|------------|------------|
| 10 | Sleeve F-T | 166444020 | 166444020 | 166444030 | 166444040 | 166444060 | 166444070 | 166444080 | 166444100 | 166444110 | 166444120 |
| | | 166444140 | 166444160 | 166444190 | 166444220 | 166444230 | 166444260 | | | | |
| 11 | Shaft A304 | 165051020B | 165051020B | 165051030B | 165051040B | 165051060B | 165051070B | 165051080B | 165051100B | 165051110B | 165051120B |
| | | 165051140B | 165051160B | 165051190B | 165051220B | 165051230B | 165051260B | | | | |
| 31 | Tie rods SVF | KL22AM2 | KL22AM2 | KL22AB4 | KL22AM4 | KL22AM6 | KL22AM7 | KL22AM8 | KL22ANA | KL22AB9 | KL22ANC |
| | | KL22ANE | KL22ANG | KL22ANL | KL22ANP | KL22ANQ | KL22ANT | | | | |

Motor, Coupling, Motor Adaptor

| | | | | | | | | | | |
|--------------------|------|------|-----|-----|-----|-----|-----|-----|-----|-----|
| Motor power | 0,75 | 0,75 | 1,1 | 1,5 | 2,2 | 2,2 | 3,0 | 3,0 | 4,0 | 4,0 |
| kW > | 4,0 | 5,5 | 5,5 | 7,5 | 7,5 | 7,5 | | | | |

| | | | | | | | | | |
|-----|-----------------------------|-----------|-----------|-----------|-----------|-----------|-----------|-----------|-----------|
| **1 | kW -> | 0,75 | 1,1 | 1,5 | 2,2 | 3,0 | 4,0 | 5,5 | 7,5 |
| | Motor 2 P, 1~ > | 107230100 | 107230120 | 107230180 | 50004HD00 | | | | |
| | Motor 2P,3- IE2 since 0,75k | 107230150 | 107230500 | 50000RD00 | 50001RD00 | 50002RF00 | 50008VG00 | 50013VE00 | 50017VB00 |
| | | 107230150 | 107230500 | 107240000 | 107240500 | 107241000 | 50008VG00 | 50013VE00 | 50017VB00 |
| | Motor 2P,3- IE3 since 0,75k | 107234000 | 107234010 | 107234020 | 50A01RD00 | 50A02RF00 | 50A08VL00 | 50A13VE00 | 50A17VB00 |
| 2 | Adaptor | 161470800 | 161470800 | 161470820 | 161470820 | 161470840 | 161470840 | 161470860 | 161470860 |
| 23 | Lifting bracket | - | - | - | - | - | - | 161441050 | 161441050 |
| 26 | Coupling | KL10ABG | KL10ABG | KL10ABH | KL10ABH | KL10ABK | KL10ABK | KL10ABZ | KL10ABZ |
| 27 | Coupling guard | KL33AAR | KL33AAR | KL33AAS | KL33AAS | KL33AAT | KL33AAT | KL33AAU | KL33AAU |

Wear Parts Kit

| up to model (->) | ->10SV09 | ->10SV16 | ->10SV20 | |
|------------------|------------|----------|----------|---------|
| *34 | Wear parts | KL35AER | KL35AES | KL35AET |

Mechanical seal Kit : Mech seal D16 + OR

| | | | | |
|------|-------------|---------|---------|---|
| *20A | Materials-> | Q1AEGG | KL01AEU | Std -> Seal Q1AEGG - sleeve OR EPDM HT / Balanced : 10-15-22SV < / = 4 kW |
| | | Q1AVGG | KL01AEV | |
| | | Q1Q1VGG | KL01AE4 | |
| *20 | Materials-> | Q1AEGG | KL01AE5 | Std -> Seal Q1AEGG - upper holder OR EPDM HT / Balanced : 10-15-22SV = / > 5,5 kW |
| | | Q1AVGG | KL01AE6 | |
| | | Q1Q1VGG | KL01AD4 | |

Common, Single Unit and Kit

| | | | |
|-----|-----------------------|-----------|------------------------|
| 3 | Base | 161431330 | -> 10SV |
| 4 | Plugs | EPDM HT | KL34AAX |
| | | FPM | KL34AAL |
| 5 | Upper holder | - | Up to 4,0 kW included |
| | | 160103710 | Equal / Over 5,5 kW |
| | | 160103730 | Part with hole for tap |
| *9 | Impeller10 SV A304 | 150703630 | |
| 13 | Seal housing disc | 150102940 | Up to 4,0 kW included |
| | | 150102960 | Equal / Over 5,5 kW |
| 14 | Pump body | 151302450 | |
| 15 | Diffuser | 152803130 | |
| 17 | First stage box | 152802930 | |
| *21 | OR | EPDM HT | KL02AB6 |
| | | FPM | KL02AA5 |
| 24 | Motor flange | - | |
| 30 | Bush seal kit EPDM HT | KL41AA6 | |
| | Bush seal kit FPM | KL41AA7 | |
| 36 | Final diffuser | 152803362 | |

* Recommended spare parts - Parti di ricambio consigliate

* Pièces détachées conseillées - Empfohlene Ersatzteile

** Motor spare parts: see motor lists - Parti di ricambio motore: vedi liste motore

** Pièces détachées Moteur : voir listes moteur - Motor-Ersatzteile: gem. Motorlisten

10SV FH 4 Pole (10SVFH/D: motors IE3 fitted)

| ELP 4P | | | | | | | | | |
|-----------------|-------------|-------------|-------------|-------------|--------------|-------------|-------------|-------------|-------------|
| F Version | 10SV04FH005 | 10SV06FH005 | 10SV08FH005 | 10SV10FH005 | 10SV13FH0074 | 10SV15FH007 | 10SV17FH011 | 10SV19FH011 | 10SV21FH014 |
| T(IE1-IE2) -> | 1016L406H | 1016L408H | 1016L410H | 1016L412H | 1016L415H | 1016L417H | 1016L419H | 1016L421H | 1016L423H |
| T(IE1-IE2-E3)-> | 1016L406H | 1016L408H | 1016L410H | 1016L412H | 1016LB59H | 1016LB61H | 1016LG19H | 1016LG21H | 1016LG23H |

Single Unit and Kit

| | | | | | | | | | | |
|----|--------------|------------|------------|------------|------------|------------|------------|------------|------------|------------|
| 10 | Sleeve F-T | 166444040 | 166444070 | 166444100 | 166444120 | 166444160 | 166444190 | 166444220 | 166444240 | 166444270 |
| 11 | Shaft A304 | 165051040B | 165051070B | 165051100B | 165051120B | 165051160B | 165051190B | 165051220B | 165051270B | 165051270B |
| 31 | Tie rods SVF | KL22AM4 | KL22AM7 | KL22ANA | KL22ANC | KL22ANG | KL22ANL | KL22ANP | KL22ANR | KL22ANU |

Motor, Coupling, Motor Adaptor

| Motor power kW > | 0,55 | 0,55 | 0,55 | 0,55 | 0,75 | 0,75 | 1,1 | 1,1 | 1,1 |
|------------------|------|------|------|------|------|------|-----|-----|-----|
|------------------|------|------|------|------|------|------|-----|-----|-----|

| | | | | |
|-----|-----------------------------|-----------|-----------|-----------|
| **1 | kW -> | 0,55 | 0,75 | 1,1 |
| | Motor 4P,3- IE2 since 1,10k | 107230760 | 107230820 | 50005RD00 |
| | Motor 4P,3- IE3 since 1,10k | 107230760 | 107230760 | 50A05RD00 |
| 2 | Adaptor | 161470700 | 161470800 | 161470800 |
| 23 | Lifting bracket | - | - | - |
| 26 | Coupling | KL10ABC | KL10ABG | KL10ABG |
| 27 | Coupling guard | KL33AAM | KL33AAR | KL33AAR |

Wear Parts Kit

| | ->10SV09 | ->10SV16 | ->10SV21 |
|------------------|-----------|-----------|-----------|
| up to model (->) | 1 bearing | 2 bearing | 3 bearing |
| *34 Wear parts | KL35AER | KL35AES | KL35AET |

Mechanical seal Kit : Mech seal D16 + OR

| | | | | |
|------|-------------|---------|---------|---|
| *20A | Materials-> | Q1AEGG | KL01AEU | Std -> Seal Q1AEGG - sleeve OR EPDM HT / Balanced : 10-15-22SV < / = 4 kW |
| | | Q1AVGG | KL01AEV | |
| | | Q1Q1VGG | KL01AE4 | |

Common, Single Unit and Kit

| | | | | |
|-----|----------------------|-----------|---------|----------------------------|
| 3 | Base | 161431330 | -> 10SV | |
| 4 | Plugs | EPDM HT | KL34AAX | Kit common with 1-22SV...B |
| | | FPM | KL34AAL | |
| 5 | Upper holder | - | | |
| *9 | Impeller10 SV A304 | 150703630 | | |
| 13 | Seal housing disc | 150102940 | | |
| 14 | Pump body | 151302450 | | |
| 15 | Diffuser carbon bush | 152803130 | | |
| 17 | First stage box | 152802930 | | |
| *21 | OR | EPDM HT | KL02AB6 | |
| | | FPM | KL02AA5 | |
| 24 | Motor flange | - | | |
| 30 | Bush seal kit | EPDM HT | KL41AA6 | |
| | | FPM | KL41AA7 | |
| 36 | Final diffuser | 152803362 | | |

* Recommended spare parts - Parti di ricambio consigliate

* Pièces détachées conseillées - Empfohlene Ersatzteile

** Motor spare parts: see motor lists - Parti di ricambio motore: vedi liste motore

** Pièces détachées Moteur : voir listes moteur - Motor-Ersatzteile: gem. Motorlisten

15SV FH 2 Pole (15SVFH/D: motors IE3 fitted)

| ELP 2P | | 15SV01FH01 | 15SV02FH02 | 15SV03FH03 | 15SV04FH04 | 15SV05FH04 | 15SV06FH05 | 15SV07FH05 | 15SV08FH07 | 15SV09FH07 | 15SV10FH10 |
|-----------|-----------|-------------------|-------------------|-------------------|------------|------------|------------|------------|------------|------------|------------|
| F Version | M-> | 1016L278H | 1016L279H | | | | | | | | |
| | T(IE2) -> | 1016L140H | 1016L141H | 1016L142H | 1016L143H | 1016L144H | 1016L145H | 1016L146H | 1016L147H | 1016L148H | 1016L149H |
| T(IE3) -> | | 1016L140H | 1016LA70H | 1016LA71H | 1016L143H | 1016L144H | 1016L145H | 1016L146H | 1016L147H | 1016L148H | 1016L149H |
| | | 1016LD40H | 1016LD41H | 1016LD42H | 1016LD43H | 1016LD44H | 1016LD45H | 1016LD46H | 1016LD47H | 1016LD48H | 1016LD49H |
| | | 15SV11FH10 | 15SV13FH10 | 15SV15FH10 | | | | | | | |
| M-> | | | | | | | | | | | |
| | T(IE2) -> | 1016L150H | 1016L152H | 1016L154H | | | | | | | |
| T(IE3) -> | 1016LD50H | 1016LD52H | 1016LD54H | | | | | | | | |

Single Unit and Kit

| | | | | | | | | | | | |
|----|------------------|------------|------------|------------|------------|------------|------------|------------|------------|------------|------------|
| 10 | Sleeve F - T | 166444030 | 166444030 | 166444050 | 166444070 | 166444090 | 166444110 | 166444130 | 166444150 | 166444170 | 166444190 |
| | | 166444210 | 166444250 | 166444290 | | | | | | | |
| 11 | Shaft A304 | 165051030B | 165051030B | 165051050B | 165051070B | 165051090B | 165051110B | 165051130B | 165051150B | 165051170B | 165051190B |
| | | 165051210B | 165051250B | 165051290B | | | | | | | |
| 31 | Tie rods SVF Kit | KL22AB4 | KL22AB4 | KL22AM5 | KL22AM7 | KL22AM9 | KL22AB9 | KL22AND | KL22ANF | KL22ANH | KL22ANL |
| | | KL22ANN | KL22ANS | KL22ANW | | | | | | | |

Motor, Coupling, Motor Adaptor

| Motor power | 1,1 | 2,2 | 3,0 | 4,0 | 4,0 | 5,5 | 5,5 | 7,5 | 7,5 | 11,0 |
|-------------|------|------|------|-----|-----|-----|-----|-----|-----|------|
| kW > | 11,0 | 11,0 | 15,0 | | | | | | | |

| | | | | | | | | | |
|-----|-------------------------------|------------------|-----------|------------------|-----------|------------------|-----------|------------------|-----------|
| **1 | kW -> | 1,1 | 2,2 | 3,0 | 4,0 | 5,5 | 7,5 | 11,0 | 15,0 |
| | Motor 2 P, 1~> | 107230120 | 50004HD00 | | | | | | |
| | Motor 2P,3~ IE2 since 0,75kW> | 50000RD00 | 50001RD00 | 50002RF00 | 50008VG00 | 50013VE00 | 50017VB00 | 50019VE00 | 50024VB00 |
| | | 107230500 | 107240500 | 107241000 | 50008VG00 | 50013VE00 | 50017VB00 | 50019VE00 | 50024VB00 |
| | Motor 2P,3~ IE3 since 0,75kW> | 107234010 | 50A01RD00 | 50A02RF00 | 50A08VL00 | 50A13VE00 | 50A17VB00 | 50A19VE00 | 50A24VB00 |
| 2 | Adaptor | 161470800 | 161470820 | 161470840 | 161470840 | 161470860 | 161470860 | 161470880 | 161470880 |
| 23 | Lifting bracket | - | - | - | - | 161441050 | 161441050 | 161441060 | 161441060 |
| 26 | Coupling | KL10ABG | KL10ABH | KL10ABK | KL10ABK | KL10ABZ | KL10ABZ | KL10AB0 | KL10AB0 |
| 27 | Coupling guard | KL33AAR | KL33AAS | KL33AAT | KL33AAT | KL33AAU | KL33AAU | KL33AAU | KL33AAU |

Wear Parts Kit

| up to model (->) | ->15SV06 | ->15SV11 | ->15SV15 | |
|------------------|------------|-----------|-----------|-----------|
| *34 | Wear parts | 1 bearing | 2 bearing | 3 bearing |
| | | KL35AEU | KL35AEV | KL35AEW |

Mechanical seal Kit : Mech seal D16 + OR

| | | | | |
|------|-------------|----------------|---------|--|
| *20A | Materials-> | Q1AEGG | KL01AEU | Std -> Seal Q1AEGG - sleeve OR EPDM HT / Balanced : 10-15-22SV < / = 4 kW |
| | | Q1AVGG | KL01AEV | |
| | | Q1Q1VGG | KL01AE4 | |
| *20 | Materials-> | Q1AEGG | KL01AE5 | Std -> Seal Q1AEGG - upper holder OR EPDM HT / Balanced : 10-15-22SV = / > 5,5 kW. |
| | | Q1AVGG | KL01AE6 | |
| | | Q1Q1VGG | KL01AD4 | |

Common, Single Unit and Kit

| | | | |
|-----|-----------------------|-----------|------------------------|
| 3 | Base | 161431350 | -> 15-22SV |
| 4 | Plugs | EPDM HT | KL34AAX |
| | | FPM | KL34AAL |
| 5 | Upper holder | - | Up to 4,0 kW included |
| | | 160103710 | Equal / Over 5,5 kW |
| | | 160103730 | Part with hole for tap |
| *9 | Impeller 15SV A304 | 150703640 | |
| 13 | Seal housing disc | 150102940 | Up to 4,0 kW included |
| | | 150102960 | Equal / Over 5,5 kW |
| 14 | Pump body | 151302600 | |
| 15 | Diffuser | 152803150 | |
| 17 | First stage box | 152802950 | |
| *21 | OR | EPDM HT | KL02AB6 |
| | | FPM | KL02AA5 |
| 24 | Motor flange | - | |
| 30 | Bush seal kit EPDM HT | KL41AA6 | |
| | | KL41AA7 | |
| 36 | Final diffuser | 152803372 | |

* Recommended spare parts - Parti di ricambio consigliate

* Pièces détachées conseillées - Empfohlene Ersatzteile

** Motor spare parts: see motor lists - Parti di ricambio motore: vedi liste motore

** Pièces détachées Moteur : voir listes moteur - Motor-Ersatzteile: gem. Motorlisten

15SV FH 4 Pole (15SVFH/D 4P: motors IE3 fitted)

| ELP 4P | | | | | | | |
|-------------------|-------------|-------------|-------------|-------------|-------------|-------------|-------------|
| F Version | 15SV05FH005 | 15SV07FH007 | 15SV09FH011 | 15SV11FH011 | 15SV13FH015 | 15SV15FH015 | 15SV17FH024 |
| T(IE1-IE2) -> | 1016L432H | 1016L434H | 1016L436H | 1016L438H | 1016L440H | 1016L442H | 1016L444H |
| T(IE1-IE2-IE3) -> | 1016L432H | 1016L434H | 1016LG36H | 1016LG38H | 1016LG40H | 1016LG42H | 1016LG44H |

Single Unit and Kit

| | | | | | | | | |
|----|------------------|------------|------------|------------|------------|------------|------------|------------|
| 10 | Sleeve F - T | 166444030 | 166444030 | 166444050 | 166444070 | 166444090 | 166444110 | 166444130 |
| 11 | Shaft A304 | 165051030B | 165051030B | 165051050B | 165051070B | 165051090B | 165051110B | 165051130B |
| 31 | Tie rods SVF Kit | KL22AB4 | KL22AB4 | KL22AM5 | KL22AM7 | KL22AM9 | KL22AB9 | KL22AND |

Motor, Coupling, Motor Adaptor

| Motor power kW > | 0,55 | 0,75 | 1,1 | 1,1 | 1,5 | 1,5 | 2,2 |
|---------------------|------|------|-----|-----|-----|-----|-----|
|---------------------|------|------|-----|-----|-----|-----|-----|

| | | | | | | |
|-----|-------------------------------|-----------|-----------|-----------|-----------|-----------|
| **1 | kW -> | 0,55 | 0,75 | 1,1 | 1,5 | 2,2 |
| | Motor 4P,3~ IE2 since 1,10kW> | 107230760 | 107241520 | 50005RD00 | 50006RD00 | 50010RD00 |
| | Motor 4P,3~ IE3 since 1,10kW> | 107230760 | 107230820 | 50A05RD00 | 50A06RD00 | 50A10RD00 |
| 2 | Adaptor | 161470800 | 161470800 | 161470800 | 161470820 | 161470840 |
| 23 | Lifting bracket | - | - | - | - | - |
| 26 | Coupling | KL10ABG | KL10ABG | KL10ABG | KL10ABH | KL10ABK |
| 27 | Coupling guard | KL33AAR | KL33AAR | KL33AAR | KL33AAS | KL33AAT |

Wear Parts Kit

| up to model (->) | ->15SV06 | ->15SV11 | ->15SV17 | |
|------------------|------------|-----------|-----------|-----------|
| *34 | Wear parts | 1 bearing | 2 bearing | 3 bearing |
| | | KL35AEU | KL35AEV | KL35AEW |

Mechanical seal Kit : Mech seal D16 + OR

| | | | | |
|------|-------------|---------|---------|---|
| *20A | Materials-> | Q1AEGG | KL01AEU | Std -> Seal Q1AEGG - sleeve OR EPDM HT / Balanced : 10-15-22SV < / = 4 kW |
| | | Q1AVGG | KL01AEV | |
| | | Q1Q1VGG | KL01AE4 | |

Common, Single Unit and Kit

| | | | |
|-----|-----------------------|-----------|------------|
| 3 | Base | 161431350 | -> 15-22SV |
| 4 | Plugs | EPDM HT | KL34AAX |
| | | FPM | KL34AAL |
| 5 | Upper holder | - | |
| *9 | Impeller 15SV A304 | 150703640 | |
| 13 | Seal housing disc | 150102940 | |
| 14 | Pump body | 151302600 | |
| 15 | Diffuser | 152803150 | |
| 17 | First stage box | 152802950 | |
| *21 | OR | EPDM HT | KL02AB6 |
| | | FPM | KL02AA5 |
| 24 | Motor flange | - | |
| 30 | Bush seal kit EPDM HT | KL41AA6 | |
| | | KL41AA7 | |
| 36 | Final diffuser | 152803372 | |

* Recommended spare parts - Parti di ricambio consigliate

* Pièces détachées conseillées - Empfohlene Ersatzteile

** Motor spare parts: see motor lists - Parti di ricambio motore: vedi liste motore

** Pièces détachées Moteur : voir listes moteur - Motor-Ersatzteile: gem. Motorlisten

22SV FH 2 Pole (22SVFH/D: motors IE3 fitted)

| ELP 2P | | 22SV01FH01 | 22SV02FH02 | 22SV03FH03 | 22SV04FH04 | 22SV05FH05 | 22SV06FH07 | 22SV07FH07 | 22SV08FH11 | 22SV09FH11 | 22SV10FH11 |
|-----------|-----------|--------------------|--------------------|--------------------|------------|------------|------------|------------|------------|------------|------------|
| F Version | M-> | 1016L283H | 1016L284H | | | | | | | | |
| | T(IE2) -> | 1016L161H | 1016L162H | 1016L163H | 1016L164H | 1016L165H | 1016L166H | 1016L167H | 1016L168H | 1016L169H | 1016L170H |
| T(IE3) -> | | 1016L161H | 1016LA76H | 1016LA77H | 1016L164H | 1016L165H | 1016L166H | 1016L167H | 1016L168H | 1016L169H | 1016L170H |
| | | 1016LD61H | 1016LD62H | 1016LD63H | 1016LD64H | 1016LD65H | 1016LD66H | 1016LD67H | 1016LD68H | 1016LD69H | 1016LD70H |
| | | 22SV12FH15Q | 22SV14FH15Q | 22SV17FH185 | | | | | | | |
| | M-> | | | | | | | | | | |
| | T(IE2) -> | 1016L172H | 1016L174H | 1016L177H | | | | | | | |
| | T(IE3) -> | 1016LD72H | 1016LD74H | 1016LD77H | | | | | | | |

Single Unit and Kit

| | | | | | | | | | | | |
|----|------------------|------------|------------|------------|------------|------------|------------|------------|------------|------------|------------|
| 10 | Sleeve F-T | 166444030 | 166444030 | 166444050 | 166444070 | 166444090 | 166444110 | 166444130 | 166444150 | 166444170 | 166444190 |
| | | 166444230 | 166444270 | 166444330 | | | | | | | |
| 11 | Shaft A304 | 165051030B | 165051030B | 165051050B | 165051070B | 165051090B | 165051110B | 165051130B | 165051150B | 165051170B | 165051190B |
| | | 165051230B | 165051270B | 165051330B | | | | | | | |
| 31 | Tie rods SVF Kit | KL22AB4 | KL22AB4 | KL22AM5 | KL22AM7 | KL22AM9 | KL22AB9 | KL22AND | KL22ANF | KL22ANH | KL22ANL |
| | | KL22ANQ | KL22ANU | KL22ANX | | | | | | | |

Motor, Coupling, Motor Adaptor

| Motor power kW > | 1,1 | 2,2 | 3,0 | 4,0 | 5,5 | 7,5 | 7,5 | 11,0 | 11,0 | 11,0 |
|------------------|-------------|-------------|------|-----|-----|-----|-----|------|------|------|
| | 15,0 | 15,0 | 18,5 | | | | | | | |

| **1 kW -> | 1,1 | 2,2 | 3,0 | 4,0 | 5,5 | 7,5 | 7,5 | 11,0 | 15,0 | 18,5 |
|-------------------------------|------------------|-----------|------------------|-----------|------------------|-----------|------------------|-----------|-----------|------|
| Motor 2 P, 1~ > | 107230120 | 50004HD00 | | | | | | | | |
| Motor 2P,3~ IE2 since 0,75kW> | 50000RD00 | 50001RD00 | 50002RF00 | 50008VG00 | 50013VE00 | 50017VB00 | 50019VE00 | 50024VB00 | 50025VB00 | |
| | 107230500 | 107240500 | 107241000 | 50008VG00 | 50013VE00 | 50017VB00 | 50019VE00 | 50024VB00 | 50025VB00 | |
| Motor 2P,3~ IE3 since 0,75kW> | 107234010 | 50A01RD00 | 50A02RF00 | 50A08VL00 | 50A13VE00 | 50A17VB00 | 50A19VE00 | 50A24VB00 | 50A25VB00 | |
| 26 Adaptor | 161470800 | 161470820 | 161470840 | 161470840 | 161470860 | 161470860 | 161470880 | 161470880 | 161470880 | |
| 23 Lifting bracket | - | - | - | - | 161441050 | 161441050 | 161441060 | 161441060 | 161441060 | |
| 26 Coupling | KL10ABG | KL10ABH | KL10ABK | KL10ABK | KL10ABZ | KL10ABZ | KL10AB0 | KL10AB0 | KL10AB0 | |
| 27 Coupling guard | KL33AAR | KL33AAS | KL33AAT | KL33AAU | KL33AAU | KL33AAU | KL33AAU | KL33AAU | KL33AAU | |

Wear Parts Kit

| | ->22SV06 | ->22SV11 | ->22SV15 |
|------------------|-----------|-----------|-----------|
| up to model (->) | 1 bearing | 2 bearing | 3 bearing |
| *34 Wear parts | KL35AEU | KL35AEV | KL35AEW |

Mechanical seal Kit : Mech seal D16 + OR

| | | | | |
|------|-------------|----------------|---------|---|
| *20A | Materials-> | Q1AEGG | KL01AEU | Std -> Seal Q1AEGG - sleeve OR EPDM HT / Balanced : 10-15-22SV < / = 4 kW |
| | | Q1AVGG | KL01AEV | |
| | | Q1Q1VGG | KL01AE4 | |
| *20 | Materials-> | Q1AEGG | KL01AE5 | Std -> Seal Q1AEGG - upper holder OR EPDM HT / Balanced : 10-15-22SV = / > 5,5 kW |
| | | Q1AVGG | KL01AE6 | |
| | | Q1Q1VGG | KL01AD4 | |

Common, Single Unit and Kit

| | | | |
|-----|-----------------------|-----------|------------------------|
| 3 | Base | 161431350 | -> 15-22SV |
| 4 | Plugs | EPDM HT | KL34AAX |
| | | FPM | KL34AAL |
| 5 | Upper holder | - | Up to 4,0 kW included |
| | | 160103710 | Equal / Over 5,5 kW |
| | | 160103730 | Part with hole for tap |
| *9 | Impeller 22SV A304 | 150703650 | |
| 13 | Seal housing disc | 150102940 | Up to 4,0 kW included |
| | | 150102960 | Equal / Over 5,5 kW |
| 14 | Pump body | 151302600 | |
| 15 | Diffuser | 152803150 | |
| 17 | First stage box | 152802950 | |
| *21 | OR | EPDM HT | KL02AB6 |
| | | FPM | KL02AA5 |
| 24 | Motor flange | - | |
| 30 | Bush seal kit EPDM HT | KL41AA6 | |
| | | KL41AA7 | |
| 36 | Final diffuser | 152803372 | |

* Recommended spare parts - Parti di ricambio consigliate

** Pièces détachées conseillées - Empfohlene Ersatzteile

** Motor spare parts: see motor lists - Parti di ricambio motore: vedi liste motore

** Pièces détachées Moteur : voir listes moteur - Motor-Ersatzteile: gem. Motorlisten

22SV FH 4 Pole (22SVFH/D 4P: motors IE3 fitted)

| ELP 4P | | | | | | | |
|---------------|-------------|-------------|-------------|-------------|-------------|-------------|--------------|
| F Version | 22SV04FH005 | 22SV06FH011 | 22SV08FH011 | 22SV10FH015 | 22SV12FH022 | 22SV14FH022 | 22SV17FH0304 |
| T(IE1-IE2) -> | 1016L452H | 1016L454H | 1016L456H | 1016L458H | 1016L460H | 1016L462H | 1016L465H |
| T(IE1-IE3) -> | 1016L452H | 1016LG54H | 1016LG56H | 1016LG58H | 1016LG60H | 1016LG62H | 1016LG65H |

Single Unit and Kit

| | | | | | | | |
|---------------------|------------|------------|------------|------------|------------|------------|------------|
| 10 Sleeve F-T | 166444070 | 166444110 | 166444150 | 166444190 | 166444230 | 166444270 | 166444330 |
| 11 Shaft A304 | 165051070B | 165051110B | 165051150B | 165051190B | 165051230B | 165051270B | 165051330B |
| 31 Tie rods SVF Kit | KL22AM7 | KL22AB9 | KL22ANF | 165051190B | 165051230B | 165051270B | 165051330B |

Motor, Coupling, Motor Adaptor

| Motor power kW > | 0,55 | 1,1 | 1,1 | 1,5 | 2,2 | 2,2 | 3,0 |
|---------------------|------|-----|-----|-----|-----|-----|-----|
|---------------------|------|-----|-----|-----|-----|-----|-----|

| **1 kW -> | 0,55 | 1,1 | 1,5 | 2,2 | 3,0 |
|-------------------------------|-----------|-----------|-----------|-----------|-----------|
| Motor 4P,3~ IE2 since 1,10kW> | 107230760 | 50005RD00 | 50006RD00 | 50010RD00 | 50011RD00 |
| Motor 4P,3~ IE3 since 1,10kW> | 107230760 | 50A05RD00 | 50A06RD00 | 50A10RD00 | 50A11RD00 |
| 2 Adaptor | 161470800 | 161470820 | 161470820 | 161470840 | 161470840 |
| 23 Lifting bracket | - | - | - | - | - |
| 26 Coupling | KL10ABG | KL10ABH | KL10ABH | KL10ABK | KL10ABK |
| 27 Coupling guard | KL33AAR | KL33AAS | KL33AAS | KL33AAT | KL33AAT |

Wear Parts Kit

| up to model (->) | ->22SV06 | ->22SV11 | ->22SV17 |
|------------------|----------------------|----------------------|----------------------|
| *34 Wear parts | 1 bearing KL35AEU | 2 bearing KL35AEV | 3 bearing KL35AEW |

Mechanical seal Kit : Mech seal D16 + OR

| | | | |
|-----------------|----------------|---------|---|
| *20 Materials-> | Q1AEGG | KL01AEU | Std -> Seal Q1AEGG - sleeve OR EPDM HT / Balanced : 10-15-22SV < / = 4 kW |
| | Q1AVGG | KL01AEV | |
| | Q1Q1VGG | KL01AE4 | |

Common, Single Unit and Kit

| | | | |
|--------------------------|-------------------|-----------|------------|
| 3 Base | | 161431350 | -> 15-22SV |
| 4 Plugs | EPDM HT | KL34AAX | |
| | FPM | KL34AAL | |
| 5 Upper holder | | - | |
| *9 Impeller 22SV A304 | | 150703650 | |
| 13 Seal housing disc | | 150102940 | |
| 14 Pump body | | 151302600 | |
| 15 Diffuser | | 152803150 | |
| 17 First stage box | | 152802950 | |
| *21 OR | EPDM HT | KL02AB6 | |
| | FPM | KL02AA5 | |
| 24 Motor flange | | - | |
| 30 Bush seal kit EPDM HT | | KL41AA6 | |
| | Bush seal kit FPM | KL41AA7 | |
| 36 Final diffuser | | 152803372 | |

* Recommended spare parts - Parti di ricambio consigliate

* Pièces détachées conseillées - Empfohlene Ersatzteile

** Motor spare parts: see motor lists - Parti di ricambio motore: vedi liste motore

** Pièces détachées Moteur : voir listes moteur - Motor-Ersatzteile: gem. Motorlisten