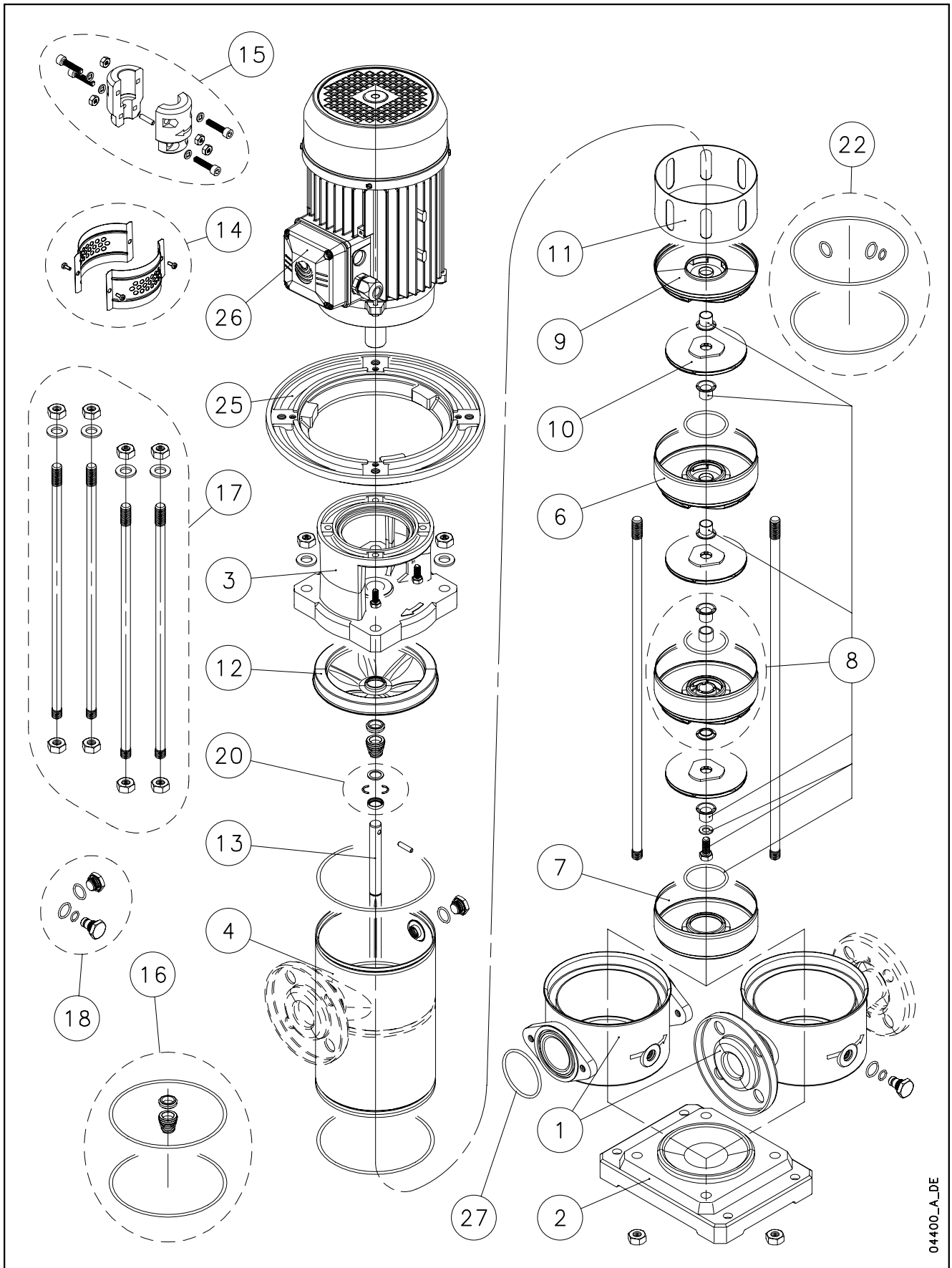


SV2-16 / PX2-16 / GSV2-16 / VR2-16 / 25-50CLM



04400_A_DE

Lowara, Flygt and Vogel Pumpen are a trademark of Xylem Inc. or one of its subsidiaries. Goulds is a registered trademark of Goulds Pumps, Inc. and is used under license.

| N. | Descrizione It | Description en | Description fr | Beschreibung de | Descripción es | Descrição pt |
|----|---------------------------------|--|--------------------------------------|------------------------------------|---|-----------------------------------|
| 1 | Corpo pompa | Pump body | Corps de pompe | Pumpengehäuse | Caja bomba | Corpo da bomba |
| 2 | Base | Basement | Base | Fuß | Base | Base |
| 3 | Lanterna | Adaptor | Lanterne | Motorlaterne | Adaptador | Adaptador |
| 4 | Camicia | Sleeve | Chemise | Gehäuse | Camisa | Camisa |
| 6 | Diffusore | Diffuser | Diffuseur | Diffusor | Difusor | Difusor |
| 7 | Scatola stadio iniziale | Initial stage box | Box premier étage | Erste Stufe Diffusor | Caja etapa inicial | Carcaça primeira célula |
| 8 | Kit parti di usura | Wear parts kit | Kit parties d'usure | Verschleißteile [Satz] | Kit piezas de desgaste | Kit peças desgastáveis |
| 9 | Diffusore finale | Last stage diffuser | Diffuseur dernier étage | Enddiffusor | Difusor final | Difusor final |
| 10 | Girante | Impeller | Roue | Lauftrad | Rodete | Impulsor |
| 11 | Distanziale finale | Last stage spacer | Entretoise dernier étage | End Distanzstück | Espaciador final | Distancial final |
| 12 | Disco porta tenuta | Seal housing plate | Disque de support garniture | Dichtungsdeckel | Disco de alojamiento sello | Disco porta-vedante |
| 13 | Albero | Shaft | Arbre | Welle | Árbol | Veio |
| 14 | Kit protezione giunto | Coupling guard kit | Kit protection manchon | Kupplungsschutz [Satz] | Kit protección junta | Kit protecção junta |
| 15 | Kit coppia di semigiunti | Pair of half coupling kit | Kit paire de demi-manchons | Kupplung [Satz] | Kit par de semijuntas | Kit par de semi-juntas |
| 16 | Kit tenuta meccanica + OR | Mechanical seal + OR kit | Kit garniture mec. + joints toriques | Gleitringdichtung + O-Ring [Satz] | Kit sello mec. + junta tórica | Kit vedante mec. + OR |
| 17 | Kit tiranti | Tie rods kit | Kit tirants | Zugstangen [Satz] | Kit tirantes | Kit tirantes |
| 18 | Tappi | Plugs | Bouchons | Stopfen | Tapones | Tampões |
| 20 | Kit arresto giranti | Impellers stop kit | Kit arrêt roues | Lauftrad halt [Satz] | Kit parada de rodetes | Kit paragem impulsores |
| 22 | Kit guarnizioni OR | O ring kit | Kit joints toriques | Dichtungssatz | Kit juntas tóricas | Kit guarnições OR |
| 25 | Flangia motore | Motor flange | Bride moteur | Motorflansch | Brida motor | Flange motor |
| 26 | Motore | Motor | Moteur | Motor | Motor | Motor |
| 27 | OR flange ovali | Oval flanges OR | Joints toriques brides ovales | Ovale Flansch O-Ring | Aro tórico bridas ovales | OR flanges ovais |
| N. | Descrizione nl | Περιγραφή el | Açıklama tr | Kuvau fi | Описание ru | Opis pl |
| 1 | Pomphuis | Σώμα αντλίας | Pompa gövdesi | Pumpun runko | Корпус насоса | Korpus pompy |
| 2 | Pompvoet | Βάση | Kaide | Perusta | Основание | Podstawa |
| 3 | Lantaarnstuk | Μπρακέτο | Adaptör | Sovitina | Крестовина | Piasta |
| 4 | Mantel | Κέλυφος | Gömlek | Muhvi | Муфта | Plaszcz |
| 6 | Diffusor | Πτερύγιο εκτροπής | Difüzör | Diffuusori | Диффузор | Dyfuzor |
| 7 | Kast eerste trap | Πρώτο πτερύγιο εκτροπής | İlk kademe kutusu | Ensivaiheen laatikko | Коробка начальной стадии | Skrzynka początkowego stadium |
| 8 | Set slijtonderdelen | Σετ δακτυλίων τριβής | Aşınma parçaları kiti | Kulumisiosien sarja | Комплект изнашиваемых частей | Zestaw części podl. zużyciu |
| 9 | Diffusor laatste trap | Τελευταίο πτερύγιο εκτροπής | Son difüzör | Loppuvaiheen diffuusori | Конечный диффузор | Dyfuzor końcowy |
| 10 | Waaier | Πτερύγιο | Pompa çarkı | Juoksupyörä | Рабочее колесо | Wirnik |
| 11 | Afstandstuk laatste trap | Τελικός αποστάτης | Son ara halkası | Loppuvaiheen välilevy | Конечная распорная деталь | Końcowa część dystansowa |
| 12 | Dichtingssteenplaat | Δίσκος μηχανικού στυπιοθλιπτη | Sızdırmazlık elemanı diskisi | Tiivisteen kannatuslevy | Пластина держателя прокладки | Tarcza uszczelki |
| 13 | As | Άξονας | Mil | Akseli | Вал | Wał |
| 14 | Set koppelingsbescherming | Καλύμματα προστασίας σταθερού συνδέσμου | Manşon koruma kiti | Liitoksen suojuussarja | Комплект защиты муфт | Zestaw ochronny złącza |
| 15 | Set koppelingshelften | Σετ σταθερού συνδέσμου | Çift yarım manşon kiti | Liitinsarja | Комплект пары полумуфт | Zestaw pary półzłączy |
| 16 | Set mech. asafdichting + O-ring | Μηχανικός στυπιοθλιπτης και ροδέλες στεγανοποίησης | Mekanik salmastra kiti + O-Ring | Mek. tiiviste + O-rengassarja | Комплект мех.прокладки + OR | Zestaw uszcz.mech. + OR |
| 17 | Set trekstangen | Σετ ράβδων σύνδεσης | Gergi çubuğu kiti | Vetotankosarja | Комплект тяг | Zestaw napinaczy |
| 18 | Pluggen | Σετ ταπών | Tapalar | Tulpat | Пробки | Zatyczki |
| 20 | Waaierstopset | Σετ ασφάλισης πτερυγίων | Pompa çarklarını durdurma kiti | Juoksupyörien pysäytyssarja | Комплект останова рабочих колес | Zestaw do zatrzymywania wirników |
| 22 | Set O-ringafdichtingen | Σετ ροδέλες στεγανοποίησης | O-Ring kiti | O-rengassarja | Комплект кольцевых прокладок OR | Zestaw uszczeliek OR |
| 25 | Motorflens | Μπρακέτο κινητήρα | Motor flanşı | Moottorin laippa | Фланец двигателя | Końnierz silnika |
| 26 | Motor | Πλήρης κινητήρας | Motor | Moottori | Двигатель | Silnik |
| 27 | O-ring ovale flenzen | Ροδέλες στεγανοποίησης οβάλ φλαντζών | Oval flanş O-Ringi | Soikeiden vastalaiipojen O-renkaat | Кольцевые прокладки OR овальных фланцев | Pierścienie OR kołnierzy owalnych |

SV2N/P 2 Pole

| ELP 2 P | | | | | | | | | | |
|----------------------|------------------|------------------|------------------|------------------|------------------|------------------|-----------|-----------|------------|------------|
| N - Version | SV202N03 | SV203N03 | SV204N05 | SV205N07 | SV206N07 | SV207N11 | SV208N11 | SV209N11 | SV211N15 | SV212N15 |
| 1 ~ > | 107390274 | 107390284 | 107390294 | 107390304 | 107390314 | 107390324 | 107390334 | 107390344 | 107390364 | 107390374 |
| 3 ~ > | 107390024 | 107390034 | 107390044 | 107390054 | 107390064 | 107390074 | 107390084 | 107390094 | 107390114 | 107390124 |
| | SV214N22 | SV216N22 | SV218N22 | SV220N30 | SV222N30 | SV224N30 | | | | |
| 1 ~ > | 101500394 | 101500414 | 101500434 | | | | | | | |
| 3 ~ > | 107390144 | 107390164 | 107390184 | 101500204 | 101500224 | 101500244 | | | | |
| Motor power | 0,37 | 0,37 | 0,55 | 0,75 | 0,75 | 1,1 | 1,1 | 1,1 | 1,5 | 1,5 |
| kW -> | 2,2 | 2,2 | 2,2 | 3,0 | 3,0 | 3,0 | | | | |
| Stages number | 2 | 3 | 4 | 5 | 6 | 7 | 8 | 9 | 11 | 12 |
| | 14 | 16 | 18 | 20 | 22 | 24 | | | | |

Single Unit and Kit

| | | | | | | | | | | | |
|------------------------|------------------|-----------|-----------|-----------|-----------|-----------|-----------|---------------------------------|-----------|-----------|-----------|
| 4 | Sleeve N | 156403730 | 156403740 | 156403750 | 156403760 | 156403770 | 156403780 | 156403790 | 156403800 | 156403820 | 156403830 |
| | | 156403850 | 156403870 | 156403890 | 156403910 | 156403930 | 156403950 | | | | |
| 13 | Shaft 316 S.S | 165041820 | 165041830 | 165041840 | 165041850 | 165041860 | 165041870 | 165041880 | 165041890 | 165041910 | 165041920 |
| | | 165041940 | 165041960 | 165041980 | 165042000 | 165042010 | 165042020 | | | | |
| 17 | Tie rods SVN Kit | KL22ACL | KL22ACM | KL22ACN | KL22ACP | KL22ACQ | KL22ACR | KL22ACS | KL22ACT | KL22ACU | KL22ACV |
| | | KL22ACX | KL22ACZ | KL22AC0 | KL22AC1 | KL22AC2 | KL22AC3 | | | | |
| Pump stack SV2N | | 102997704 | 102997714 | 102997724 | 102997734 | 102997744 | 102997754 | 102997764 | 102997774 | 102997784 | 102997794 |
| EPDM | | 102997814 | 102997834 | 102997844 | 102997854 | 102997864 | 102997874 | SVS224V -> Pump stack | | | 102997877 |

Mechanical seal Kit

| | | | | | | | | | | |
|-----|--------------------------|---------------|----------------|---------------|----------------|---------------|----------------|------------------------------|--|--|
| *16 | Materials -> | Q1BEGG | Q1Q1EGG | Q1BVGG | Q1Q1VGG | Q1CTGG | Q1Q1TGG | Std -> Seal Q1BEGG - OR EPDM | | |
| | Mech seal D12+ sleeve OR | KL01AAD | KL01AC7 | KL01AAG | KL01AC9 | KL01ADB | KL01ADD | | | |

Wear Parts Kit

| up to model (- >) | | - > SV208 | - > SV216 | - > SV220 | - > SV224 |
|-------------------|---------------------------|------------------|------------------|------------------|------------------|
| | | 1 bearing | 2 bearing | 3 bearing | 4 bearing |
| *8 | Wear parts incl. OR, EPDM | KL35AAP | KL35AAQ | KL35AAR | KL35AAS |
| | Wear parts incl. OR, FPM | KL35AAZ | KL35AA0 | KL35AA1 | KL35AA2 |
| | Wear parts incl. OR, FEP | KL35AAC | KL35AAD | KL35AAE | KL35AAF |

Common, Single Unit and Kit

| | | | | |
|-----|-------------------------------|-----------|--|---------------------------------|
| 1 | Pump body incl. sleeve spacer | 151301290 | -> SV2 N | |
| 2 | Base | 161430330 | | |
| 6 | Diffuser | 152800900 | | |
| 7 | First stage box | 152801060 | | |
| 9 | Last stage diffuser | 152800990 | | |
| 10 | Impeller SVN | 150702160 | Example. SV207N11M = SV2, 7 Stages, 1,1 kW, 1 ~ | |
| 11 | Last stage spacer | 162502250 | | |
| 12 | Seal housing disc | 160101270 | | |
| 18 | Plugs | EPDM | KL34AAK | |
| | | FPM | KL34AAL | |
| | | FEP | KL34AAM | |
| 20 | Impellers retainer | KL41AAV | | |
| *22 | OR | EPDM | KL02AA1 | All Versions, wear not included |
| | | FPM | KL02AA2 | |
| | | FEP | KL02AA3 | |
| 25 | Motor flange | - | | |

Motor, Coupling, Motor Adaptor

| **26 | kW > | 0,37 | 0,55 | 0,75 | 1,1 | 1,5 | 2,2 | 3,0 |
|------|-----------------|------------------|-----------|------------------|-----------|------------------|-----------|------------|
| | Motor 2P, 1 ~ > | 107230020 | 107230040 | 107230100 | 107230120 | 107230180 | 50004HD00 | |
| | Motor 2P, 3 ~ > | 107230060 | 107230080 | 107230140 | 107230160 | 107230200 | 107230220 | 50002RF00 |
| 3 | Adaptor | 161452701 | 161452701 | 161452711 | 161452711 | 161452721 | 161452721 | 161452731 |
| 14 | Coupling guard | KL33AAD | KL33AAD | KL33AAE | KL33AAE | KL33AAF | KL33AAF | KL33AAG |
| 15 | Coupling | KL10ABC | KL10ABC | KL10ABD | KL10ABD | KL10ABE | KL10ABE | KL10ABF |

* Recommended spare parts

** Motor spare parts: see motor lists

SV2-16N_5_P_Feb08_EdA

SV2N/P 4 Pole

| ELP 4 P, 3 ~ | | | | | | | | | | |
|------------------|-----------|-----------|-----------|-----------|-----------|-----------|-----------|-----------|-----------|-----------|
| N - Version | SV203N024 | SV206N024 | SV209N024 | SV212N024 | SV214N024 | SV216N024 | SV218N034 | SV220N034 | SV222N034 | SV224N034 |
| 3 ~ > | 107391504 | 107391514 | 107391524 | 107391534 | 107391544 | 107391554 | 107391564 | 107391574 | 107391584 | 107391594 |
| Mot. power, kW > | 0,25 | 0,25 | 0,25 | 0,25 | 0,25 | 0,25 | 0,37 | 0,37 | 0,37 | 0,37 |
| Stages number | 3 | 6 | 9 | 12 | 14 | 16 | 18 | 20 | 22 | 24 |

Single Unit and Kit

| | | | | | | | | | | | |
|----------------------|------------------|-----------|-----------|-----------|-----------|-----------|-----------|-----------|-----------|-----------|-----------|
| 4 | Sleeve N | 156403740 | 156403770 | 156403800 | 156403830 | 156403850 | 156403870 | 156403890 | 156403910 | 156403930 | 156403950 |
| 13 | Shaft 316 S.S | 165041830 | 165041860 | 165041890 | 165041920 | 165041940 | 165041960 | 165041980 | 165042000 | 165042010 | 165042020 |
| 17 | Tie rods SVN Kit | KL22ACM | KL22ACQ | KL22ACT | KL22ACV | KL22ACX | KL22ACZ | KL22ACO | KL22AC1 | KL22AC2 | KL22AC3 |
| Pump stack SV2N EPDM | | 102997714 | 102997744 | 102997774 | 102997794 | 102997814 | 102997834 | 102997844 | 102997854 | 102997864 | 102997874 |

Mechanical seal Kit

| | | | | | | | | | |
|-----|---------------------------|--------------|---------|---------|---------|---------|---------|---------|------------------------------|
| *16 | Mech seal D12 + sleeve OR | Materials -> | Q1BEGG | Q1Q1EGG | Q1BVGG | Q1Q1VGG | Q1CTGG | Q1Q1TGG | Std -> Seal Q1BEGG - OR EPDM |
| | | | KL01AAD | KL01AC7 | KL01AAG | KL01AC9 | KL01ADB | KL01ADD | |

Wear Parts Kit

| | | -> SV208 | -> SV216 | -> SV220 | -> SV224 |
|----|---------------------------|-----------|-----------|-----------|-----------|
| | | 1 bearing | 2 bearing | 3 bearing | 4 bearing |
| *8 | Wear parts incl. OR, EPDM | KL35AAP | KL35AAQ | KL35AAR | KL35AAS |
| | Wear parts incl. OR, FPM | KL35AAZ | KL35AA0 | KL35AA1 | KL35AA2 |
| | Wear parts incl. OR, FEP | KL35AAC | KL35AAD | KL35AAE | KL35AAF |

Common, Single Unit and Kit

| | | | |
|-----|-------------------------------|-----------|---|
| 1 | Pump body incl. sleeve spacer | 151301290 | -> SV2N |
| 2 | Base | 161430330 | |
| 6 | Diffuser | 152800900 | |
| 7 | First stage box | 152801060 | |
| 9 | Last stage diffuser | 152800990 | |
| 10 | Impeller SVN | 150702160 | Example. SV206N024 = SV2, 6 Stages, 0,25 kW, 4 Pole |
| 11 | Last stage spacer | 162502250 | |
| 12 | Seal housing disc | 160101270 | |
| 18 | Plugs | EPDM | KL34AAK |
| | | FPM | KL34AAL |
| | | FEP | KL34AAM |
| 20 | Impellers retainer | KL41AAV | |
| *22 | OR | EPDM | KL02AA1 |
| | | FPM | KL02AA2 |
| | | FEP | KL02AA3 |
| | | | All Versions, wear not included |
| 25 | Motor flange | - | |

Motor, Coupling, Motor Adaptor

| | | | |
|-----|-----------------|-----------|-----------|
| *26 | kW > | 0,25 | 0,37 |
| | Motor 4P, 3 ~ > | 107230640 | 107230700 |
| 3 | Adaptor | 161452701 | 161452701 |
| 14 | Coupling guard | KL33AAD | KL33AAD |
| 15 | Coupling | KL10ABC | KL10ABC |

Parts SVN 2-4 with less impellers, 2P - 4P

| | | |
|--|-----------------------------|-----------|
| | Spacer in place of impeller | 162502440 |
| | Last stage diffuser flange | 161002530 |

Parts for SV2 Victaulic , SV2V - SVS2V

| | | |
|---|----------------------------|-----------|
| | Pump body ports Victaulic | 151301550 |
| 2 | Base SV | 161430320 |
| | Base for DPS Pumps Only -> | 161430330 |

Parts for SV2 Clamp, SV2C

| | | |
|---|-----------------------|-----------|
| | Pump body ports Clamp | 251304420 |
| 2 | Base SV | 161430320 |

* Recommended spare parts - Parti di ricambio consigliate

* Pièces détachées conseillées - Empfohlene Ersatzteile

** Motor spare parts: see motor lists - Parti di ricambio motore: vedi liste motore

** Pièces détachées Moteur : voir listes moteur - Motor-Ersatzteile: gem. Motorlisten

SV2-16N_5_P_Feb08_EdA

SV4N/P 2 Pole

| ELP 2 P | | SV402N03 | SV403N05 | SV404N07 | SV405N11 | SV406N11 | SV407N11 | SV408N15 | SV409N15 | SV411N22 | SV413N22 |
|---------------|------|-----------|-----------|-----------|-----------|-----------|-----------|-----------|-----------|-----------|-----------|
| 1 ~ > | | 107390774 | 107390784 | 107390794 | 107390804 | 107390814 | 107390824 | 107390834 | 107390844 | 101500864 | 101500884 |
| 3 ~ > | | 107390524 | 107390534 | 107390544 | 107390554 | 107390564 | 107390574 | 107390584 | 107390594 | 107390614 | 107390634 |
| | | SV414N30 | SV416N30 | SV418N30 | SV420N40 | SV422N40 | SV424N40 | | | | |
| 3 ~ > | | 101500644 | 101500664 | 101500684 | 101500704 | 101500724 | 101500744 | | | | |
| Motor power | 0,37 | 0,55 | 0,75 | 1,1 | 1,1 | 1,1 | 1,5 | 1,5 | 2,2 | 2,2 | |
| kW -> | 3,0 | 3,0 | 3,0 | 4,0 | 4,0 | 4,0 | | | | | |
| Stages number | 2 | 3 | 4 | 5 | 6 | 7 | 8 | 9 | 11 | 13 | |
| | 14 | 16 | 18 | 20 | 22 | 24 | | | | | |

Single Unit and Kit

| | | | | | | | | | | | |
|----|-----------------|-----------|-----------|-----------|-----------|-----------|-----------|-----------------------|-----------|-----------|-----------|
| 4 | Sleeve N | 156403730 | 156403740 | 156403750 | 156403760 | 156403770 | 156403780 | 156403790 | 156403800 | 156403820 | 156403840 |
| | | 156403850 | 156403870 | 156403890 | 156403910 | 156403930 | 156403950 | | | | |
| 13 | Shaft 316 S. S. | 165041820 | 165041830 | 165041840 | 165041850 | 165041860 | 165041870 | 165041880 | 165041890 | 165041910 | 165041930 |
| | | 165041940 | 165041960 | 165041980 | 165042000 | 165042010 | 165042020 | | | | |
| 17 | Tie rods SVN | KL22ACL | KL22ACM | KL22ACN | KL22ACP | KL22ACQ | KL22ACR | KL22ACS | KL22ACT | KL22ACU | KL22ACW |
| | | KL22ACX | KL22ACZ | KL22AC0 | KL22AC1 | KL22AC2 | KL22AC3 | | | | |
| | Pump stack SV4N | 102997904 | 102997914 | 102997924 | 102997934 | 102997944 | 102997954 | 102997964 | 102997974 | 102997984 | 102998004 |
| | EPDM | 102998014 | 102998034 | 102998044 | 102998054 | 102998064 | 102998074 | SVS424V -> Pump stack | | | 102998077 |

Mechanical seal Kit

| | | | | | | | | | | | |
|-----|---------------------------|---------|---------|---------|---------|---------|---------|------------------------------|--|--|--|
| *16 | Materials -> | Q1BEGG | Q1Q1EGG | Q1BVGG | Q1Q1VGG | Q1CTGG | Q1Q1TGG | Std -> Seal Q1BEGG - OR EPDM | | | |
| | Mech seal D12 + sleeve OR | KL01AAD | KL01AC7 | KL01AAG | KL01AC9 | KL01ADB | KL01ADD | | | | |

Wear parts

| | | -> SV408 | -> SV416 | -> SV420 | -> SV424 |
|----|---------------------------|-----------|-----------|-----------|-----------|
| | | 1 bearing | 2 bearing | 3 bearing | 4 bearing |
| *8 | Wear parts incl. OR, EPDM | KL35AAP | KL35AAQ | KL35AAR | KL35AAS |
| | Wear parts incl. OR, FPM | KL35AAZ | KL35AA0 | KL35AA1 | KL35AA2 |
| | Wear parts incl. OR, FEP | KL35AAC | KL35AAD | KL35AAE | KL35AAF |

Common, Single Unit and Kit

| | | | |
|-----|-------------------------------|--------------|---|
| 1 | Pump body incl. sleeve spacer | 151301300 | -> SV4 N |
| 2 | Base | 161430330 | |
| 6 | Diffuser | 152800900 | |
| 7 | First stage box | 152801060 | |
| 9 | Last stage diffuser | 152800990 | |
| 11 | Last stage spacer | 162502250 | |
| 10 | Impeller SVN | 150702170 | Example. SV407N11M = SV4, 7 Stages, 1,1 kW, 1 ~ |
| 12 | Seal housing disc | 160101270 | |
| 18 | Plugs | EPDM KL34AAK | |
| | | FPM KL34AAL | |
| | | FEP KL34AAM | |
| 20 | Impellers retainer | KL41AAV | |
| *22 | OR | EPDM KL02AA1 | |
| | | FPM KL02AA2 | |
| | | FEP KL02AA3 | All Versions, wear OR not included |
| 25 | Motor flange | - | |

Motor, Coupling, Motor Adaptor

| | | | | | | | | | |
|------|-----------------|-----------|-----------|-----------|-----------|-----------|-----------|-----------|-----------|
| **26 | kW -> | 0,37 | 0,55 | 0,75 | 1,1 | 1,5 | 2,2 | 3,0 | 4,0 |
| | Motor 2P, 1 ~ > | 107230020 | 107230040 | 107230100 | 107230120 | 107230180 | 50004HD00 | | |
| | Motor 2P, 3 ~ > | 107230060 | 107230080 | 107230140 | 107230160 | 107230200 | 107230220 | 50002RF00 | 50008VG00 |
| 3 | Adaptor | 161452701 | 161452701 | 161452711 | 161452711 | 161452721 | 161452721 | 161452731 | 161452731 |
| 14 | Coupling guard | KL33AAD | KL33AAD | KL33AAE | KL33AAE | KL33AAF | KL33AAF | KL33AAK | KL33AAK |
| 15 | Coupling | KL10ABC | KL10ABC | KL10ABD | KL10ABD | KL10ABE | KL10ABE | KL10ABF | KL10ABF |

* Recommended spare parts

** Motor spare parts: see motor lists

SV2-16N_5_P_Feb08_Eda

SV4N/P 4 Pole

| ELP 4 P, 3 ~ | SV403N024 | SV406N024 | SV409N024 | SV412N024 | SV414N034 | SV416N034 | SV418N034 | SV420N054 | SV422N054 | SV424N054 |
|---------------|-----------|-----------|-----------|-----------|-----------|-----------|-----------|-----------|-----------|-----------|
| 3 ~ > | 107391624 | 107391634 | 107391644 | 107391654 | 107391664 | 107391674 | 107391684 | 107391694 | 107391704 | 107391714 |
| Motor power | 3 | 6 | 9 | 12 | 14 | 16 | 18 | 20 | 22 | 24 |
| Stages number | 0,25 | 0,25 | 0,25 | 0,25 | 0,37 | 0,37 | 0,37 | 0,55 | 0,55 | 0,55 |

Single Unit and Kit

| | | | | | | | | | | | |
|----------------------|------------------|-----------|-----------|-----------|-----------|-----------|-----------|-----------|-----------|-----------|-----------|
| 4 | Sleeve N | 156403740 | 156403770 | 156403800 | 156403830 | 156403850 | 156403870 | 156403890 | 156403910 | 156403930 | 156403950 |
| 13 | Shaft 316 S. S. | 165041830 | 165041860 | 165041890 | 165041920 | 165041940 | 165041960 | 165041980 | 165042000 | 165042010 | 165042020 |
| 17 | Tie rods SVN Kit | KL22ACM | KL22ACQ | KL22ACT | KL22ACV | KL22ACX | KL22ACZ | KL22AC0 | KL22AC1 | KL22AC2 | KL22AC3 |
| Pump stack SV4N EPDM | | 102997914 | 102997944 | 102997974 | TBD | 102998014 | 102998034 | 102998044 | 102998054 | 102998064 | 102998074 |

Mechanical seal Kit

| | | | | | | | | |
|-----|---------------------------|---------|---------|---------|---------|---------|---------|------------------------------|
| *16 | Materials -> | Q1BEGG | Q1Q1EGG | Q1BVG | Q1Q1VGG | Q1CTGG | Q1Q1TGG | Std -> Seal Q1BEGG - OR EPDM |
| | Mech seal D12 + sleeve OR | KL01AAD | KL01AC7 | KL01AAG | KL01AC9 | KL01ADB | KL01ADD | |

Wear parts

| | -> SV408 | -> SV416 | -> SV420 | -> SV424 | |
|----|---------------------------|-----------|-----------|-----------|---------|
| | 1 bearing | 2 bearing | 3 bearing | 4 bearing | |
| *8 | Wear parts incl. OR, EPDM | KL35AAP | KL35AAQ | KL35AAR | KL35AAS |
| | Wear parts incl. OR, FPM | KL35AAZ | KL35AA0 | KL35AA1 | KL35AA2 |
| | Wear parts incl. OR, FEP | KL35AAC | KL35AAD | KL35AAE | KL35AAF |

Common, Single Unit and Kit

| | | | |
|-----|-------------------------------|-----------|---|
| 1 | Pump body incl. sleeve spacer | 151301300 | -> SV4 N |
| 2 | Base | 161430330 | |
| 6 | Diffuser | 152800900 | |
| 7 | First stage box | 152801060 | |
| 9 | Last stage diffuser | 152800990 | |
| 10 | Impeller SVN | 150702170 | Example. SV406N024 = SV4, 6 Stages, 0,25 kW, 4 Pole |
| 11 | Last stage spacer | 162502250 | |
| 12 | Seal housing disc | 160101270 | |
| 18 | Plugs | EPDM | KL34AAK |
| | | FPM | KL34AAL |
| | | FEP | KL34AAM |
| 20 | Impellers retainer | KL41AAV | |
| *22 | OR | EPDM | KL02AA1 |
| | | FPM | KL02AA2 |
| | | FEP | KL02AA3 |
| | | | All Versions, wear OR not included |
| 25 | Motor flange | - | |

Motor, Coupling, Motor Adaptor

| | | | | |
|------|-----------------|-----------|-----------|-----------|
| **26 | kW > | 0,25 | 0,37 | 0,55 |
| | Motor 4P, 3 ~-> | 107230640 | 107230700 | 107230760 |
| 3 | Adaptor | 161452701 | 161452701 | 161452711 |
| 14 | Coupling guard | KL33AAD | KL33AAD | KL33AAE |
| 15 | Coupling | KL10ABC | KL10ABC | KL10ABD |

Parts SVN 2-4 with less impellers, 2P - 4P

| | | |
|--|-----------------------------|-----------|
| | Spacer in place of impeller | 162502440 |
| | Last stage diffuser flange | 161002530 |

Parts for SV4 Victaulic, SV4V - SVS4V

| | | |
|---|----------------------------|-----------|
| | Pump body ports Victaulic | 151301550 |
| 2 | Base SV | 161430320 |
| | Base for DPS Pumps Only -> | 161430330 |

Parts for SV4 Clamp, SV 4C

| | | |
|---|-----------------------|-----------|
| | Pump body ports Clamp | 251304420 |
| 2 | Base SV | 161430320 |

* Recommended spare parts - Parti di ricambio consigliate

* Pièces détachées conseillées - Empfohlene Ersatzteile

** Motor spare parts: see motor lists - Parti di ricambio motore: vedi liste motore

** Pièces détachées Moteur : voir listes moteur - Motor-Ersatzteile: gem. Motorlisten

SV2-16N_5_P_Feb08_EdA

SV8N/P 2 Pole

| ELP 2P | | SV802N11 | SV803N15 | SV804N22 | SV805N22 | SV806N30 | SV808N40 | SV809N40 | SV811N55 | SV812N55 | SV814N75 |
|---------------|--|-----------|-----------|-----------|-----------|-----------|-----------|-----------|-----------|-----------|-----------|
| 1~> | | 107391224 | 107391234 | 101501244 | 101501254 | | | | | | |
| 3~> | | 107391024 | 107391034 | 107391044 | 107391054 | 101501064 | 101501084 | 101501094 | 101501114 | 101501124 | 101501144 |
| | | SV816N75 | | | | | | | | | |
| 3~> | | 101501164 | | | | | | | | | |
| Motor Power | | 1,1 | 1,5 | 2,2 | 2,2 | 3,0 | 4,0 | 4,0 | 5,5 | 5,5 | 7,5 |
| kw > | | 7,5 | | | | | | | | | |
| Stages number | | 2 | 3 | 4 | 5 | 6 | 8 | 9 | 11 | 12 | 14 |
| | | 16 | | | | | | | | | |

Single Unit and Single Kit

| | | | | | | | | | | | |
|-----------------|----------------|------------------------|-----------------------|-----------|-----------|-----------|-----------|-----------|-----------|-----------|-----------|
| 4 | Sleeve N | 156404120 156404260 | 156404130 | 156404140 | 156404150 | 156404160 | 156404180 | 156404190 | 156404210 | 156404220 | 156404240 |
| 13 | Shaft 316 S.S. | 165042220 165042360 | 165042230 | 165042240 | 165042250 | 165042260 | 165042280 | 165042290 | 165042310 | 165042320 | 165042340 |
| 17 | Tie rods SVN | KL22AC4 KL22ADK | KL22AC5 | KL22AC6 | KL22AC7 | KL22AC8 | KL22ADA | KL22ADB | KL22ADD | KL22ADE | KL22ADG |
| Pump stack SV8N | | 102998104 | 102998114 | 102998124 | 102998134 | 102998144 | 102998164 | 102998174 | 102998194 | 102998204 | 102998224 |
| EPDM | | 102998244 | SVS816V -> Pump stack | | | | | | | | 102998247 |

Mechanical Seal Kit

| | | | | | | | | |
|-----|---------------------------|---------|---------|---------|---------|---------|---------|------------------------------|
| *16 | Materials-> | Q1BEGG | Q1Q1EGG | Q1BVGG | Q1Q1VGG | Q1CTGG | Q1Q1TGG | Std -> Seal Q1BEGG - OR EPDM |
| | Mech seal D16 + sleeve OR | KL01AAE | KL01AC8 | KL01AAH | KL01ADA | KL01ADC | KL01ADE | |

Wear parts

| | | ->SV807 | ->SV812 | ->SV816 |
|----|--------------------------|-----------|-----------|-----------|
| | | 1 bearing | 2 bearing | 3 bearing |
| *8 | Wear parts incl. OR,EPDM | KL35AAT | KL35AAU | KL35AAV |
| | Wear parts incl. OR,FPM | KL35AA3 | KL35AA4 | KL35AA5 |
| | Wear parts incl.OR, FEP | KL35AAG | KL35AAH | KL35AAK |

Common, Single Unit and Kit

| | | | |
|-----|------------------------------|-----------|--|
| 1 | Pump bodyincl. sleeve spacer | 151301330 | -> SV8N |
| 2 | Base | 161430340 | |
| 6 | Diffuser | 152800910 | |
| 7 | First stage box | 152801070 | -> SV8N |
| 9 | Last stage diffuser | 152801000 | |
| 10 | Impeller SVN | 150702180 | Example. SV804N22M = SV8, 4 Stages, 2,2 kW, 1~ |
| 11 | Last stage spacer | 162502270 | |
| 12 | Seal housing disc | 160101280 | |
| 18 | Plugs | EPDM | KL34AAK |
| | | FPM | KL34AAL |
| | | FEP | KL34AAM |
| 20 | Impellers retainer | KL41AAW | |
| *22 | OR | EPDM | KL02AA4 |
| | | FPM | KL02AA5 |
| | | FEP | KL02AA6 |
| | | | All Versions, wear OR not included |
| 25 | Motor flange | - | |

Motor, Coupling, Motor Adaptor

| **26 | kw > | 1,1 | 1,5 | 2,2 | 3,0 | 4,0 | 5,5 | 7,5 |
|------|----------------|-----------|-------------|-------------|-----------|-----------|-----------|-----------|
| | Motor 2 P, 1~> | 107230120 | 107230180 | 53004HD00 | | | | |
| | Motor 2 P, 3~> | 107230160 | 107230200 | 107230220 | 50002RF00 | 50008VG00 | 50013VE00 | 50017VB00 |
| 3 | Adaptor | 161452741 | 16145275/P1 | 16145275/P1 | 161452761 | 161452761 | 161452771 | 161452771 |
| 14 | Coupling guard | KL33AAH | KL33AAG | KL33AAG | KL33AAK | KL33AAK | KL33AAL | KL33AAL |
| 15 | Coupling | KL10ABG | KL10ABH | KL10ABH | KL10ABK | KL10ABK | KL10ABL | KL10ABL |

* Recommended spare parts

** Motor spare parts: see motor lists

SV2-16N_5_P_Feb08_Eda

SV8N/P 4 Pole

| ELP 4 P,3 ~ | SV804N054 | SV806N054 | SV808N054 | SV810N054 | SV812N074 | SV814N074 | SV815N114 | SV816N114 |
|----------------|-----------|-----------|-----------|-----------|-----------|-----------|-----------|-----------|
| 3~> | 107391744 | 107391754 | 107391764 | 107391774 | 107391784 | 107391794 | 101502574 | 101502584 |
| Mot.Power, kW> | 0,55 | 0,55 | 0,55 | 0,55 | 0,75 | 0,75 | 1,1 | 1,1 |
| Stages number | 4 | 6 | 8 | 10 | 12 | 14 | 15 | 16 |

Single Unit and Single Kit

| | | | | | | | | | |
|-----------------------------|------------------|-----------|-----------|-----------|-----------|-----------|-----------|-----------|-----------|
| 4 | Sleeve N | 156404140 | 156404160 | 156404180 | 156404200 | 156404220 | 156404240 | 156404250 | 156404260 |
| 13 | Shaft 316 S.S. | 165042240 | 165042260 | 165042280 | 165042300 | 165042320 | 165042340 | 165042350 | 165042360 |
| 17 | Tie rods SVN Kit | KL22AC6 | KL22AC8 | KL22ADA | KL22ADC | KL22ADE | KL22ADG | KL22ADH | KL22ADK |
| Pump stack SV8N EPDM | | 102998124 | 102998144 | 102998164 | 102998184 | 102998204 | 102998224 | - | 102998244 |

Mechanical Seal Kit

| | | | | | | | | |
|-----|---------------------------|---------------|----------------|---------------|----------------|---------------|----------------|------------------------------|
| *16 | Materials-> | Q1BEGG | Q1Q1EGG | Q1BVGG | Q1Q1VGG | Q1CTGG | Q1Q1TGG | Std -> Seal Q1BEGG - OR EPDM |
| | Mech seal D16 + sleeve OR | KL01AAE | KL01AC8 | KL01AAH | KL01ADA | KL01ADC | KL01ADE | |

Wear parts

| | | ->SV807 | ->SV812 | ->SV816 |
|----|--------------------------|------------------|------------------|------------------|
| | | 1 bearing | 2 bearing | 3 bearing |
| *8 | Wear parts incl. OR,EPDM | KL35AAT | KL35AAU | KL35AAV |
| | Wear parts incl. OR,FPM | KL35AA3 | KL35AA4 | KL35AA5 |
| | Wear parts incl.OR, FEP | KL35AAG | KL35AAH | KL35AAK |

Common, Single Unit and Kit

| | | | |
|-----|------------------------------|-----------|--|
| 1 | Pump bodyincl. sleeve spacer | 151301330 | -> SV 8N |
| 2 | Base | 161430340 | |
| 6 | Diffuser | 152800910 | |
| 7 | First stage box | 152801070 | -> SV8N |
| 9 | Last stage diffuser | 152801000 | |
| 10 | Impeller SVN | 150702180 | Example. SV804N054 = SV8, 4 Stages, 0,55 kW, 4 Pole |
| 11 | Last stage spacer | 162502270 | |
| 12 | Seal housing disc | 160101280 | |
| 18 | Plugs | EPDM | KL34AAK |
| | | FPM | KL34AAL |
| | | FEP | KL34AAM |
| 20 | Impellers retainer | KL41AAW | |
| *22 | OR | EPDM | KL02AA4 |
| | | FPM | KL02AA5 |
| | | FEP | KL02AA6 |
| | | | All Versions, wear OR not included |
| 25 | Motor flange | - | |

Motor, Coupling, Motor Adaptor

| | kW > | 0,55 | 0,75 | 1,1 |
|------|----------------|------------------|-----------|-----------|
| **26 | Motor 4P, 3~> | 107230760 | 107230820 | 50005RD00 |
| 3 | Adaptor | 161452741 | 161452741 | 161452751 |
| 14 | Coupling guard | KL33AAH | KL33AAH | KL33AAG |
| 15 | Coupling | KL10ABG | KL10ABG | KL10ABH |

Parts SV8N with less impellers 2P-4P

| | | |
|--|-----------------------------|-----------|
| | Spacer in place of impeller | 162502450 |
| | Last stage diffuser flange | 161002540 |

Parts for SV8V - Victaulic

| | | |
|---|---------------------------|-----------|
| | Pump body ports Victaulic | 151301560 |
| 2 | Base | 161430350 |

Parts for SV8C - Clamp

| | | |
|---|-----------------------|-----------|
| | Pump body ports Clamp | 251304430 |
| 2 | Base | 161430340 |

* Recommended spare parts - Parti di ricambio consigliate

* Pièces détachées conseillées - Empfohlene Ersatzteile

** Motor spare parts: see motor lists - Parti di ricambio motore: vedi liste motore

** Pièces détachées Moteur : voir listes moteur - Motor-Ersatzteile: gem. Motorlisten

SV16N/P 2 Pole

| ELP 2P | | SV1602N22 | SV1603N30 | SV1604N40 | SV1605N55 | SV1606N55 | SV1607N75 | SV1608N75 | SV1610N110 | SV1612N110 | SV1614N150 |
|---------------------|------------|-----------|-----------|-----------|-----------|-----------|-----------|-----------|------------|------------|------------|
| 1~> | 101501524 | | | | | | | | | | |
| 3~> | 107391324 | 101501334 | 101501344 | 101501354 | 101501364 | 101501374 | 101501384 | 101501404 | 101501424 | 101501444 | |
| | SV1615N150 | | | | | | | | | | |
| 3~> | 101501454 | | | | | | | | | | |
| Motor power kW > | 2,2 | 3,0 | 4,0 | 5,5 | 5,5 | 7,5 | 7,5 | 11,0 | 11,0 | 15,0 | |
| Stages number | 2 | 3 | 4 | 5 | 6 | 7 | 8 | 10 | 12 | 14 | |
| | 15 | | | | | | | | | | |

Single Unit and Single Kit

| | | | | | | | | | | | |
|------------------|-----------------|-----------|-----------|-----------|-----------|-----------|-----------|-----------|------------------------|-----------|-----------|
| 4 | Sleeve N | 156404120 | 156404130 | 156404140 | 156404150 | 156404160 | 156404170 | 156404180 | 156404200 | 156404220 | 156404240 |
| | | 156404250 | | | | | | | | | |
| 13 | Shaft 316 S. S. | 165042220 | 165042230 | 165042240 | 165042250 | 165042260 | 165042270 | 165042280 | 165042300 | 165042320 | 165042340 |
| | | 165042350 | | | | | | | | | |
| 17 | Tie rods SVN | KL22AC4 | KL22AC5 | KL22AC6 | KL22AC7 | KL22AC8 | KL22AC9 | KL22ADA | KL22ADC | KL22ADE | KL22ADG |
| | | KL22ADH | | | | | | | | | |
| Pump stack SV16N | | 102998274 | 102998284 | 102998294 | 102998304 | 102998314 | 102998324 | 102998334 | 102998354 | 102998374 | 102998394 |
| EPDM | | 102998404 | | | | | | | SVS1612V -> Pump stack | | 102998377 |

Mechanical Seal Kit

| | | | | | | | | | | | |
|-----|---------------------------|---------|---------|---------|---------|---------|---------|------------------------------|--|--|--|
| *16 | Materials-> | Q1BEGG | Q1Q1EGG | Q1BVG | Q1Q1VGG | Q1CTGG | Q1Q1TGG | Std -> Seal Q1BEGG - OR EPDM | | | |
| | Mech seal D16 + sleeve OR | KL01AAE | KL01AC8 | KL01AAH | KL01ADA | KL01ADC | KL01ADE | | | | |

Wear parts

| | | ->SV1607 | ->SV1612 | ->SV1616 |
|----|---------------------------|-----------|-----------|-----------|
| | | 1 bearing | 2 bearing | 3 bearing |
| *8 | Wear parts incl. OR, EPDM | KL35AAW | KL35AAX | KL35AAY |
| | Wear parts incl. OR,FPM | KL35AA6 | KL35AA7 | KL35AA8 |
| | Wear parts incl. OR, FEP | KL35AAL | KL35AAM | KL35AAN |

Common, Single Unit and Kit

| | | | |
|-----|------------------------------|--------------------|--|
| 1 | Pump bodyincl. sleeve spacer | 151301340 | -> SV 16 N |
| 2 | Base | 161430350 | |
| 6 | Diffuser | 152800920 | |
| 7 | First stage box | 152801080 | -> SV16N |
| 9 | Last stage diffuser | 152801000 | |
| 10 | Impeller SVN | 150702190 | Example. SV1602N22M = SV16, 2 Stages, 2,2kW, 1 ~ |
| 11 | Last stage spacer | 162502270 | |
| 12 | Seal housing disc | 160101280 | |
| 18 | Plugs | EPDM FPM FEP | KL34AAK KL34AAL KL34AAM |
| 20 | Impellers retainer | | KL41AAW |
| | OR | EPDM FPM | KL02AA4 KL02AA5 |
| *22 | | FEP | KL02AA6 |
| | | | All Versions, wear OR not included |
| 25 | Motor flange | 161050590 | Only for 11,0 - 15,0 kW Motors |

Motor, Coupling, Motor Adaptor

| **26 | kW > | 2,2 | 3,0 | 4,0 | 5,5 | 7,5 | 11,0 | 15,0 |
|------|------------------|-----------|-----------|-----------|-----------|-----------|-----------|-----------|
| | Motor 2 P, 1 ~ > | 50004HD00 | | | | | | |
| | Motor 2 P, 3 ~ > | 107230220 | 50002RF00 | 50008VG00 | 50013VE00 | 50017VB00 | 50019VE00 | 50024VB00 |
| 3 | Adaptor | 161452751 | 161452761 | 161452761 | 161452771 | 161452771 | 161452771 | 161452771 |
| 14 | Coupling guard | KL33AAG | KL33AAK | KL33AAK | KL33AAL | KL33AAL | KL33AAL | KL33AAL |
| 15 | Coupling | KL10ABH | KL10ABK | KL10ABK | KL10ABL | KL10ABL | KL10ABM | KL10ABM |

* Recommended spares

** Motor spares: see motor lists

SV2-16N_5_P_Feb08_Eda

SV16N/P 4 Pole

| ELP 4 P, 3 ~ | | | | | | | | |
|------------------|------------|------------|------------|------------|------------|------------|------------|------------|
| | SV1604N054 | SV1606N074 | SV1608N114 | SV1609N114 | SV1611N154 | SV1613N154 | SV1615N224 | SV1616N224 |
| 3~> | 107391824 | 107391834 | 101502664 | 101502674 | 101502694 | 101502714 | 101502734 | 101502744 |
| Mot. power, kW > | 0,55 | 0,75 | 1,1 | 1,1 | 1,5 | 1,5 | 2,2 | 2,2 |
| Stages number | 4 | 6 | 8 | 9 | 11 | 13 | 15 | 16 |

Single Unit and Single Kit

| | | | | | | | | | |
|--------------------------|------------------|-----------|-----------|-----------|-----------|-----------|-----------|-----------|-----------|
| 4 | Sleeve, N | 156404140 | 156404160 | 156404180 | 156404190 | 156404210 | 156404230 | 156404250 | 156404260 |
| 13 | Shaft 316 S. S. | 165042240 | 165042260 | 165042280 | 165042290 | 165042310 | 165042330 | 165042350 | 165042360 |
| 17 | Tie rods SVN Kit | KL22AC6 | KL22AC8 | KL22ADA | KL22ADB | KL22ADD | KL22ADF | KL22ADH | KL22ADK |
| Imp. stack SV16N EPDM OR | | 102998294 | 102998314 | 102998334 | 102998344 | - | - | 102998404 | - |

Mechanical Seal Kit

| | | | | | | | | |
|-----|---------------------------|---------|---------|---------|---------|---------|---------|------------------------------|
| *16 | Materials-> | Q1BEGG | Q1Q1EGG | Q1BVGG | Q1Q1VGG | Q1CTGG | Q1Q1TGG | Std -> Seal Q1BEGG - OR EPDM |
| | Mech seal D16 + sleeve OR | KL01AAE | KL01AC8 | KL01AAH | KL01ADA | KL01ADC | KL01ADE | |

Wear parts

| up to model (->) | | ->SV1607 | ->SV1612 | ->SV1616 |
|------------------|---------------------------|-----------|-----------|-----------|
| | | 1 bearing | 2 bearing | 3 bearing |
| *8 | Wear parts incl. OR, EPDM | KL35AAW | KL35AAX | KL35AAY |
| | Wear parts incl. OR, FPM | KL35AA6 | KL35AA7 | KL35AA8 |
| | Wear parts incl. OR, FEP | KL35AAL | KL35AAM | KL35AAN |

Common, Single Unit and Kit

| | | | |
|-----|-------------------------------|-----------|---|
| 1 | Pump body incl. sleeve spacer | 151301340 | -> SV 16 N |
| 2 | Base | 161430350 | |
| 6 | Diffuser | 152800920 | |
| 7 | First stage box | 152801080 | -> SV16N |
| 9 | Last stage diffuser | 152801000 | |
| 10 | Impeller SVN | 150702190 | Example. SV1604N054 = SV16, 4 Stages, 0,55 kW, 4 Pole |
| 11 | Last stage spacer | 162502270 | |
| 12 | Seal housing plate | 160101280 | |
| 18 | Plugs | EPDM | KL34AAK |
| | | FPM | KL34AAL |
| | | FEP | KL34AAM |
| 20 | Impellers retainer | KL41AAW | |
| *22 | OR | EPDM | KL02AA4 |
| | | FPM | KL02AA5 |
| | | FEP | KL02AA6 |
| | | | All Versions, wear OR not included |
| 25 | Motor flange | - | |

Motor, Coupling, Motor Adaptor

| **26 | kW > | 0,55 | 0,75 | 1,1 | 1,5 | 2,2 |
|------|-----------------|-----------|-----------|-----------|-----------|-----------|
| | Motor 4P, 3 ~ > | 107230760 | 107230820 | 50005RD00 | 50006RD00 | 50010RD00 |
| 3 | Adaptor | 161452741 | 161452741 | 161452751 | 161452751 | 161452761 |
| 14 | Coupling guard | KL33AAH | KL33AAH | KL33AAG | KL33AAG | KL33AAK |
| 15 | Coupling | KL10ABG | KL10ABG | KL10ABH | KL10ABH | KL10ABK |

Parts SV16N with less impellers, 2P-4P

| | | |
|--|-----------------------------|-----------|
| | Spacer in place of impeller | 162502450 |
| | Last stage diffuser flange | 161002540 |

Parts for SV16V - Victaulic

| | | |
|---|---------------------------|-----------|
| | Pump body ports Victaulic | 151301560 |
| 2 | Base | 161430350 |

Parts for SV16C - Clamp

| | | |
|---|-----------------------|-----------|
| | Pump body ports Clamp | 251304430 |
| 2 | Base | 161430350 |

* Recommended spare parts - Parti di ricambio consigliate

* Pièces détachées conseillées - Empfohlene Ersatzteile

** Motor spare parts: see motor lists - Parti di ricambio motore: vedi liste motore

** Pièces détachées Moteur : voir listes moteur - Motor-Ersatzteile: gem. Motorlisten

SV2-16N_5_P_Feb08_EdA