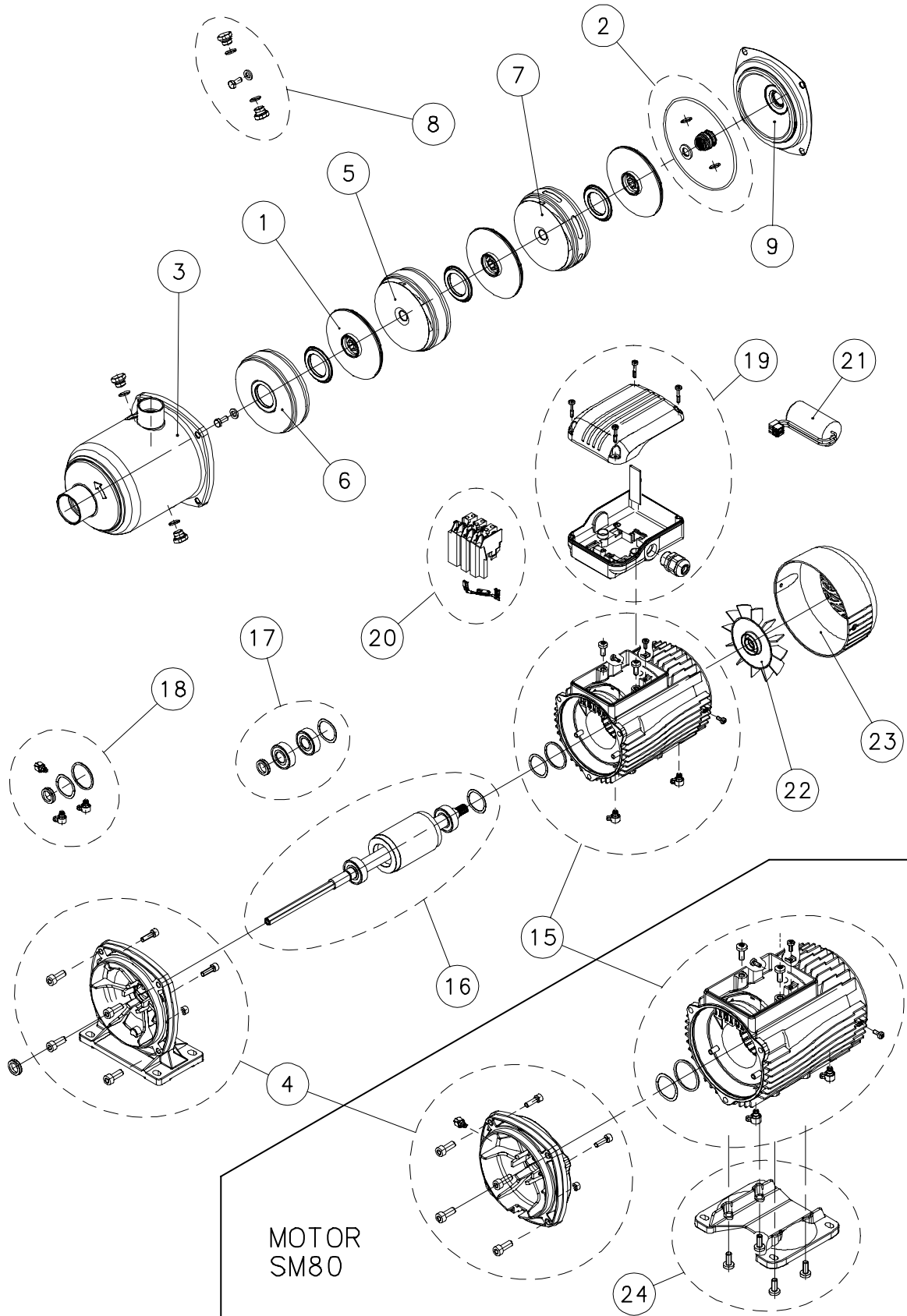


## 1, 3, 5 HM..P

06432\_A\_DE

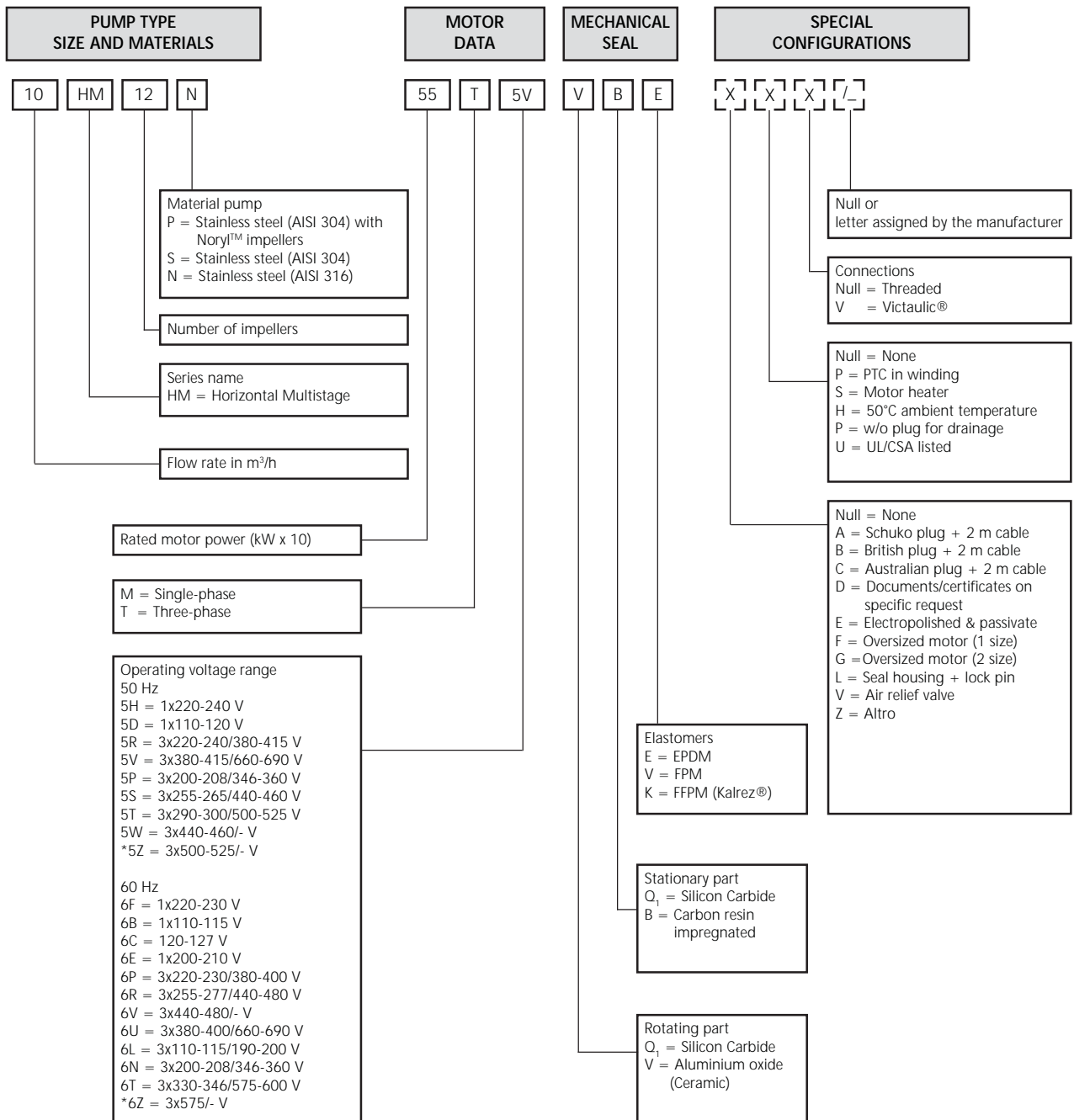


Lowara and Vogel Pumpen are a trademark of Xylem Inc. or one of its subsidiaries. Goulds is a registered trademark of Goulds Pumps, Inc. and is used under license.

N.	Descrizione it	Description en	Description fr	Beschreibung de	Descripción es	Descrição pt
1	Girante	Impeller	Roue	Lauftrad	Rodete	Impulsor
2	Kit tenuta mecc. + OR	Mechanical seal + OR kit	Kit garniture méc. + joints toriques	Gleitringdichtung + OR	Kit sello mec. + junta tórica	Kit Empanque mecanico + O-Ring
3	Corpo pompa	Pump body	Corps de pompe	Pumpengehäuse	Caja bomba	Voluta bomba
4	Lanterna + viti	Adaptor + Screws	Lanterne + Visserie	Passfeder + Schrauben	Adaptador + Tornillos	Adaptador + parafusos
5	Diffusore	Diffuser	Diffuseur	Diffusor	Difusor	Difusor
6	Stadio iniziale	Initial stage	Premier étage	Erste Stufe Diffusor	Etapa inicial	Primeira célula
7	Diffusore finale	Last stage diffuser	Diffuseur dernier étage	End Diffusor	Difusor final	Difusor final
8	Tappi + OR / Vite girante	Plug + ORing / Impeller screw	Bouchon + joint torique / Roue Vie	Stecker + OR / Laufrad Schraube	Tapón + junta tórica / Tornillo de rodete	Bujão + OR / Parafuso do impulsor
9	Disco portatenuta	Seal housing disc	Disque d'étanchéité	Dichtungsscheibe	Disco de alojamiento retén	Disco porta-vedante
15	Cassa statore	Stator housing	Carcasse stator	Statorgehäuse	Carcasa estator	Carcaga estator
16	Albero rotore completo	Shaft rotor complete	Arbre rotor au complet	Rotorwelle Komplete	Eje rotor complete	Rotor completo
17	Cuscinetti - Anelli	Bearings - Rings	Roulements - Anneaux	Lagers - Rings	Cojinetes - Anillos	Rolamentos - Anels
18	Anelli tenuta - Tappi	Oil seals - Plugs	Bagues étanchéité-Bouchons	Abdichtungsringen-Schrauben	Anillos estanqueidad- Tapones	Retentores - Bujões
19	Scatola morsettiera	Terminal box	Boite a bornier	Klemmenkasten	Caja de bornes	Caixa de terminais
20	Morsettiera /Plug in	Terminal block / Plug in	Bornier enfichable / Plug in	Steck-Klemmkasten / Plug in	Place de bornes / Plug in	Terminais / Plug in
21	Condensatore	Capacitor	Condensateur	Kondensator	Condensador	Condensador
22	Ventola	Fan	Ventilateur	Lüfterrad	Ventilador	Ventilador
23	Copriventola	Fan cover	Couvercle de ventilateur	Lüfterradhaube	Tapa ventilador	Cobertura do ventilador
24	Piede motore	Motor foot	Pied de moteur	Motorfuß	Pie del motor	Pé do motor
N.	Beschrijving nl	Περιγραφή el	Açıklama tr	Kuvaus fi	Описание ru	Opis pl
1	Waaier	Φτερωτές στροφέιο	Pompa rotorun	Juoksupyörän	импеллер	Wirnik
2	Kit mech. afdichting + O-ring	Μηχανική σφραγίδα στεγανότητας Σετ + OR	Mekanik salmastra kiti + O-Ring	Mek. akselitiivist + O-rengassarja	Комплект мех. печать + OR	Zestaw uszczelniający mech. + OR
3	Pomphuis	Αντλί πλαίσια επένδυση	Pompa gövdesi	Pumpu kotelo	Корпус насоса	Korpus pompy
4	Lantaarnstuk met schroeven	προσαρμογέα + βιδών	Adaptör + Vida	Adaptér + Ruuvi	адаптер + винтов	Piasta + łączników gwintowych
5	Diffusor	διαχυτήρας	Difüzör	Diffuusioyksikön	Диффузор	Dyfuzor
6	Eerste trap	Πρώτο στάδιο	Ilk kademe	Ensivaihe	начальной стадии	Dyfuzor Początkowa
7	Diffusor laatste trap	Τελικός διαχυτήρας	Son difüzör	Loppuvaiheen diffuusori	Концевой диффузор	Dyfuzor końcowy
8	Pluggen + OR /Waaier schroef	Πώμα + OR / βιδών στροφέιο	Fişi + O-Ring / Rotorunu vida	Tulppa + Oring / Juoksupyörän ihmishenkiä	штпсель + OR / импеллер винтов	Zatyczka + OR / Śrubowy wirnika
9	Dichtingssteunplaat	Δίσκος μηχανικού στυπιοθλίπτη	Sızdırmazlık diskı	Tiivisteen kannatuslevy	Диск держателя прокладки	Tarcza uszczelki
15	Statorhuis	Έδρα κατοίκι	Statör karteri	Staattoni kaapit	Корпус статора	Stator Nadawcza
16	Rotor as compleet	επάνω και το κάτω μέρος του	Rotor mili	Roottoni akseli	ось ротора	Walek kompletny (z rotorem)
17	Lagers - Ringen	Τριβεία- δακτύλιοι	Rulmanlar - Ringes	Laakeri - Rengas	Подшипник - кольцами	Łożyska – pierścienie
18	Zegel ringen - Vulpluggen	πετρελαίου παρεμβύσματα - πώμα	Fok ringes - Burg/mafsal	Öljy tiivisteet - Tulppa	прокладки для нефти - штпсели	Uszczelka olejowa – zatyczki
19	Kabelkast	Πινακές τερματικών	Terminal Kutu	Liitinkotelon kansi	соединители коробка	Skrzynka zaciskowa
20	Klemmenbord / Plug in	Τερματικές μονάδες / Plug in	Kaide bacaklar / Plug in	Liitinalusta / Plug in	контактная колодка / Plug in	Podstawa ze sworzeniami Plug in
21	Condensator	πυκνωτ	Kondansatör	Kondensaattori	конденсатор	Kondensator
22	Ventilator	Ανεμιστήρ	Vantilatör	Tuuletin	вентилятор	Wentylator
23	Ventilatorkap	Ανεμιστήρ Ελάσματα κάλυψης	Vantilatör kapağı	Tuuletin kante	вентилятор крышка	Osona wentylatora
24	Motor voet	Πόδι κινητήρα	Makina ayak	Moottori jalka	Корпус статора + двигатель стопы	Silnik noga mebla



## e-HM™ SERIES IDENTIFICATION CODE



EXAMPLE: 10HM12N55T5VQBE  
HM series electric pump, flow rate 10 m³/h, number of impellers 12, N version (AISI 316), rated motor power 5,5 kW, three-phase 50 Hz, voltage 380-415/660-690 V, Silicon/Carbide/EPDM mechanical seal.

\* For uses other than EN 60335-2-41.  
For special configurations please contact the sales network.



## 1HM..P

ELP 2 P					
ELP 1-, 220-240V 50Hz ->	-	1HM03P05M	1HM04P05M	1HM05P05M	1HM06P07M
	-	104600520	104600530	104600540	104600550
ELP 3-, 230-400V 50Hz ->	1HM02P03T	1HM03P03T	1HM04P04T	1HM05P05T	1HM06P07T
	104600010	104600020	104600030	104600040	104600050
Stages number ->	2	3	4	5	6
kW ->	-	0.50	0.50	0.50	0.75
	0.30	0.30	0.40		

### Pump

#### Kit

*2	Mech seal D14 +OR ->	VBE	KL01AE9	Std -> Seal VBE - OR EPDM	
		QBE	KL01AFA		
		QQE	KL01AFB		
		VBV	KL01AFC		
		QBV	KL01AFD		
		QQV	KL01AFE		
		QBK	KL01AFU		
		QQK	KL01AFV	1-5HM Compact Design	
OR EPDM OR FPM OR FFKM		KL02ACD			
		KL02ACG			
		KL02ACL			
8	Plugs S.S. EPDM + imp. screw	KL34AAZ			
	Plugs S.S. FPM + imp. screw	KL34AA2			
	Plugs S.S. FFKM + imp. screw	KL34AA5			

#### Single Unit

*1	Impeller Noryl 1HMP	150760600	150760600	150760600	150760600	150760600
3	Pump body	151302720	151302720	151302720	151302720	151302720
5	Diffuser	152803110	152803110	152803110	152803110	152803110
		1	1	2	3	4
6	First stage diffuser	152803500				
7	Last stage diffuser w/slots	152803480				
9	Seal housing disc with wing	150104120				

### Motor

#### Kit

4	Adaptor w/screws	-	KL21AAM	KL21AAM	KL21AAM	KL21AAM
		KL21AAM	KL21AAM	KL21AAM	KL21AAM	KL21AAP
15	Motor casing + Stator	-	KL25AA4	KL25AA6	KL25AA6	KL25AAE
		KL25AA5	KL25AA5	KL25AAB	KL25AA8	KL25ADD
16	Shaft rotor complete hexagon	-	KL09ACT	KL09ACW	KL09ACY	KL09AC1
		KL09ACR	KL09ACR	KL09ACV	KL09ACY	KL09ADK
17*	Bearings - Rings	-	KL11AAA	KL11AAA	KL11AAA	KL11AAA
	Bearings Type	6202/6202				
	Bearings - Rings	KL11AAA	KL11AAA	KL11AAA	KL11AAA	KL11AAU
	Bearings Type	6202/6202	6204/6204HE			
18*	Oil seals - Plugs	KL03ABP	KL03ABP	KL03ABP	KL03ABP	KL03ABP
19	Terminal box	-	KL30AAA	KL30AAA	KL30AAA	KL30AAA
		KL30AAA	KL30AAA	KL30AAA	KL30AAA	KL30AAA
23	Fan cover w/screws	-	KL29AAC	KL29AAC	KL29AAC	KL29AAD
		KL29AAC	KL29AAC	KL29AAC	KL29AAC	KL29AAE
24	Motor Foot	-	-	-	-	-
		-	-	-	-	KL23AAD

#### Single Unit

20	T-block 1 - (Plug in /MP)	-	158160640	158160640	158160640	158160680
	T-block 3 - (Plug in)	158160280	158160280	158160280	158160280	158160280
21	Capacitor 1 - uF ->	-	150990430	150990430	150990430	150990440
		-	16	16	16	20
22	Fan SM63 - 80	-	140760150	140760150	140760150	140760150
		140760150	140760150	140760150	140760150	140760160

\* Recommended spare parts - Parti di ricambio consigliate

\* Pièces détachées conseillées - Empfohlene Ersatzteile

## 3HM..P

ELP 2 P					
ELP 1~, 220-240V 50Hz ->	3HM02P05M	3HM03P05M	3HM04P05M	3HM05P07M	3HM06P09M
	104600630	104600640	104600650	104600660	104600670
ELP 3~, 230-400V 50Hz ->	3HM02P03T	3HM03P04T	3HM04P05T	3HM05P07T	3HM06P11T
	104600130	104600140	104600150	104600160	104600170
<b>Stages number -&gt;</b>	2	3	4	5	6
<b>kW -&gt;</b>	<b>0.50</b>	<b>0.50</b>	<b>0.50</b>	<b>0.75</b>	<b>0.95</b>
	<b>0.30</b>	<b>0.40</b>			<b>1.10</b>

### Pump

### Kit

*2	Mech seal D14 +OR ->	<b>VBE</b>	KL01AE9	Std -> Seal VBE - OR EPDM
		<b>QBE</b>	KL01AFA	
		<b>QQE</b>	KL01AFB	
		<b>VBV</b>	KL01AFC	
		<b>QBV</b>	KL01AFD	
		<b>QQV</b>	KL01AFE	
		<b>QBK</b>	KL01AFU	
		<b>QKQ</b>	KL01AFV	
	OR EPDM	KL02ACD		
	OR FPM	KL02ACG		
	OR FFKM	KL02ACL		
8	Plugs S.S. EPDM + imp. screw	KL34AAZ		
	Plugs S.S. FPM + imp. screw	KL34AA2		
	Plugs S.S. FFKM + imp. screw	KL34AA5		

### Single Unit

*1	Impeller Noryl 3HMP	150760610	150760610	150760610	150760610	150760610
3	Pump body	151302720	151302720	151302730	151302740	151302750
5	Diffuser	152803110	152803110	152803110	152803110	152803110
		1	1	2	3	4
6	First stage diffuser	152803500				
7	Last stage diffuser w/slots	152803480				
9	Seal housing disc with wing	150104120				

### Motor

### Kit

4	Adaptor w/screws	KL21AAM	KL21AAM	KL21AAM	KL21AAN	KL21AAN
		KL21AAM	KL21AAM	KL21AAM	KL21AAP	KL21AAP
15	Motor casing + Stator	KL25AA4	KL25AA4	KL25AA4	KL25AAE	KL25AAG
		KL25AA5	KL25AAB	KL25AA8	KL25ADD	KL25ADF
16	Shaft rotor complete hexagon	KL09ACT	KL09ACT	KL09ACW	KL09ACZ	KL09AC2
		KL09ACR	KL09ACS	KL09ACW	KL09ADF	KL09ADL
17*	Bearings - Rings	KL11AAA	KL11AAA	KL11AAA	KL11AAA	KL11AAB
		6202/6202				
	Bearings - Rings	KL11AAA	KL11AAA	KL11AAA	KL11AAU	KL11AAU
		6202/6202				6204/6204HE
18*	Oil seals - Plugs	KL03ABP	KL03ABP	KL03ABP	KL03ABP	KL03ABP
19	Terminal box	KL30AAA	KL30AAA	KL30AAA	KL30AAA	KL30AAB
		KL30AAA	KL30AAA	KL30AAA	KL30AAA	KL30AAB
23	Fan cover w/screws	KL29AAC	KL29AAC	KL29AAC	KL29AAD	KL29AAD
		KL29AAC	KL29AAC	KL29AAC	KL29AAE	KL29AAE
24	Motor Foot	-	-	-	-	KL23AAD
		-	-	-	KL23AAD	KL23AAD

### Single Unit

20	T-block 1 ~ (Plug in /MP)	158160600	158160620	158160640	158160680	158160700
		158160280	158160280	158160280	158160280	158160280
21	Capacitor 1 ~	150990430	150990430	150990430	150990440	150990450
		uF->	16	16	16	20
22	Fan SM63 - 80	140760150	140760150	140760150	140760150	140760150
		140760150	140760150	140760150	140760160	140760160

\* Recommended spare parts - Parti di ricambio consigliate

\* Pièces détachées conseillées - Empfohlene Ersatzteile

1-5HM(P)\_5\_August13\_EdE

## 5HM..P

ELP 2 P					
ELP 1~, 220-240V 50Hz ->	5HM02P05M	5HM03P05M	5HM04P07M	5HM05P09M	5HM06P11M
	104600750	104600760	104600770	104600780	104600790
ELP 3~, 230-400V 50Hz ->	5HM02P04T	5HM03P05T	5HM04P11T	5HM05P11T	5HM06P15T
	104600250	104600260	104600270	104600280	104600290
Stages number ->	2	3	4	5	6
kW ->	0.50	0.50	0.75	0.95	1.10
	0.40		1.10	1.10	1.50

### Pump

#### Kit

*2	Mech seal D14 +OR ->	VBE	KL01AE9	Std -> Seal VBE - OR EPDM
		QBE	KL01AFA	
		QQE	KL01AFB	
		VBV	KL01AFC	
		QBV	KL01AFD	
		QQV	KL01AFE	
		QBK	KL01AFU	
		QKK	KL01AFV	
	OR EPDM	KL02ACD		
	OR FPM	KL02ACG		
	OR FFKM	KL02ACL		
8	Plugs S.S. EPDM + imp. screw	KL34AAZ		
	Plugs S.S. FPM + imp. screw	KL34AA2		
	Plugs S.S. FFKM + imp. screw	KL34AA5		

#### Single Unit

*1	Impeller Noryl 5HMP	150760620	150760620	150760620	150760620	150760620
3	Pump body	151302810	151302810	151302810	151302810	151302810
5	Diffuser	152803110	152803110	152803110	152803110	152803110
		1	1	2	3	4
6	First stage diffuser	152803500				
7	Last stage diffuser w/slots	152803480				
9	Seal housing disc with wing	150104120				

### Motor

#### Kit

4	Adaptor w/screws	KL21AAM	KL21AAM	KL21AAN	KL21AAN	KL21AAP
		KL21AAM	KL21AAM	KL21AAP	KL21AAP	KL21AAP
15	Motor casing + Stator	KL25AA4	KL25AA6	KL25AAE	KL25AAG	KL25AAL
		KL25AAB	KL25AA8	KL25ADD	KL25ADF	KL25ADH
16	Shaft rotor complete hexagon	KL09ACT	KL09ACT	KL09ACX	KL09AC0	KL09AC3
		KL09ACS	KL09ACT	KL09ADB	KL09ADG	KL09ADM
17*	Bearings - Rings	KL11AAA	KL11AAA	KL11AAB	KL11AAB	KL11AAU
		6202/6202		6202/6302		6204/6204HE
	Bearings - Rings	KL11AAA	KL11AAA	KL11AAU	KL11AAU	KL11AAU
		6202/6202		6204/6204HE		
18*	Oil seals - Plugs	KL03ABP	KL03ABP	KL03ABP	KL03ABP	KL03ABP
19	Terminal box	KL30AAA	KL30AAA	KL30AAA	KL30AAB	KL30AAB
		KL30AAA	KL30AAA	KL30AAA	KL30AAA	KL30AAA
23	Fan cover w/screws	KL29AAC	KL29AAC	KL29AAD	KL29AAD	KL29AAE
		KL29AAC	KL29AAC	KL29AAE	KL29AAE	KL29AAE
24	Motor Foot	-	-	-	-	KL23AAD
		-	-	-	KL23AAD	KL23AAD

#### Single Unit

20	T-block 1 ~ (Plug in /MP)	158160640	158160640	158160680	158160700	158160500
		158160280	158160280	158160280	158160280	158160280
21	Capacitor 1 ~	150990430	150990430	150990440	150990450	150990460
		uF->	16	16	20	25
22	Fan SM63 - 80	140760150	140760150	140760150	140760150	140760160
		140760150	140760150	140760160	140760160	140760160

\* Recommended spare parts - Parti di ricambio consigliate

\* Pièces détachées conseillées - Empfohlene Ersatzteile

1-5HM(P)\_5\_August13\_EdE