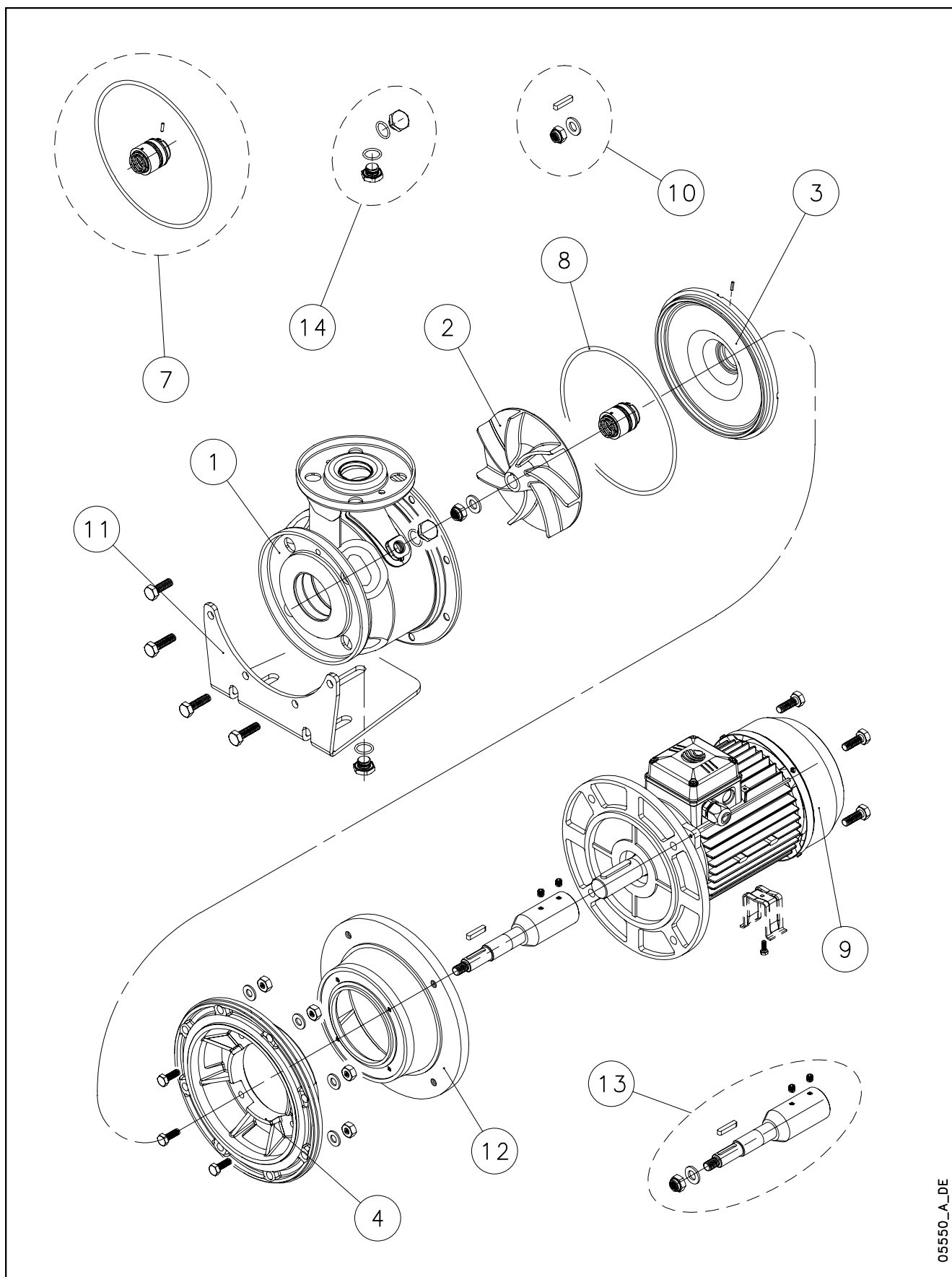


SHOS - SHOS4



05550_A_DE

Lowara, Vogel Pumpen are trademarks of Xylem Inc. or one of its subsidiaries.
Goulds is a registered trademark of Goulds Pumps, Inc. and is used under license.

N.	Descrizione it	Description en	Description fr	Beschreibung de	Descripción es	Descrição pt
1	Corpo pompa completo	Complete pump body	Corps de pompe complete	Kompletter pumpengehäuse	Caja bomba completa	Corpo da bomba complete
2	Girante	Impeller	Roue	Lauftrad	Rodete	Impulsor
3	Disco portatenuta	Seal housing disc	Disque de support garniture	Dichtungsgehäusescheibe	Disco de alojamiento sello	Disco porta-vedante
4	Lanterna	Adaptor	Lanterne	Antriebslaterne	Adaptador	Adaptador
7	Tenuta meccanica e guarnizione OR	Mechanical seal and O-Ring	Garniture mécanique et joint torique	Gleitringdichtung und O-Ring	Retén mecánico y aro tórico	Vedante mecánico e vedação OR
8	Guarnizione OR	O-Ring	Joint torique	O-Ring	Aro tórico	Vedação OR
9	Motore completo	Complete motor	Moteur complet	Kompletter Motor	Motor completo	Motor complete
10	Gruppo fissaggio girante (dado, rosetta e linguetta)	Impeller locking group (nut, washer and key)	Groupe de fixation roue (ecrou, rondelle et clavette)	Befestigungsgruppe Laufrads auf (Feststellmutter, Unterlegscheibe und Passfeder)	Grupo de fijación rodete (tuerca, arandela y lengüeta)	Grupo de fixação do impulsor (porca, anilha e lingueta)
11	Piede di sostegno	Support foot	Pied d'appui	Stützfuß	Pie de soporte	Pé de apoio
12	Raccordo motore	Motor connector	Raccord moteur	Motoranschluss	Acoplamiento motor	Conexão motor
13	Giunto con gruppo fissaggio girante	Coupling with impeller locking group	Manchon avec groupe de fixation roue	Kupplung mit Befestigungsgruppe Laufrad	Junta con grupo de fijación rodete	Junta com grupo de fixação do impulsor
14	Kit tappi	Plug kit	Kit bouchons	Verschlusschrauben-Kit	Kit tapones	Kit tampões
N.	Beschrijving nl	Περιγραφή el	Açıklama tr	Kuvaus fi	Описание ru	Opis pl
1	Compleet pomphuis	Πλήρες σώμα αντλίας	Komple pompa gövdesi	Täydellinen pumpun runko	Полный корпус насоса	Kompletny korpus pompy
2	Waaier	Πτερόγιο	Pompa rotoru	Juoksupyörä	Рабочее колесо	Wirnik
3	Dichtingssteenplaat	Δίσκος μηχανικού στυπιοθλίπτη	Conta tutucu disk	Tiivisteura Levy	Диск держатель прокладки	Tarcza uszczelki
4	Lantaarnstuk	Μπρακέτο	Adaptör	Sovitin	Адаптер	Lampa
7	Mechanische asafdichting en O-ringafdichting	Μηχανικός στυπιοθλίπτης και ροδέλες στεγανοποίησης	Mekanik conta ve O-Ring	Mekaaninen tiiviste ja O-rengas	Механическая прокладка и уплотнение OR	Uszczelnienie mechaniczne i uszczelka O-Ring
8	O-ringafdichting	Ροδέλα στεγανοποίησης	O-Ring	O-rengas	Прокладка OR	Uszczelka O-Ring
9	Complete motor	Πλήρης κινητήρας	Komple motor	Täydellinen moottori	Укомплектованный двигатель	Kompletny silnik
10	Waaierbevestigingsblok (moer, ring en spie)	Σετ ασφάλισης περυγίου (παξιμάδι, ροδέλα, σφήνα)	Pompa rotorunu sabitleme takımı (somun, rondela ve kama)	Juoksupyörän kiinnityskokonaisuus (mutteri, välirengas ja kiila)	Узел фиксации рабочего колеса (гайка, шайба и шпонка)	Zespół mocujący wirnika (nakrętka, podkładka i wpust)
11	Steunpoot	Πέλμα στήριξης	Destek ayağı	Tukijalka	Опорная ножка	Nóżka wspornikowa
12	Motorverbinding	Μπρακέτο κινητήρα	Motor bağlantı elemanı	Moottoriliitos	Патрубок двигателя	Złącza silnika
13	Koppeling met waaierbevestigingsblok	Προέκταση άξονα και σετ ασφάλισης περυγίου	Pompa rotorunu sabitleme takımı ile mafsal	Liitos juoksupyörän kiinnityskokonaisuudella	Соединение с узлом фиксации рабочего колеса	Złącze z zespołem mocującym wirnika
14	Stoppenset	Σετ ταπών	Tapa kiti	Tulppasarja	Набор пробок	Zestaw zatyczek

SHOS 25/P -SHOS4 25/P

	25-125/11	25-125/15	25-125/22	25-160/30/P	25-160/40/P	25-160/55/P	25-200/30/P	25-200/40/P	25-200/55/P
ELP 3 ~, 2P	107511500	107511510	107511520	101351530	101351540	101351550	101351560	101351570	101351580
kw->	1,1	1,5	2,2	3,0	4,0	5,5	3,0	4,0	5,5
ELP 3 ~, 4P	TBD	TBD	107511620	107511630	107511640	107511650	TBD	TBD	107511680
kw->	0,25	0,25	0,37	0,37	0,55	0,75	0,37	0,55	0,75

Kit

7*	Material-->	Q1Q1VGG	Q1BVGG	Q1Q1EGG	Mech. Seal D:22 - OR 158/189/221	
	Mech. Seal D22 + OR	KL01ACN	KL01ADF	KL01ACW	2P->200/55; 4P->200/07	STD -> Seal Q1Q1VGG - OR FPM
8*	OR FPM Kit	KL02ABA				
	OR EPDM Kit	KL02ABB				
10	Imp.Locking kit M12	KL39AAA				
13	Coupling D:18	KL10AAH	2P -> 125/11	4P-> 200/07		Coupling and imp. locking kit
		KL10AAK	2P -> 125/22			
		KL10AAL	2P -> 200/40			
		KL10AAM	2P -> 200/55			
14	Plug kit FPM	KL34AAB				
	Plug kit EPDM	KL34AAC				

Single Unit

2*	Dia - Ø	100	110	123	138	153	170	145	161	177
	Impeller 2P	160704100	160704102	160704104	160704111	160704113	160704116	160704120	160704121	160704122
	Dia - Ø	100	110	106	128	142	156	145	161	177
	Impeller 4P	160704100	160704102	160704101	160704110	160704112	160704114	160704120	160704121	160704122
1	Pump body	151380720	151380720	151380720	151380730	151380730	151380730	151380740	151380740	151380740
11	Support foot 2P	161401831	161401831	161401831	161401841	161401841	161401841	161401851	161401851	161401851
	Support foot 4P	161401831	161401831	161401831	161405710	161405710	161405710	161401851	161401851	161401851
3	Seal Housing Disc	160103100	160103100	160103100	160103120	160103120	160103120	160103140	160103140	160103140
4	Adaptor 2P	161470010	161470010	161470010	161470110	161470110	161470110	161470190	161470190	161470190
	Adaptor 4P	161470010	161470010	161470010	161470090	161470090	161470090	161470170	161470170	161470170
9**	Motor 3~, 2 P	107230340	107230360	107230380	50002RE00	50008VE00	50013VE00	50002RE00	50008VE00	50013VE00
	Size	80	90R	90R	100R	112R	132R	100R	112R	132R
	Motor 3~, 4 P	107230740	107230740	107230740	107230740	107230740	107230800	107230740	107230740	107230800
	Size	80	80	80	80	80	80	80	80	80
12	Motor connector 2P	167350110	167350110	167350110	167350120	167350120	167350190	167350120	167350120	167350190
	Motor connector 2P	167350110	167350110	167350110	167350110	167350110	167350110	167350110	167350110	167350110

* Recommended spare parts - Parti di ricambio consigliate

* Pièces détachées conseillées - Empfohlene Ersatzteile

** Motor spare parts: see motor lists - Parti di ricambio motore: vedi liste motore

** Pièces détachées Moteur : voir listes moteur - Motor-Ersatzteile: gem. Motorlisten

SHOS 25-50_5_P_Feb08_EdA

SHOS 32/P -SHOS4 32/P

	32-125/11	32-125/15	32-125/22	32-160/30/P	32-160/40/P	32-160/55/P	32-200/30/P	32-200/40/P	32-200/55/P
ELP 3 ~,2P	107510500	107510510	107510520	101350530	101350540	101350550	101350560	101350570	101350580
kW->	1,1	1,5	2,2	3,0	4,0	5,5	3,0	4,0	5,5
ELP 3 ~,4P	32-125/02A	32-125/02	32-125/03	32-160/03	32-160/05	32-160/07	32-200/03	32-200/05	32-200/07
	TBD	TBD	107510720	107510730	107510740	107510750	TBD	TBD	107510780
kW->	0,25	0,25	0,37	0,37	0,55	0,75	0,37	0,55	0,75

Kit

7*	Material->	Q1Q1VGG	Q1BVG	Q1Q1EGG	Mech. Seal D:22 - OR 158/189/221	
	Mech. Seal D22 + OR	KL01ACN	KL01ADF	KL01ACW	2P->200/55; 4P->200/07	STD -> Seal Q1Q1VGG - OR FPM
8*	OR FPM Kit	KL02ABA				
	OR EPDM Kit	KL02ABB				
10	Imp.locking kit M12	KL39AAA				
13	Coupling D:18	KL10AAH	2P -> 125/11	4P-> 200/07		Coupling and imp. locking kit
		KL10AAK	2P -> 125/22			
		KL10AAL	2P -> 200/40			
		KL10AAM	2P -> 200/55			
14	Plug kit FPM	KL34AAB				
	Plug kit EPDM	KL34AAC				

Single Unit

2*	Dia - Ø	100	110	123	138	153	170	145	161	177
	Impeller 2P	160704100	160704102	160704104	160704111	160704113	160704116	160704120	160704121	160704122
	Dia - Ø	100	110	106	128	142	156	145	161	177
	Impeller 4P	160704100	160704102	160704101	160704110	160704112	160704114	160704120	160704121	160704122

1	Pump body	151380610	151380610	151380610	151380620	151380620	151380620	151380630	151380630	151380630
11	Support foot 2P	161401831	161401831	161401831	161401841	161401841	161401841	161401851	161401851	161401851
	Support foot 2P	161401831	161401831	161401831	161405710	161405710	161405710	161401851	161401851	161401851

3	Seal Housing Disc	160103100	160103100	160103100	160103120	160103120	160103120	160103140	160103140	160103140
4	Adaptor 2P	161470010	161470010	161470010	161470110	161470110	161470110	161470190	161470190	161470190
	Adaptor 4P	161470010	161470010	161470010	161470090	161470090	161470090	161470170	161470170	161470170
9**	Motor 3~, 2 P	107230340	107230360	107230380	50002RE00	50008VE00	50013VE00	50002RE00	50008VE00	50013VE00
	Size	80	90R	90R	100R	112R	132R	100R	112R	132R
	Motor 3~,4 P	107230740	107230740	107230740	107230740	107230740	107230800	107230740	107230740	107230800
	Size	80	80	80	80	80	80	80	80	80
12	Motor connector 2P	167350110	167350110	167350110	167350120	167350120	167350190	167350120	167350120	167350190
	Motor connector 2P	167350110	167350110	167350110	167350110	167350110	167350110	167350110	167350110	167350110

* Recommended spare parts - Parti di ricambio consigliate

* Pièces détachées conseillées - Empfohlene Ersatzteile

** Motor spare parts: see motor lists - Parti di ricambio motore: vedi liste motore

** Pièces détachées Moteur : voir listes moteur - Motor-Ersatzteile: gem. Motorlisten

SHOS 25-50_5_P Feb08_EdA

SHOS 40/P - SHOS4 40/P

	40-125/15	40-125/22	40-125/30/P	40-160/40/P	40-160/55/P	40-160/75/P
ELP 3 ~, 2P	107510590	107510600	101350610	101350620	101350630	101350640
kw ->	1,5	2,2	3,0	4,0	5,5	7,5
	40-125/02	40-125/03A	40-125/03	40-160/05	40-160/07	40-160/11/P
ELP 3 ~, 4P	107510790	107510800	107510810	107510820	107510830	101350840
kw ->	0,25	0,37	0,37	0,55	0,75	1,1

Kit

7*	Material-->	Q1Q1VGG	Q1BVGG	Q1Q1EGG	Mech. Seal D:22 - OR 158/189/221	
	Mech. Seal D22 + OR	KL01ACN	KL01ADF	KL01ACW	2P -> 160/75; 4P -> 160/11	STD -> Seal Q1Q1VGG - OR FPM
8*	OR FPM Kit	KL02ABA				
	OR EPDM Kit	KL02ABB				
10	Imp.lock kit M12	KL39AAA				
13	Coupling D:18	KL10AAH			4P -> 160/07	Coupling and impeller locking kit
		KL10AAK	2P -> 125/22		4P -> 160/11	
		KL10AAL	2P -> 160/40			
		KL10AAM	2P -> 160/75			
14	Plug kit FPM	KL34AAB				
	Plug kit EPDM	KL34AAC				

Single Unit

2*	Dia - Ø	106	118	123	145	160	170
	Impeller 2P	160704101	160704103	160704104	160704120	160704115	160704116
	Dia - Ø	106	118	106	128	142	156
	Impeller 4P	160704101	160704103	160704101	160704110	160704112	160704114

1	Pump body	151380640	151380640	151380640	151380650	151380650	151380650
11	Support foot 2P	161401831	161401831	161401830	161401841	161401841	161401841
	Support foot 4P	161401831	161401831	161401831	161405710	161405710	161405710

3	Seal-housing disc	160103110	160103110	160103110	160103130	160103130	160103130
4	Adaptor 2P	161470030	161470030	161470070	161470130	161470130	161470130
	Adaptor 4P	161470030	161470030	161470030	161470150	161470150	161470150
9**	Motor 3 ~, 2P	107230360	107230380	50002RE00	50008VE00	50013VE00	50017VB00
	Size	90R	90R	100R	112R	132R	132
	Motor 3 ~, 4P	107230740	107230740	107230740	107230740	107230800	50005RB00
	Size	80	80	80	80	80	90
12	Motor connector 2P	167350110	167350110	167350120	167350120	167350190	167350190
	Motor connector 2P	167350110	167350110	167350110	167350150	167350150	167350150

* Recommended spare parts - Parti di ricambio consigliate

* Pièces détachées conseillées - Empfohlene Ersatzteile

** Motor spare parts: see motor lists - Parti di ricambio motore: vedi liste motore

** Pièces détachées Moteur : voir listes moteur - Motor-Ersatzteile: gem. Motorlisten

SHOS 25-50_5_P_Feb08_EdA

SHOS 50/P - SHOS4 50/P

ELP3 ~, 2P	kW->	50-125/55/P	50-125/75/P	50-160/110A/P	50-160/110/P
		101350650	101350660	101350670	101350680
ELP3 ~, 4P	kW->	50-125/07	50-125/11/P	50-160/11/P	50-160/15/P
		107510880	101350890	101350900	101350910
		5,5	7,5	9,2	11,0
		0,75	1,1	1,1	1,5

Kit

7*	Material-->	Q1Q1VGG	Q1BVGG	Q1Q1EGG	Mech. Seal D:22 - OR 158/189/221	
	Mech. Seal D22 + OR	KL01ACN	KL01ADF	KL01ACW	2P -> 160/110; 4P -> 160/15	STD -> Seal Q1Q1VGG - OR FPM
8*	OR FPM Kit	KL02ABA				
	OR EPDM Kit	KL02ABB				
10	Imp.locking kit M12	KL39AAA				
13	Coupling D:18	KL10AAK	2P -> 125/75 2P -> 160/110		4P -> 160/15	Coupling and impeller locking kit
		KL10AAM				
		KL10AAN				
14	Plug kit FPM	KL34AAB				
	Plug kit EPDM	KL34AAC				

Single Unit

2*	Dia - Ø	145	150	170	180
	Impeller 2P	160704132	160704133	160704142	160704143
	Dia - Ø	125	135	140	158
	Impeller 4P	160704130	160704131	160704140	160704141

1	Pump body	151380670	151380670	151380680	151380680
11	Support foot 2P	161401841	161401841		
	Support foot 4P	161405710	161405710	161401841	161401841

3	Seal housing disc	160103130	160103130	160103130	160103130
4	Adaptor 2P	161470130	161470130	161470150	161470150
	Adaptor 4P	161470150	161470150	161470150	161470150
9**	Motor 3 ~, 2P	50013VE00	50017VB00	50023VC00	50023VC00
	Size	132R	132	160	160
	Motor 3 ~, 4P	107230800	50005RB00	50005RB00	50006RB00
	Size	80	90	90	90
12	Motor connector 2P	167350190	167350190	167350140	167350140
	Motor connector 2P	167350150	167350150	167350150	167350150

* Recommended spare parts - Parti di ricambio consigliate

* Pièces détachées conseillées - Empfohlene Ersatzteile

** Motor spare parts: see motor lists - Parti di ricambio motore: vedi liste motore

** Pièces détachées Moteur : voir listes moteur - Motor-Ersatzteile: gem. Motorlisten