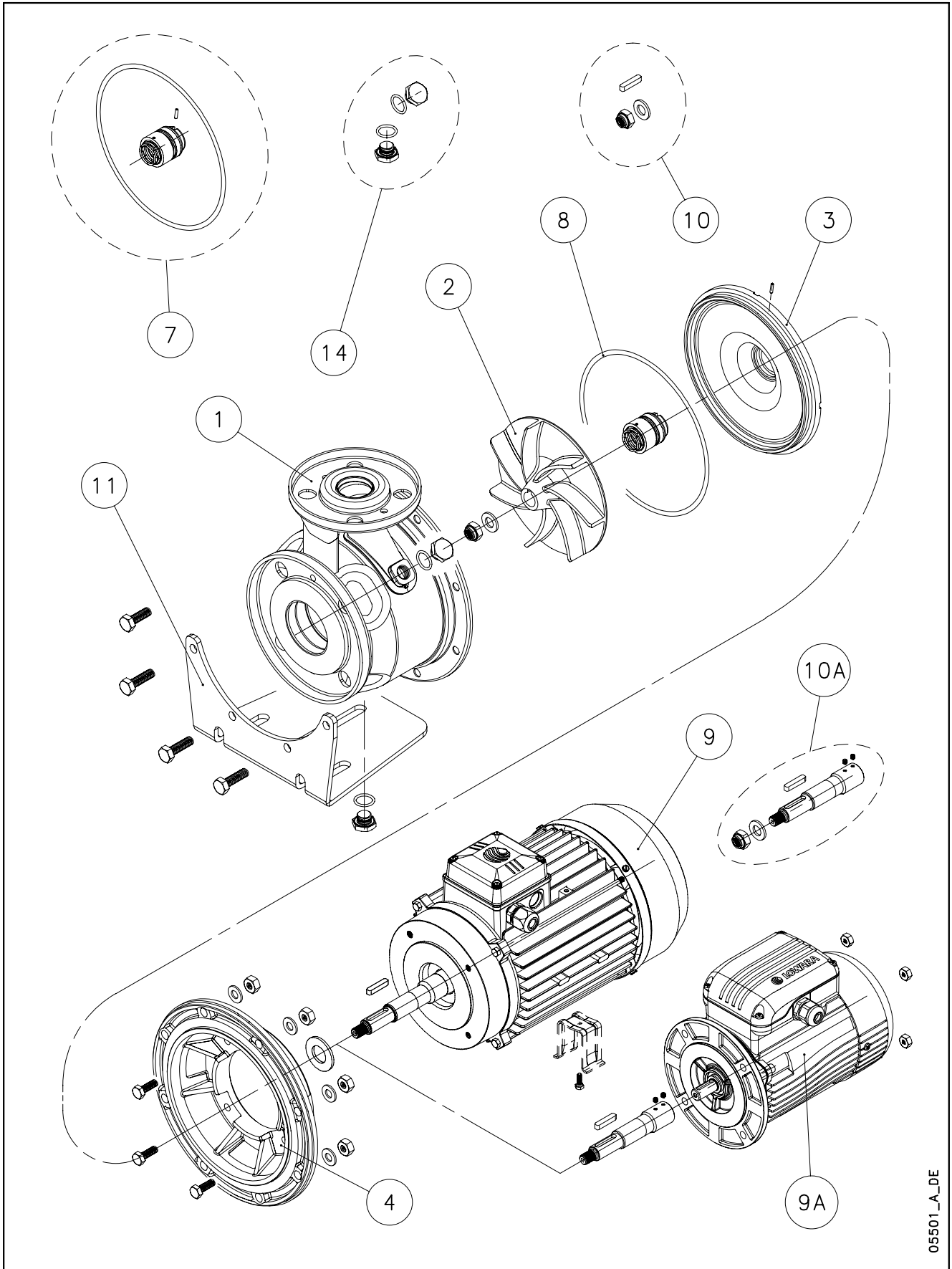


SHOE - SHOE4



05501_A_DE

Lowara, Vogel Pumpen are trademarks of Xylem Inc. or one of its subsidiaries. Goulds is a registered trademark of Goulds Pumps, Inc. and is used under license.

N.	Descrizione it	Description en	Description fr	Beschreibung de	Descripción es	Descrição pt
1	Corpo pompa completo	Complete pump body	Corps de pompe complete	Kompletter pumpengehäuse	Caja bomba completa	Corpo da bomba complete
2	Girante	Impeller	Roue	Lauftrad	Rodete	Impulsor
3	Disco portatenuta	Seal housing disc	Disque de support garniture	Dichtungsgehäusescheibe	Disco de alojamiento sello	Disco porta-vedante
4	Lanterna	Adaptor	Lanterne	Antriebslaterne	Adaptador	Adaptador
7	Tenuta meccanica e guarnizione OR	Mechanical seal and O-Ring	Garniture mécanique et joint torique	Gleitringdichtung und O-Ring	Retén mecánico y aro tórico	Vedante mecânico e vedação OR
8	Guarnizione OR	O-Ring	Joint torique	O-Ring	Aro tórico	Vedação OR
9	Motore completo	Complete motor	Moteur complet	Kompletter Motor	Motor completo	Motor complete
9A	Motore completo (solo 4 poli grandezza 71)	Complete motor (4-poles size 71 only)	Moteur complet (uniquement 4 pôles taille 71)	Kompletter Motor (nur 4polig Größe 71)	Motor completo (só 4 polos tamaño 71)	Motor complete (só 4 pólos grandezza 71)
10	Gruppo fissaggio girante (dado, rosetta e linguetta)	Impeller locking group (nut, washer and key)	Groupe de fixation roue (ecrou, rondelle et clavette)	Befestigungsgruppe Lauftrads auf (Feststelmutter, Unterlegscheibe und Passfeder)	Grupo de fijación rodete (tuerca, arandela y lengüeta)	Grupo de fixação do impulsor (porca, anilha e lingueta)
10A	Giunto con gruppo fissaggio girante (solo 4 poli grandezza 71)	Coupling with impeller locking group (4-poles size 71 only)	Manchon avec groupe de fixation roue (uniquement 4 pôles taille 71)	Kupplung mit Befestigungsgruppe Lauftrad (nur 4polig Größe 71)	Junta con grupo de fijación rodete (só 4 polos tamaño 71)	Junta com grupo de fixação do impulsor (só 4 pólos grandezza 71)
11	Piede di sostegno	Support foot	Pied d'appui	Stützfuß	Pie de soporte	Pé de apoio
14	Kit tappi	Plug kit	Kit bouchons	Verschlussschrauben-Kit	Kit tapones	Kit tampões
N.	Beschrijving nl	Περιγραφή el	Açıklama tr	Kuvaus fi	Описание ru	Opis pl
1	Compleet pomphuis	Πλήρες σώμα αντλίας	Komple pompa gövdesi	Täydellinen pumpun runko	Полный корпус насоса	Kompletny korpus pompy
2	Waaier	Πτερόγιο	Pompa rotoru	Juoksupyörä	Рабочее колесо	Wirnik
3	Dichtingssteenplaat	Δίσκος μηχανικού στυπιοθλίπτη	Conta tutucu disk	Tiivisteura Levy	Диск держатель прокладки	Tarcza uszczelki
4	Lantaarnstuk	Μπρακέτο	Adaptör	Sovitin	Адаптер	Lampa
7	Mechanische asafdichting en O-ringafdichting	Μηχανικός στυπιοθλίπτης και ροδέλες στεγανοποίησης	Mekanik conta ve O-Ring	Mekaaninen tiiviste ja O-rengas	Механическая прокладка и уплотнение OR	Uszczelnienie mechaniczne i uszczelka O-Ring
8	O-ringafdichting	Ροδέλα στεγανοποίησης	O-Ring	O-rengas	Прокладка OR	Uszczelka O-Ring
9	Complete motor	Πλήρης κινητήρας	Komple motor	Täydellinen moottori	Укомплектованный двигатель	Kompletny silnik
9A	Complete motor (alleen 4-polig grootte 71)	Πλήρης κινητήρας (τετραπολικό μόνο μεγέθους 71)	Komple motor (sadece 4 kutuplu; boyu: 71)	Täydellinen moottori (ainoastaan 4 napaa, koko 71)	Укомплектованный двигатель (только 4 полюса величина 71)	Kompletny silnik (tylko 4 bieguny wielkość 71)
10	Waaierbevestigingsblok (moer, ring en spie)	Σετ ασφάλισης περυγίου (παξιμάδι, ροδέλα, σφήνα)	Pompa rotorunu sabitleme takımı (somun, rondela ve kama)	Juoksupyörän kiinnityskokonaisuus (mutteri, välirengas ja kiila)	Узел фиксации рабочего колеса (гайка, шайба и шпонка)	Zespół mocujący wirnika (nakrętka, podkładka i wpust)
10A	Koppeling met waaierbevestigingsblok (alleen 4-polig grootte 71)	Προέκταση άξονα και σετ ασφάλισης περυγίου	Pompa rotorunu sabitleme takımı ile mafsal (sadece 4 kutuplu; boyu: 71)	Liitos juoksupyörän kiinnityskokonaisuudella (ainoastaan 4 napaa, koko 71)	Соединение с узлом фиксации рабочего колеса (только 4 полюса величина 71)	Złącze z zespołem mocującym wirnika (tylko 4 bieguny wielkość 71)
11	Steunpoot	Πέλμα στήριξης	Destek ayağı	Tukijalka	Опорная ножка	Nóżka wspornikowa
14	Stoppenset	Σετ ταπών	Tapa kiti	Tulppasarja	Набор пробок	Zestaw zatyczek

SHOE 25 - SHOE4 25

ELP 3 ~,2P	25-125/11	25-125/15	25-125/22	25-160/30/P	25-160/40/P	25-160/55/P	25-200/30/P	25-200/40/P	25-200/55/P
	107511000	107511010	107511020	101351030	101351040	101351050	101351060	101351070	101351080
	25-125/11/C	25-125/15/C	25-125/22/C	25-160/30/P	25-160/40/P	25-160/55/P	25-200/30/P	25-200/40/P	25-200/55/P
	104333010	104333020	104333030	101351030	101351040	101351050	101351060	101351070	101351080
	25-125/11/D	25-125/15/D	25-125/22/D	25-160/30/D	25-160/40/D	25-160/55/D	25-200/30/D	25-200/40/D	25-200/55/D
	104526500	104526510	104526520	104526530	104526540	104526550	104526560	104526570	104526580
kW->	1,1	1,5	2,2	3,0	4,0	5,5	3,0	4,0	5,5
ELP 3 ~,4P			25-125/03	25-160/03	25-160/05	25-160/07			25-200/07
			107511120	107511130	107511140	107511150			107511180
			25-125/03	25-160/03	25-160/05	25-160/07/C			25-200/07/C
			107511120	107511130	107511140	104333600			104333610
			25-125/03	25-160/03	25-160/05	25-160/07/D			25-200/07/D
			107511120	107511130	107511140	104526810			104526820
kW->			0,37	0,37	0,55	0,75			0,75
SHO/D: motors IE3 fitted			SHO/C, /P: motors IE2 fitted			SHO: motors IE1 fitted			

Kit

7*	Material-->	Q1Q1VGG	Q1BVGG	Q1Q1EGG	Mech. Seal D:22 - OR 158/189/221	
	Mech. Seal D22 + OR	KL01ACN	KL01ADF	KL01ACW	2P->200/55; 4P->200/07	STD -> Seal Q1Q1VGG - OR FPM
8*	OR FPM Kit	KL02ABA	--> STD			
	OR EPDM Kit	KL02ABB	--> Digit B			
10	Imp.locking kit M12	KL39AAA				
10A	Coupling 4P D18-71	KL10AAG	4P-> 160/03			Coupling and imp. locking kit
14	Plug kit FPM	KL34AAB				
	Plug kit EPDM	KL34AAC				

Single Unit

2*	Dia - Ø	100	110	123	138	153	170	145	161	177
	Impeller 2P	160704100	160704102	160704104	160704111	160704113	160704116	160704120	160704121	160704122
	Dia - Ø			106	128	142	156			177
	Impeller 4P			160704101	160704110	160704112	160704114			160704122
1	Pump body	151380720	151380720	151380720	151380730	151380730	151380730	151380740	151380740	151380740
11	Support foot 2P	161401831	161401831	161401831	161405710	161405710	161405710	161401851	161401851	161401851
	Support foot 4P			161401831	161405710	161405710	161405710			161401851
3	Seal Housing Disc	160103100	160103100	160103100	160103120	160103120	160103120	160103140	160103140	160103140
4	Adaptor 2P	161470010	161470010	161470010	161470090	161470110	161470110	161470170	161470190	161470190
	Adaptor 4P			161470050	161470110	161470090	161470090			161470170
9**	Motor 3~, 2P	107230190	107230210	107230223	50002RH00	50008VN00	50013VH00	50002RH00	50008VN00	50013VH00
		107230240	50000RN00	50001RN00	50002RH00	50008VN00	50013VH00	50002RH00	50008VN00	50013VH00
		107234050	107234060	50A01RN00	50A02RH00	50A08VN00	50A13VH00	50A02RH00	50A08VN00	50A13VH00
	Size	90R	90R/90/90R	90	90	112R	112	90	112R	112
	Motor 3~,4P					107230830	13279R00F			
					107230830	107241540				107241540
					107230830	107241640				107241640
Size				90R	90R				90R	
9A**	Motor 3~, 4P-71			107230680	107230680					
	Size			71	71					

* Recommended spare parts - Parti di ricambio consigliate

* Pièces détachées conseillées - Empfohlene Ersatzteile

** Motor spare parts: see motor lists - Parti di ricambio motore: vedi liste motore

** Pièces détachées Moteur : voir listes moteur - Motor-Ersatzteile: gem. Motorlisten

SHOE_25-50_5_June11_EdB

SHOE 32 - SHOE4 32

ELP 3 ~,2P	32-125/11	32-125/15	32-125/22	32-160/30/P	32-160/40/P	32-160/55/P	32-200/30/P	32-200/40/P	32-200/55/P	
	107510000	107510010	107510020	101350030	101350040	101350050	101350060	101350070	101350080	
	32-125/11/C	32-125/15/C	32-125/22/C	32-160/30/P	32-160/40/P	32-160/55/P	32-200/30/P	32-200/40/P	32-200/55/P	
	104333040	104333050	104333060	101350030	101350040	101350050	101350060	101350070	101350080	
	32-125/11/D	32-125/15/D	32-125/22/D	32-160/30/D	32-160/40/D	32-160/55/D	32-200/30/D	32-200/40/D	32-200/55/D	
	104526590	104526600	104526610	104526620	104526630	104526640	104526650	104526660	104526670	
kW->	1,1	1,5	2,2	3,0	4,0	5,5	3,0	4,0	5,5	
ELP 3 ~,4P			32-125/03	32-160/03	32-160/05	32-160/07			32-200/07	
			107510220	107510230	107510240	107510250			107510280	
			32-125/03	32-160/03	32-160/05	32-160/07/C			32-200/07/C	
			107510220	107510230	107510240	104333620			104333630	
			32-125/03	32-160/03	32-160/05	32-160/07/D			32-200/07/D	
			107510220	107510230	107510240	104526860			104526870	
kW->			0,37	0,37	0,55	0,75			0,75	
SHO/D: motors IE3 fitted			SHO/C, /P: motors IE2 fitted				SHO: motors IE1 fitted			

Kit

7*	Material-->	Q1Q1VGG	Q1BVG	Q1Q1EGG	Mech. Seal D:22 - OR 158/189/221	
	Mech. Seal D22 + OR	KL01ACN	KL01ADF	KL01ACW	2P->200/55; 4P->200/07	STD -> Seal Q1Q1VGG - OR FPM
8*	OR FPM Kit	KL02ABA	--> STD			
	OR EPDM Kit	KL02ABB	--> Digit B			
10	Imp.locking kit M12	KL39AAA				
10A	Coupling 4P D18-71	KL10AAG	4P-> 160/03			Coupling and imp. locking kit
14	Plug kit FPM	KL34AAB				
	Plug kit EPDM	KL34AAC				

Single Unit

2*	Dia - Ø	100	110	123	138	153	170	145	161	177
	Impeller 2P	160704100	160704102	160704104	160704111	160704113	160704116	160704120	160704121	160704122
	Dia - Ø			106	128	142	156			177
	Impeller 4P			160704101	160704110	160704112	160704114			160704122
1	Pump body	151380610	151380610	151380610	151380620	151380620	151380620	151380630	151380630	151380630
11	Support foot 2P	161401831	161401831	161401831	161405710	161405710	161405710	161401851	161401851	161401851
	Support foot 4P			161401831	161405710	161405710	161405710			161401851
3	Seal Housing Disc	160103100	160103100	160103100	160103120	160103120	160103120	160103140	160103140	160103140
4	Adaptor 2P	161470010	161470010	161470010	161470090	161470110	161470110	161470170	161470190	161470190
	Adaptor 4P			161470050	161470110	161470090	161470090			161470170
9**	Motor 3~, 2P	107230190	107230210	107230223	50002RH00	50008VN00	50013VH00	50002RH00	50008VN00	50013VH00
		107230240	50000RN00	50001RN00	50002RH00	50008VN00	50013VH00	50002RH00	50008VN00	50013VH00
		107234050	107234060	50A01RN00	50A02RH00	50A08VN00	50A13VH00	50A02RH00	50A08VN00	50A13VH00
	Size	90R	90R/90/90R	90	90	112R	112	90	112R	112
	Motor 3~, 4P					107230830	13279R00F			
					107230830	107241540				107241540
					107230830	107241640				107241640
Size				90R	90R				90R	
9A**	Motor 3~, 4P-71			107230680	107230680					
	Size			71	71					

* Recommended spare parts - Parti di ricambio consigliate

* Pièces détachées conseillées - Empfohlene Ersatzteile

** Motor spare parts: see motor lists - Parti di ricambio motore: vedi liste motore

** Pièces détachées Moteur : voir listes moteur - Motor-Ersatzteile: gem. Motorlisten

SHOE_25-50_5_June11_EdB

SHOE 40 - SHOE4 40

ELP 3 ~, 2P	40-125/15	40-125/22	40-125/30/P	40-160/40/P	40-160/55/P	40-160/75/P
	107510090	107510100	101350110	101350120	101350130	101350140
	40-125/15/C	40-125/22/C	40-125/30/P	40-160/40/P	40-160/55/P	40-160/75/P
	104333070	104333080	101350110	101350120	101350130	101350140
	40-125/15/D	40-125/22/D	40-125/30/D	40-160/40/D	40-160/55/D	40-160/75/D
	104526680	104526690	104526700	104526710	104526720	104526730
kW ->	1,5	2,2	3,0	4,0	5,5	7,5
ELP 3 ~, 4P		40-125/03		40-160/05	40-160/07	40-160/11/P
		107510310		107510320	107510330	101350340
		40-125/03		40-160/05	40-160/07/C	40-160/11/D
		107510310		107510320	104333640	104526910
		40-125/03		40-160/05	40-160/07/D	40-160/11/D
		107510310		107510320	104526900	104526910
kW ->		0,37		0,55	0,75	1,1
SHO/D: motors IE3 fitted						
SHO/C, /P: motors IE2 fitted			SHO: motors IE1 fitted			

Kit

7*	Material-->	Q1Q1VGG	Q1BVGG	Q1Q1EGG	Mech. Seal D:22 - OR 158/189/221	
	Mech. Seal D22 + OR	KL01ACN	KL01ADF	KL01ACW	2P->160/75; 4P->160/11	STD -> Seal Q1Q1VGG - OR FPM
8*	OR FPM Kit	KL02ABA	--> STD			
	OR EPDM Kit	KL02ABB	--> Digit B			
10	Imp.locking kit D:12	KL39AAA	2P->160/75; 4P->160/11			
10A	Coupling 4P D18-71	KL10AAG	4P ->125/03			Coupling and imp. locking kit
14	Plug kit FPM	KL34AAB				
	Plug kit EPDM	KL34AAC				

Single Unit

2*	Dia - Ø	106	118	123	145	160	170
	Impeller 2P	160704101	160704103	160704104	160704120	160704115	160704116
	Dia - Ø		106		128	142	156
	Impeller 4P		160704101		160704110	160704112	160704114

1	Pump body	151380640	151380640	151380640	151380650	151380650	151380650
11	Support foot 2P	161401831	161401831	161401831	161405710	161405710	161405710
	Support foot 4P		161401831		161405710	161405710	161405710

3	Seal-housing disc	160103110	160103110	160103110	160103130	160103130	160103130
4	Adaptor 2P	161470030	161470030	161470030	161470130	161470130	161470150
	Adaptor 4P		161470070		161470150	161470150	161470150
9**	Motor 3 ~, 2P	107230210	107230223	50002RH00	50008VN00	50013VH00	50017VH00
		50000RN00	50001RN00	50002RH00	50008VN00	50013VH00	50017VH00
		107234060	50A01RN00	50A02RH00	50A08VN00	50A13VH00	50A17VH00
	Size	90R/90/90R	90	90	112R	112	132
	Motor 3 ~, 4P				107230840	13279R00F	50005RS00
					107230840	107241530	50A05RS00
				107230840	107241630	50A05RS00	
Size				90R	90R	90	
9A**	Motor 3 ~, 4P-71		107230680				
	Size		71				

* Recommended spare parts - Parti di ricambio consigliate

* Pièces détachées conseillées - Empfohlene Ersatzteile

** Motor spare parts: see motor lists - Parti di ricambio motore: vedi liste motore

** Pièces détachées Moteur : voir listes moteur - Motor-Ersatzteile: gem. Motorlisten

SHOE 50 - SHOE4 50

ELP 3 ~, 2P	50-125/55/P	50-125/75/P	50-160/92/P	50-160/110/P
	101350150	101350160	101350170	101350180
	50-125/55/D	50-125/75/D	50-160/92/D	50-160/110/D
	104526740	104526750	104526760	104526770
kW->	5,5	7,5	9,2	11,0
ELP3~, 4P	50-125/07	450-125/11/P	450-160/11/P	450-160/15/P
	107510380	101350390	101350400	101350410
	50-125/07/C	450-125/11/D	450-160/11/D	450-160/15/D
	104333650	104526930	104526940	104526950
	50-125/07/D	450-125/11/D	450-160/11/D	450-160/15/D
	104526920	104526930	104526940	104526950
kW->	0,75	1,1	1,1	1,5

Kit

7*	Material-->	Q1Q1VGG	Q1BVGG	Q1Q1EGG	Mech. Seal D:22 - OR 158/189/221	
	Mech. Seal D22 + OR	KL01ACN	KL01ADF	KL01ACW	2P -> 160/110; 4P ->160/15	STD -> Seal Q1Q1VGG - OR FPM
8*	OR FPM Kit	KL02ABA	--> STD			
	OR EPDM Kit	KL02ABB	--> Digit B			
10	Imp.locking kit D:12	KL39AAA	2P->200/110; 4P->200/15			Coupling and imp. locking kit
14	Plug kit FPM	KL34AAB				
	Plug kit EPDM	KL34AAC				

Single Unit

2*	Dia - Ø	145	150	170	180
	Impeller 2P	160704132	160704133	160704142	160704143
	Dia - Ø	125	135	140	158
	Impeller 4P	160704130	160704131	160704140	160704141

1	Pump body	151380670	151380670	151380680	151380680
11	Support foot 2P	161405710	161405710	161405710	161401841
	Support foot 4P	161405710	161405710	161401841	161401841

3	Seal housing disc	160103130	160103130	160103130	160103130
4	Adaptor 2P	161470130	161470150	161470150	161470150
	Adaptor 4P	161470150	161470150	161470150	161470150
9**	Motor 3 ~, 2P	50013VH00	50017VH00	50019VH00	50019VH00
		50A13VH00	50A17VH00	50A19VH00	50A19VH00
	Size	112	132	132	132
	Motor 3 ~, 4P	13279R00F	50005RS00	50005RS00	50006RS00
107241530		50A05RS00	50A05RS00	50A06RS00	
107241630		50A05RS00	50A05RS00	50A06RS00	
Size		90R	90	90	90

* Recommended spare parts - Parti di ricambio consigliate

* Pièces détachées conseillées - Empfohlene Ersatzteile

** Motor spare parts: see motor lists - Parti di ricambio motore: vedi liste motore

** Pièces détachées Moteur : voir listes moteur - Motor-Ersatzteile: gem. Motorlisten

SHOE_25-50_5_June11_EdB