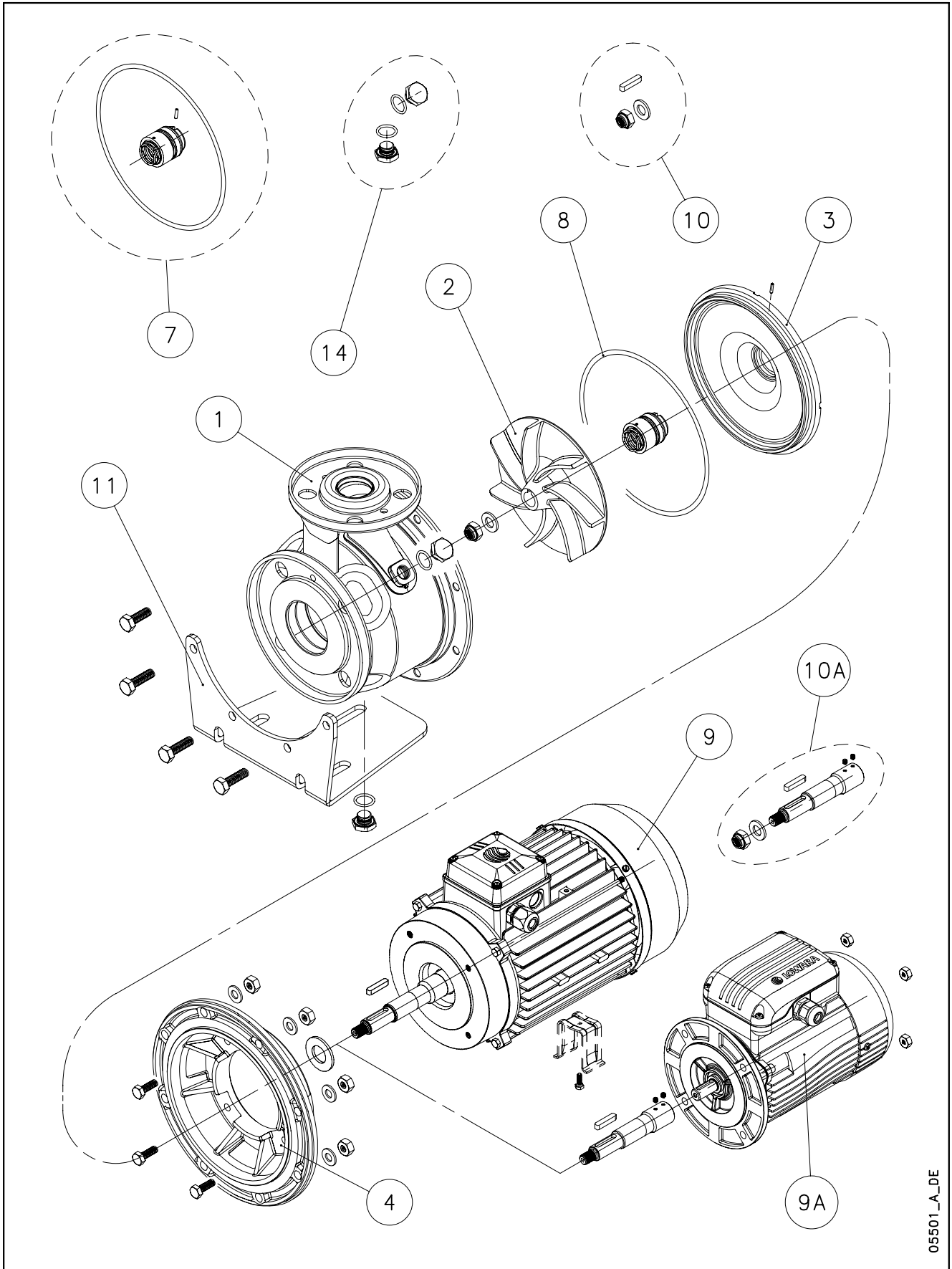


## SHOE - SHOE4



05501\_A\_DE

Lowara, Vogel Pumpen are trademarks of Xylem Inc. or one of its subsidiaries. Goulds is a registered trademark of Goulds Pumps, Inc. and is used under license.

| N.  | Descrizione<br>it  | Description<br>en   | Description<br>fr   | Beschreibung<br>de   | Descripción<br>es   | Descrição<br>pt   |
|-----|--|---|---|--|---|---|
| 1   | Corpo pompa completo   | Complete pump body  | Corps de pompe complete   | Kompletter pumpengehäuse   | Caja bomba completa   | Corpo da bomba complete   |
| 2   | Girante  | Impeller  | Roue  | Lauftrad   | Rodete  | Impulsor  |
| 3   | Disco portatenuta  | Seal housing disc   | Disque de support garniture   | Dichtungsgehäusescheibe  | Disco de alojamiento sello  | Disco porta-vedante   |
| 4   | Lanterna   | Adaptor   | Lanterne  | Antriebslaterne  | Adaptador   | Adaptador   |
| 7   | Tenuta meccanica<br>e guarnizione OR                                   | Mechanical seal<br>and O-Ring                                     | Garniture mécanique<br>et joint torique                                       | Gleitringdichtung<br>und O-Ring  | Retén mecánico<br>y aro tórico  | Vedante mecânico<br>e vedação OR  |
| 8   | Guarnizione OR   | O-Ring  | Joint torique   | O-Ring   | Aro tórico  | Vedação OR  |
| 9   | Motore completo  | Complete motor  | Moteur complet  | Kompletter Motor   | Motor completo  | Motor complete  |
| 9A  | Motore completo<br>(solo 4 poli grandezza 71)                          | Complete motor<br>(4-poles size 71 only)                          | Moteur complet<br>(uniquement 4 pôles taille 71)                              | Kompletter Motor<br>(nur 4polig Größe 71)  | Motor completo<br>(só 4 polos tamaño 71)  | Motor complete<br>(só 4 pólos grandezza 71)                             |
| 10  | Gruppo fissaggio girante<br>(dado, rosetta e linguetta)                | Impeller locking group<br>(nut, washer and key)                   | Groupe de fixation roue<br>(ecrou, rondelle et clavette)                      | Befestigungsgruppe Lauftrads auf<br>(Feststelmutter, Unterlegscheibe<br>und Passfeder) | Grupo de fijación rodete<br>(tuerca, arandela y lengüeta)                       | Grupo de fixação do impulsor<br>(porca, anilha e lingueta)              |
| 10A | Giunto con gruppo<br>fissaggio girante<br>(solo 4 poli grandezza 71)   | Coupling with impeller<br>locking group<br>(4-poles size 71 only) | Manchon avec groupe<br>de fixation roue<br>(uniquement 4 pôles taille 71)     | Kupplung mit Befestigungsgruppe<br>Lauftrad (nur 4polig Größe 71)                      | Junta con grupo<br>de fijación rodete<br>(só 4 polos tamaño 71)                 | Junta com grupo<br>de fixação do impulsor<br>(só 4 pólos grandezza 71)  |
| 11  | Piede di sostegno  | Support foot  | Pied d'appui  | Stützfuß   | Pie de soporte  | Pé de apoio   |
| 14  | Kit tappi  | Plug kit  | Kit bouchons  | Verschlusssschrauben-Kit   | Kit tapones   | Kit tampões   |
| N.  | Beschrijving<br>nl   | Περιγραφή<br>el   | Açıklama<br>tr  | Kuvaus<br>fi   | Описание<br>ru  | Opis<br>pl  |
| 1   | Compleet pomphuis  | Πλήρες σώμα αντλίας   | Komple pompa gövdesi  | Täydellinen pumpun runko   | Полный корпус насоса  | Kompletny korpus pompy  |
| 2   | Waaier   | Πτερύγιο  | Pompa rotoru  | Juoksupyörä  | Рабочее колесо  | Wirnik  |
| 3   | Dichtingssteenplaat  | Δίσκος μηχανικού στυπιοθλίπτη                                     | Conta tutucu disk   | Tiivisteura Levy   | Диск держатель прокладки  | Tarcza uszczelki  |
| 4   | Lantaarnstuk   | Μπρακέτο  | Adaptör   | Sovitin  | Адаптер   | Lampa   |
| 7   | Mechanische asafdichting<br>en O-ringafdichting                        | Μηχανικός στυπιοθλίπτης και ροδέλες<br>στεγανοποίησης             | Mekanik conta<br>ve O-Ring  | Mekaaninen tiiviste<br>ja O-rengas   | Механическая прокладка и<br>уплотнение OR                                       | Uszczelnienie mechaniczne<br>i uszczelka O-Ring                         |
| 8   | O-ringafdichting   | Ροδέλα στεγανοποίησης   | O-Ring  | O-rengas   | Прокладка OR  | Uszczelka O-Ring  |
| 9   | Complete motor   | Πλήρης κινητήρας  | Komple motor  | Täydellinen moottori   | Укомплектованный двигатель  | Kompletny silnik  |
| 9A  | Complete motor<br>(alleen 4-polig grootte 71)                          | Πλήρης κινητήρας<br>(τετραπολικό μόνο μεγέθους 71)                | Komple motor<br>(sadece 4 kutuplu; boyu: 71)                                  | Täydellinen moottori<br>(ainoastaan 4 napaa, koko 71)                                  | Укомплектованный двигатель<br>(только 4 полюса величина 71)                     | Kompletny silnik<br>(tylko 4 bieguny wielkość 71)                       |
| 10  | Waaierbevestigingsblok<br>(moer, ring en spie)                         | Σετ ασφάλισης περυγίου (παξιμάδι,<br>ροδέλα, σφήνα)               | Pompa rotorunu sabitleme takımı<br>(somun, rondela ve kama)                   | Juoksupyörän kiinnityskokonaisuus<br>(mutteri, välirengas ja kiila)                    | Узел фиксации рабочего колеса<br>(гайка, шайба и шпонка)                        | Zespół mocujący wirnika<br>(nakrętka, podkładka i wpust)                |
| 10A | Koppeling met<br>waaierbevestigingsblok<br>(alleen 4-polig grootte 71) | Προέκταση άξονα και σετ ασφάλισης<br>περυγίου                     | Pompa rotorunu sabitleme<br>takımı ile mafsal<br>(sadece 4 kutuplu; boyu: 71) | Liitos juoksupyörän<br>kiinnityskokonaisuudella<br>(ainoastaan 4 napaa, koko 71)       | Соединение с узлом фиксации<br>рабочего колеса<br>(только 4 полюса величина 71) | Złącze z zespołem<br>mocującym wirnika<br>(tylko 4 bieguny wielkość 71) |
| 11  | Steunpoot  | Πέλμα στήριξης  | Destek ayağı  | Tukijalka  | Опорная ножка   | Nóżka wspornikowa   |
| 14  | Stoppenset   | Σετ ταπών   | Tapa kiti   | Tulppasarja  | Набор пробок  | Zestaw zatyczek   |

## SHOE 25 - SHOE4 25

|            |           |           |           |           |           |           |           |           |           |
|------------|-----------|-----------|-----------|-----------|-----------|-----------|-----------|-----------|-----------|
| ELP 3 ~,2P | 25-125/11 | 25-125/15 | 25-125/22 | 25-160/30 | 25-160/40 | 25-160/55 | 25-200/30 | 25-200/40 | 25-200/55 |
|            | 107511000 | 107511010 | 107511020 | 107511030 | 107511040 | 107511050 | 107511060 | 107511070 | 107511080 |
| kW->       | 1,1       | 1,5       | 2,2       | 3,0       | 4,0       | 5,5       | 3,0       | 4,0       | 5,5       |
| ELP 3 ~,4P |           |           | 25-125/03 | 25-160/03 | 25-160/05 | 25-160/07 |           |           | 25-200/07 |
|            |           |           | 107511120 | 107511130 | 107511140 | 107511150 |           |           | 107511180 |
| kW->       |           |           | 0,37      | 0,37      | 0,55      | 0,75      |           |           | 0,75      |

### Kit

|     |                     |         |             |         |                                  |                               |
|-----|---------------------|---------|-------------|---------|----------------------------------|-------------------------------|
| 7*  | Material-->         | Q1Q1VGG | Q1BVG       | Q1Q1EGG | Mech. Seal D:22 - OR 158/189/221 |                               |
|     | Mech. Seal D22 + OR | KL01ACN | KL01ADF     | KL01ACW | 2P->200/55; 4P->200/07           | STD -> Seal Q1Q1VGG - OR FPM  |
| 8*  | OR FPM Kit          | KL02ABA | --> STD     |         |                                  |                               |
|     | OR EPDM Kit         | KL02ABB | --> Digit B |         |                                  |                               |
| 10  | Imp.locking kit M12 | KL39AAA |             |         |                                  |                               |
| 10A | Coupling 4P D18-71  | KL10AAG | 4P-> 160/03 |         |                                  | Coupling and imp. locking kit |
| 14  | Plug kit FPM        | KL34AAB |             |         |                                  |                               |
|     | Plug kit EPDM       | KL34AAC |             |         |                                  |                               |

### Single Unit

|    |             |           |           |           |           |           |           |           |           |           |
|----|-------------|-----------|-----------|-----------|-----------|-----------|-----------|-----------|-----------|-----------|
| 2* | Dia - Ø     | 100       | 110       | 123       | 138       | 170       | 161       | 153       | 145       | 177       |
|    | Impeller 2P | 160704100 | 160704102 | 160704104 | 160704111 | 160704116 | 160704121 | 160704113 | 160704120 | 160704122 |
|    | Dia - Ø     |           |           | 106       | 128       | 142       | 156       |           |           | 177       |
|    | Impeller 4P |           |           | 160704101 | 160704110 | 160704112 | 160704114 |           |           | 160704122 |

|    |                 |           |           |           |           |           |           |           |           |           |
|----|-----------------|-----------|-----------|-----------|-----------|-----------|-----------|-----------|-----------|-----------|
| 1  | Pump body       | 151380720 | 151380720 | 151380720 | 151380730 | 151380730 | 151380730 | 151380740 | 151380740 | 151380740 |
| 11 | Support foot 2P | 161401831 | 161401831 | 161401831 | 161405710 | 161405710 | 161405710 | 161401851 | 161401851 | 161401851 |
|    | Support foot 4P |           |           | 161401831 | 161405710 | 161405710 | 161405710 |           |           | 161401851 |

|      |                   |           |           |           |           |           |           |           |           |           |
|------|-------------------|-----------|-----------|-----------|-----------|-----------|-----------|-----------|-----------|-----------|
| 3    | Seal Housing Disc | 160103100 | 160103100 | 160103100 | 160103120 | 160103120 | 160103120 | 160103140 | 160103140 | 160103140 |
| 4    | Adaptor 2P        | 161470010 | 161470010 | 161470010 | 161470090 | 161470110 | 161470110 | 161470170 | 161470190 | 161470190 |
|      | Adaptor 4P        |           |           | 161470050 | 161470110 | 161470090 | 161470090 |           |           | 161470170 |
| 9**  | Motor 3~, 2 P     | 13274R00F | 13278R00F | 13282R00F | 130647063 | 130647105 | 130647137 | 130647063 | 130647105 | 130647137 |
|      | Size              | 90R       | 90R       | 90R       | 90        | 112R      | 112       | 90        | 112R      | 112       |
|      | Motor 3~,4 P      |           |           |           |           | 13275R00F | 13279R00F |           |           | 13279R00F |
|      | Size              |           |           |           |           | 90R       | 90R       |           |           |           |
| 9A** | Motor 3~, 4P-71   |           |           | 13262R00L | 13262R00L |           |           |           |           |           |
|      | Size              |           |           | 71        | 71        |           |           |           |           |           |

\* Recommended spare parts - Parti di ricambio consigliate

\* Pièces détachées conseillées - Empfohlene Ersatzteile

\*\* Motor spare parts: see motor lists - Parti di ricambio motore: vedi liste motore

\*\* Pièces détachées Moteur : voir listes moteur - Motor-Ersatzteile: gem. Motorlisten

## SHOE 32 - SHOE4 32

|            |           |           |           |           |           |           |           |           |           |     |
|------------|-----------|-----------|-----------|-----------|-----------|-----------|-----------|-----------|-----------|-----|
| ELP 3 ~,2P | 32-125/11 | 32-125/15 | 32-125/22 | 32-160/30 | 32-160/40 | 32-160/55 | 32-200/30 | 32-200/40 | 32-200/55 |     |
|            | 107510000 | 107510010 | 107510020 | 107510030 | 107510040 | 107510050 | 107510060 | 107510070 | 107510080 |     |
|            | kw->      | 1,1       | 1,5       | 2,2       | 3,0       | 4,0       | 5,5       | 3,0       | 4,0       | 5,5 |
| ELP 3 ~,4P |           |           | 32-125/03 | 32-160/03 | 32-160/05 | 32-160/07 |           |           | 32-200/07 |     |
|            |           |           | 107510220 | 107510230 | 107510240 | 107510250 |           |           | 107510280 |     |
|            | kw->      |           | 0,37      | 0,37      | 0,55      | 0,75      |           |           | 0,75      |     |

### Kit

|     |                     |         |             |         |                                  |                               |
|-----|---------------------|---------|-------------|---------|----------------------------------|-------------------------------|
| 7*  | Material-->         | Q1Q1VGG | Q1BVGG      | Q1Q1EGG | Mech. Seal D:22 - OR 158/189/221 |                               |
|     | Mech. Seal D22 + OR | KL01ACN | KL01ADF     | KL01ACW | 2P->200/55; 4P->200/07           | STD -> Seal Q1Q1VGG - OR FPM  |
| 8*  | OR FPM Kit          | KL02ABA | --> STD     |         |                                  |                               |
|     | OR EPDM Kit         | KL02ABB | --> Digit B |         |                                  |                               |
| 10  | Imp.locking kit M12 | KL39AAA |             |         |                                  |                               |
| 10A | Coupling 4P D18-71  | KL10AAG | 4P-> 160/03 |         |                                  | Coupling and imp. locking kit |
| 14  | Plug kit FPM        | KL34AAB |             |         |                                  |                               |
|     | Plug kit EPDM       | KL34AAC |             |         |                                  |                               |

### Single Unit

|    |             |           |           |           |           |           |           |           |           |           |
|----|-------------|-----------|-----------|-----------|-----------|-----------|-----------|-----------|-----------|-----------|
| 2* | Dia - Ø     | 100       | 110       | 123       | 138       | 170       | 161       | 153       | 145       | 177       |
|    | Impeller 2P | 160704100 | 160704102 | 160704104 | 160704111 | 160704116 | 160704121 | 160704113 | 160704120 | 160704122 |
|    | Dia - Ø     |           |           | 106       | 128       | 142       | 156       |           |           | 177       |
|    | Impeller 4P |           |           | 160704101 | 160704110 | 160704112 | 160704114 |           |           | 160704122 |

|    |                 |           |           |           |           |           |           |           |           |           |
|----|-----------------|-----------|-----------|-----------|-----------|-----------|-----------|-----------|-----------|-----------|
| 1  | Pump body       | 151380610 | 151380610 | 151380610 | 151380620 | 151380620 | 151380620 | 151380630 | 151380630 | 151380630 |
| 11 | Support foot 2P | 161401831 | 161401831 | 161401831 | 161405710 | 161405710 | 161405710 | 161401851 | 161401851 | 161401851 |
|    | Support foot 4P |           |           | 161401831 | 161405710 | 161405710 | 161405710 |           |           | 161401851 |

|      |                   |           |           |           |           |           |           |           |           |           |
|------|-------------------|-----------|-----------|-----------|-----------|-----------|-----------|-----------|-----------|-----------|
| 3    | Seal Housing Disc | 160103100 | 160103100 | 160103100 | 160103120 | 160103120 | 160103120 | 160103140 | 160103140 | 160103140 |
| 4    | Adaptor 2P        | 161470010 | 161470010 | 161470010 | 161470090 | 161470110 | 161470110 | 161470170 | 161470190 | 161470190 |
|      | Adaptor 4P        |           |           | 161470050 | 161470110 | 161470090 | 161470090 |           |           | 161470170 |
| 9**  | Motor 3~, 2 P     | 13274R00F | 13278R00F | 13282R00F | 130647063 | 130647105 | 130647137 | 130647063 | 130647105 | 130647137 |
|      | Size              | 90R       | 90R       | 90R       | 90        | 112R      | 112       | 90        | 112R      | 112       |
|      | Motor 3~, 4 P     |           |           |           |           | 13275R00F | 13279R00F |           |           | 13279R00F |
|      | Size              |           |           |           |           | 90R       | 90R       |           |           |           |
| 9A** | Motor 3~, 4P-71   |           |           | 13262R00L | 13262R00L |           |           |           |           |           |
|      | Size              |           |           | 71        | 71        |           |           |           |           |           |

\* Recommended spare parts - Parti di ricambio consigliate

\* Pièces détachées conseillées - Empfohlene Ersatzteile

\*\* Motor spare parts: see motor lists - Parti di ricambio motore: vedi liste motore

\*\* Pièces détachées Moteur : voir listes moteur - Motor-Ersatzteile: gem. Motorlisten

SHOE 25-50\_5\_Apr07\_EdA

## SHOE 40 - SHOE4 40

|             | 40-125/15 | 40-125/22 | 40-125/30 | 40-160/40 | 40-160/55 | 40-160/75 |
|-------------|-----------|-----------|-----------|-----------|-----------|-----------|
| ELP 3 ~, 2P | 107510090 | 107510100 | 107510110 | 107510120 | 107510130 | 107510140 |
| kW ->       | 1,5       | 2,2       | 3,0       | 4,0       | 5,5       | 7,5       |
| ELP 3 ~, 4P |           | 40-125/03 |           | 40-160/05 | 40-160/07 | 40-160/11 |
| kW ->       |           | 107510310 |           | 107510320 | 107510330 | 107510340 |
|             |           | 0,37      |           | 0,55      | 0,75      | 1,1       |

### Kit

|     |                      |         |                        |         |                                  |                               |
|-----|----------------------|---------|------------------------|---------|----------------------------------|-------------------------------|
| 7*  | Material-->          | Q1Q1VGG | Q1BVGG                 | Q1Q1EGG | Mech. Seal D:22 - OR 158/189/221 |                               |
|     | Mech. Seal D22 + OR  | KL01ACN | KL01ADF                | KL01ACW | 2P->160/75; 4P->160/11           | STD -> Seal Q1Q1VGG - OR FPM  |
| 8*  | OR FPM Kit           | KL02ABA | --> STD                |         |                                  |                               |
|     | OR EPDM Kit          | KL02ABB | --> Digit B            |         |                                  |                               |
| 10  | Imp.locking kit D:12 | KL39AAA | 2P->160/75; 4P->160/11 |         |                                  |                               |
| 10A | Coupling 4P D18-71   | KL10AAG | 4P ->125/03            |         |                                  | Coupling and imp. locking kit |
| 14  | Plug kit FPM         | KL34AAB |                        |         |                                  |                               |
|     | Plug kit EPDM        | KL34AAC |                        |         |                                  |                               |

### Single Unit

|    |             |           |           |           |           |           |           |
|----|-------------|-----------|-----------|-----------|-----------|-----------|-----------|
| 2* | Dia - Ø     | 106       | 118       | 123       | 145       | 160       | 170       |
|    | Impeller 2P | 160704101 | 160704103 | 160704104 | 160704120 | 160704115 | 160704116 |
|    | Dia - Ø     |           | 106       |           | 128       | 142       | 156       |
|    | Impeller 4P |           | 160704101 |           | 160704110 | 160704112 | 160704114 |

|    |                 |           |           |           |           |           |           |
|----|-----------------|-----------|-----------|-----------|-----------|-----------|-----------|
| 1  | Pump body       | 151380640 | 151380640 | 151380640 | 151380650 | 151380650 | 151380650 |
| 11 | Support foot 2P | 161401831 | 161401831 | 161401831 | 161405710 | 161405710 | 161405710 |
|    | Support foot 4P |           | 161401831 |           | 161405710 | 161405710 | 161405710 |

|      |                   |           |           |           |           |           |           |
|------|-------------------|-----------|-----------|-----------|-----------|-----------|-----------|
| 3    | Seal-housing disc | 160103110 | 160103110 | 160103110 | 160103130 | 160103130 | 160103130 |
| 4    | Adaptor 2P        | 161470030 | 161470030 | 161470030 | 161470130 | 161470130 | 161470130 |
|      | Adaptor 4P        |           | 161470070 |           | 161470150 | 161470150 | 161470150 |
| 9**  | Motor 3 ~,2P      | 13278R00F | 13282R00F | 130647063 | 130647105 | 130647137 | 130647143 |
|      | Size              | 90R       | 90R       | 90        | 112R      | 112       | 112       |
|      | Motor 3 ~, 4P     |           |           |           | 13275R00J | 13279R00J | 130647601 |
|      | Size              |           |           |           | 90R       | 90R       | 90        |
| 9A** | Motor 3 ~,4P-71   |           | 13262R00L |           |           |           |           |
|      | Size              |           | 71        |           |           |           |           |

\* Recommended spare parts - Parti di ricambio consigliate

\* Pièces détachées conseillées - Empfohlene Ersatzteile

\*\* Motor spare parts: see motor lists - Parti di ricambio motore: vedi liste motore

\*\* Pièces détachées Moteur : voir listes moteur - Motor-Ersatzteile: gem. Motorlisten

## SHOE 50 - SHOE4 50

|             | 50-125/55 | 50-125/75 | 50-160/92 | 50-160/110 |
|-------------|-----------|-----------|-----------|------------|
| ELP 3 ~, 2P | 107510150 | 107510160 | 107510170 | 107510180  |
| kw->        | 5,5       | 7,5       | 9,2       | 11,0       |
|             | 50-125/07 | 50-125/11 | 50-160/11 | 50-160/15  |
| ELP3~, 4P   | 107510380 | 107510390 | 107510400 | 107510410  |
| kw->        | 0,75      | 1,1       | 1,1       | 1,5        |

### Kit

|    |                      |         |                         |         |                                  |                               |
|----|----------------------|---------|-------------------------|---------|----------------------------------|-------------------------------|
| 7* | Material-->          | Q1Q1VGG | Q1BVG                   | Q1Q1EGG | Mech. Seal D:22 - OR 158/189/221 |                               |
|    | Mech. Seal D22 + OR  | KL01ACN | KL01ADF                 | KL01ACW | 2P -> 160/110; 4P -> 160/15      | STD -> Seal Q1Q1VGG - OR FPM  |
| 8* | OR FPM Kit           | KL02ABA | --> STD                 |         |                                  |                               |
|    | OR EPDM Kit          | KL02ABB | --> Digit B             |         |                                  |                               |
| 10 | Imp.locking kit D:12 | KL39AAA | 2P->200/110; 4P->200/15 |         |                                  | Coupling and imp. locking kit |
| 14 | Plug kit FPM         | KL34AAB |                         |         |                                  |                               |
|    | Plug kit EPDM        | KL34AAC |                         |         |                                  |                               |

### Single Unit

|    |             |           |           |           |           |
|----|-------------|-----------|-----------|-----------|-----------|
| 2* | Dia - Ø     | 145       | 150       | 170       | 180       |
|    | Impeller 2P | 160704132 | 160704133 | 160704142 | 160704143 |
|    | Dia - Ø     | 125       | 135       | 140       | 158       |
|    | Impeller 4P | 160704130 | 160704131 | 160704140 | 160704141 |

|    |                 |           |           |           |           |
|----|-----------------|-----------|-----------|-----------|-----------|
| 1  | Pump body       | 151380670 | 151380670 | 151380680 | 151380680 |
| 11 | Support foot 2P | 161405710 | 161405710 | 161405710 | 161401841 |
|    | Support foot 4P | 161405710 | 161405710 | 161401841 | 161401841 |

|     |                   |           |           |           |           |
|-----|-------------------|-----------|-----------|-----------|-----------|
| 3   | Seal housing disc | 160103130 | 160103130 | 160103130 | 160103130 |
| 4   | Adaptor 2P        | 161470130 | 161470130 | 161470150 | 161470150 |
|     | Adaptor 4P        | 161470150 | 161470150 | 161470150 | 161470150 |
| 9** | Motor 3 ~, 2P     | 130647137 | 130647143 | 130647253 | 130647263 |
|     | Size              | 112       | 112       | 132       | 132       |
|     | Motor 3 ~, 4P     | 13279R00J | 130647601 | 130647601 | 130647610 |
|     | Size              | 90R       | 90        | 90        | 90        |

\* Recommended spare parts - Parti di ricambio consigliate

\* Pièces détachées conseillées - Empfohlene Ersatzteile

\*\* Motor spare parts: see motor lists - Parti di ricambio motore: vedi liste motore

\*\* Pièces détachées Moteur : voir listes moteur - Motor-Ersatzteile: gem. Motorlisten

SHOE 25-50\_5\_Apr07\_EdA