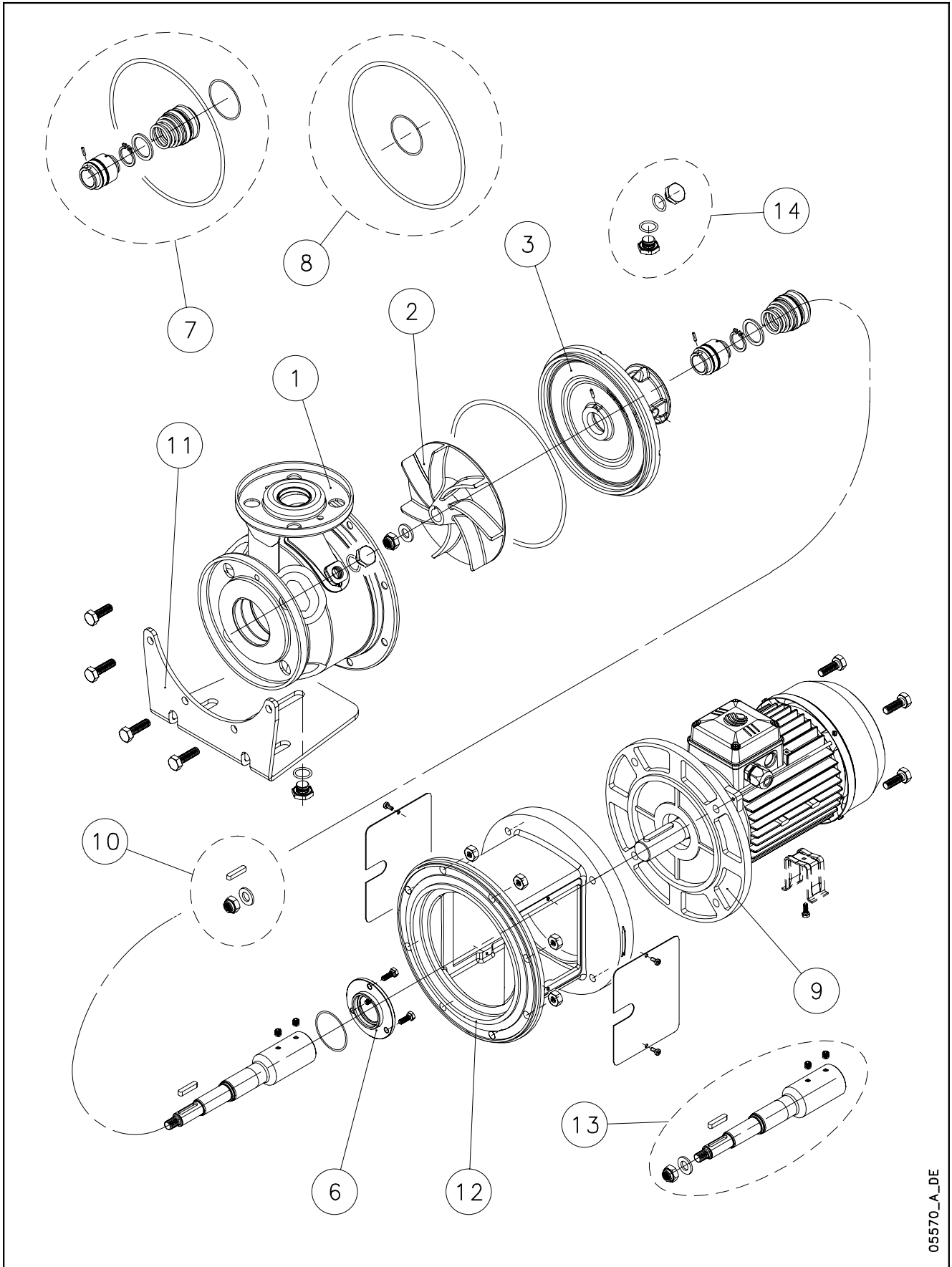


SHOD - SHOD4



05570_A_DE

Lowara, Vogel Pumpen are trademarks of Xylem Inc. or one of its subsidiaries.
Goulds is a registered trademark of Goulds Pumps, Inc. and is used under license.

N.	Descrizione it	Description en	Description fr	Beschreibung de	Descripción es	Descrição pt
1	Corpo pompa completo	Complete pump body	Corps de pompe complete	Kompletter pumpengehäuse	Caja bomba completa	Corpo da bomba complete
2	Girante	Impeller	Roue	Lauftrad	Rodete	Impulsor
3	Disco portatenuta	Seal housing disc	Disque de support garniture	Dichtungsgehäusescheibe	Disco de alojamiento sello	Disco porta-vedante
6	Coperchio tenuta	Seal cover	Couvercle garniture	Dichtungsdeckel	Tapa sello	Tampa vedante
7	Kit tenute meccaniche e guarnizioni OR	Mechanical seal and O-ring kit	Kit garnitures mécaniques et joints toriques	Bausatz Gleitringdichtungen und Dichtungen O-Ringe	Kit sellos mecánicos y juntas tóricas	Kit vedantes mecânicos e guarnições OR
8	Kit guarnizioni OR	O-ring kit	Kit joints toriques	Bausatz Dichtungen O-Ringe	Kit juntas tóricas	Kit guarnições OR
9	Motore completo	Complete motor	Moteur complet	Kompletter Motor	Motor completo	Motor complete
10	Gruppo fissaggio girante (dado, rosetta e linguetta)	Impeller locking group (nut, washer and key)	Groupe de fixation roue (ecrou, rondelle et clavette)	Befestigungsgruppe Laufrads auf (Feststellmutter, Unterlegscheibe und Passfeder)	Grupo de fijación rodete (tuerca, arandela y lengüeta)	Grupo de fixação do impulsor (porca, anilha e lingueta)
11	Piede di sostegno	Support foot	Pied d'appui	Stützfuß	Pie de soporte	Pé de apoio
12	Supporto motore pompa	Pump motor stand	Support moteur pompe	Halterung Pumpenmotor	Soporte motor bomba	Suporte motor bomba
13	Giunto con gruppo fissaggio girante	Coupling with impeller locking group	Manchon avec groupe de fixation roue	Kupplung mit Befestigungsgruppe Laufrad	Junta con grupo de fijación rodete	Junta com grupo de fixação do impulsor
14	Kit tappi	Plug kit	Kit bouchons	Verschlussschrauben-Kit	Kit tapones	Kit tampões
N.	Beschrijving nl	Περιγραφή el	Açıklama tr	Kuvaus fi	Описание ru	Opis pl
1	Compleet pomphuis	Πλήρες σώμα αντλίας	Komple pompa gövdesi	Täydellinen pumpun runko	Полный корпус насоса	Kompletny korpus pompy
2	Waaier	Πτερύγιο	Pompa rotoru	Juoksupyörä	Рабочее колесо	Wirnik
3	Dichtingssteenplaat	Δίσκος μηχανικού στυπιοθλίπτη	Sızdırmazlık diskisi	Tiivisteen kannatuslevy	Диск- держатель прокладки	Tarcza oprawy uszczelnienia
6	Dichtingskap	Κάλυμμα μηχανικού στυπιοθλίπτη	Conta kapağı	Tiivisteen kansi	Крышка прокладки	Pokrywa uszczel.
7	Set mechanische dichtingen en O-ringdichtingen	Μηχανικός στυπιοθλίπτης και ροδέλες στεγανοποίησης	Mekanik conta ve O-Ring kiti	Mekaaniset tiivisteet ja O-renkaat	Комплект механических прокладок и прокладок OR	Zestaw uszczelnień mechanicznych i uszcielek OR
8	Set O-dichtingsringen	Ροδέλα στεγανοποίησης	O-Ring kiti	O-rengassarja	Комплект прокладок OR	Zestaw uszcielek OR
9	Complete motor	Πλήρης κινητήρας	Komple motor	Täydellinen moottori	Укомплектованный двигатель	Kompletny silnik
10	Waaierbevestigingsblok (moer, ring en spie)	Σετ ασφάλισης περυγίου (παξιμάδι, ροδέλα, σφήνα)	Pompa rotorunu sabitleme takımı (somun, rondela ve kama)	Juoksupyörän kiinnityskokonaisuus (mutteri, välirengas ja kiila)	Узел фиксации рабочего колеса (гайка, шайба и шпонка)	Zespół mocujący wirnika (nakrętka, podkładka i wpust)
11	Steunpoot	Πέλμα στήριξης	Destek ayağı	Tukijalka	Опорная ножка	Nóżka wspornikowa
12	Motor-pompsteen	Μπρακέτο	Pompa motoru mesnedi	Pumpun moottorin kannatin	Опора двигателя насоса	Wspornik silnika pompy
13	Koppeling met waaierbevestigingsblok	Προέκταση άξονα και ασφάλισης περυγίου	Pompa rotorunu sabitleme takimi ile mafsal	Liitos juoksupyörän kiinnityskokonaisuudella	Соединение с узлом фиксации рабочего колеса	Złącze z zespołem mocującym wirnika
14	Stoppenset	Σετ ταπών	Tapa kiti	Tulppasarja	Набор пробок	Zestaw zatyczek

SHOD 25 -SHOD4 25

ELP 3 ~,2P	25-125/11	25-125/15	25-125/22	25-160/30/P	25-160/40/P	25-160/55/P	25-200/30/P	25-200/40/P	25-200/55/P
	107512000	107512010	107512020	101352030	101352040	101352050	101352060	101352070	101352080
	25-125/11/C	25-125/15/C	25-125/22/C	25-160/30/P	25-160/40/P	25-160/55/P	25-200/30/P	25-200/40/P	25-200/55/P
	104333400	104333410	104333420	101352030	101352040	101352050	101352060	101352070	101352080
	25-125/11/D	25-125/15/D	25-125/22/D	25-160/30/D	25-160/40/D	25-160/55/D	25-200/30/D	25-200/40/D	25-200/55/D
	104527420	104527430	104527440	104527450	104527460	104527470	104527480	104527490	104527500
kW->	1,1	1,5	2,2	3,0	4,0	5,5	3,0	4,0	5,5
ELP 3 ~,4P			25-125/03	25-160/03	25-160/05	25-160/07			25-200/07
			107512320	107512330	107512340	107512350			107512380
			25-125/03	25-160/03	25-160/05	25-160/07/C			25-200/07/C
			107512320	107512330	107512340	104333900			104333910
			25-125/03	25-160/03	25-160/05	25-160/07/D			25-200/07/D
			107512320	107512330	107512340	104527730			104527740
kW->		0,37	0,37	0,55	0,75			0,75	
SHO/D: motors IE3 fitted			SHO/C, /P: motors IE2 fitted			SHO: motors IE1 fitted			

Kit

		Standard			Special			
7*	Material-->	Q1Q1VGG	Q1Q1EGG	Q1BVGG	Q1Q1TGG	Q1BEGG	Q1BTGG	2P->200/55; 4P->200/07
	Mech. Seal + OR	KL01ADG	KL01ADH	KL01ADL	KL01ADK	KL01ADM	KL01ADN	Seal D:22 /28 - OR D49/158/189/221
8*	OR FPM Kit	KL02ABF	OR D49/158/189/221					
	OR EPDM Kit	KL02ABG						
	OR PTFE Kit	KL02ABH						
14	Plug kit FPM	KL34AAB						
	Plug kit EPDM	KL34AAC						
10	Imp.lock kit M12	KL39AAA						
13	Coupling D:18 SHOD	KL10ABQ	2P -> 125/11		4P-> 200/07			
		KL10ABR	2P -> 125/22					
		KL10ABS	2P -> 160-200/40					
		KL10ABT	2P -> 160-200/55					

Single Unit

2*	Dia - Ø	100	110	123	138	153	170	145	161	177
	Impeller 2P	160704100	160704102	160704104	160704111	160704113	160704116	160704120	160704121	160704122
	Dia - Ø			106	128	142	156			177
	Impeller 4P			160704101	160704110	160704112	160704114			160704122

1	Pump body	151380720	151380720	151380720	151380730	151380730	151380730	151380740	151380740	151380740
11	Support foot 2P	161401831	161401831	161401831	161401841	161401841	161401841	161401851	161401851	161401851
	Support foot 4P			161401831	161409360	161409360	161409360			161401851
3	Seal Housing Disc	160103160	160103160	160103160	160103180	160103180	160103180	160103200	160103200	160103200
6	Seal cover	164002030	164002030	164002030	164002030	164002030	164002030	164002030	164002030	164002030
9**	Motor 3~, 2P	107230340	107230360	107230380	50002RE00	50008VE00	50013VE00	50002RE00	50008VE00	50013VE00
		107230530	50000RB00	50001RB00	50002RE00	50008VE00	50013VE00	50002RE00	50008VE00	50013VE00
		107234080	107234090	50A01RB00	50A02RE00	50A08VE00	50A13VE00	50A02RE00	50A08VE00	50A13VE00
	Size	80	90R/90/90R	90R/90	100R	112R	132R	100R	112R	132R
	Motor 3~, 4 P			107230740	107230740	107230740	107230800			107230800
				107230740	107230740	107230740	107241510			107241510
				107230740	107230740	107230740	107241610			107241610
Size			80	80	80	80			80	
12	Pump/motor stand 2P	161470390	161470390	161470390	161470450	161470450	161470510	161470410	161470410	161470470
	Pump/motor stand 4P			161470390	161470370	161470370	161470370			161470350

	Coupling Guard 2P	164206720	164206720	164206720	164206730	164206730	164206730	164206730	164206730	164206740
	Coupling Guard 4P			164206720	164206720	164206720	164206720			164206720

* Recommended spare parts - Parti di ricambio consigliate

* Pièces détachées conseillées - Empfohlene Ersatzteile

** Motor spare parts: see motor lists - Parti di ricambio motore: vedi liste motore

** Pièces détachées Moteur : voir listes moteur - Motor-Ersatzteile: gem. Motorlisten

SHOD_25-50_5_June11_EdB

SHOD 32 -SHOD4 32

ELP 3 ~,2P	32-125/11	32-125/15	32-125/22	32-160/30/P	32-160/40/P	32-160/55/P	32-200/30/P	32-200/40/P	32-200/55/P	
	107512090	107512100	107512110	101352120	101352130	101352140	101352150	101352160	101352170	
	32-125/11/C	32-125/15/C	32-125/22/C	32-160/30/P	32-160/40/P	32-160/55/P	32-200/30/P	32-200/40/P	32-200/55/P	
	104333430	104333440	104333450	101352120	101352130	101352140	101352150	101352160	101352170	
	32-125/11/D	32-125/15/D	32-125/22/D	32-160/30/D	32-160/40/D	32-160/55/D	32-200/30/D	32-200/40/D	32-200/55/D	
	104527510	104527520	104527530	104527540	104527550	104527560	104527570	104527580	104527590	
kW->	1,1	1,5	2,2	3,0	4,0	5,5	3,0	4,0	5,5	
ELP 3 ~,4P			32-125/03	32-160/03	32-160/05	32-160/07			32-200/07	
			107512410	107512420	107512430	107512440			107512470	
			32-125/03	32-160/03	32-160/05	32-160/07/C			32-200/07/C	
			107512410	107512420	107512430	104333920			104333930	
			32-125/03	32-160/03	32-160/05	32-160/07/D			32-200/07/D	
		107512410	107512420	107512430	104527780			104527780		
kW->			0,37	0,37	0,55	0,75			0,75	
SHO/D: motors IE3 fitted				SHO/C, /P: motors IE2 fitted			SHO: motors IE1 fitted			

Kit

	Material-->	Standard			Special				
7*	Mech. Seal + OR	Q1Q1VGG	Q1Q1EGG	Q1BVGG	Q1Q1TGG	Q1BEGG	Q1BTGG	2P->200/55; 4P->200/07	
		KL01ADG	KL01ADH	KL01ADL	KL01ADK	KL01ADM	KL01ADN	Seal D:22 /28 - OR D49/158/189/221	
8*	OR FPM Kit	KL02ABF	OR D49/158/189/221						
	OR EPDM Kit	KL02ABG							
	OR PTFE Kit	KL02ABH							
14	Plug kit FPM	KL34AAB							
	Plug kit EPDM	KL34AAC							
10	Imp.lock kit M12	KL39AAA							
13	Coupling D:18 SHOD	KL10ABQ	2P -> 125/11	4P-> 200/07					
		KL10ABR	2P -> 125/22						
		KL10ABS	2P -> 160-200/40						
		KL10ABT	2P -> 160-200/55						

Single Unit

2*	Dia - Ø	100	110	123	138	153	170	145	161	177
	Impeller 2P	160704100	160704102	160704104	160704111	160704113	160704116	160704120	160704121	160704122
	Dia - Ø			106	128	142	156			177
	Impeller 4P			160704101	160704110	160704112	160704114			160704122

1	Pump body	151380610	151380610	151380610	151380620	151380620	151380620	151380630	151380630	151380630
11	Support foot 2P	161401831	161401831	161401831	161401841	161401841	161401841	161401851	161401851	161401851
	Support foot 4P			161401831	161409360	161409360	161409360			161401851
3	Seal Housing Disc	160103160	160103160	160103160	160103180	160103180	160103180	160103200	160103200	160103200
6	Seal cover	164002030	164002030	164002030	164002030	164002030	164002030	164002030	164002030	164002030
9**	Motor 3~, 2P	107230340	107230360	107230380	50002RE00	50008VE00	50013VE00	50002RE00	50008VE00	50013VE00
		107230530	50000RB00	50001RB00	50002RE00	50008VE00	50013VE00	50002RE00	50008VE00	50013VE00
		107234080	107234090	50A01RB00	50A02RE00	50A08VE00	50A13VE00	50A02RE00	50A08VE00	50A13VE00
	Size	80	90R/90/90R	90R/90	100R	112R	132R	100R	112R	132R
	Motor 3~,4 P			107230740	107230740	107230740	107230800			107230800
				107230740	107230740	107230740	107241510			107241510
				107230740	107230740	107230740	107241610			107241610
	Size			80	80	80	80			80
12	Pump/motor stand 2P	161470390	161470390	161470390	161470450	161470450	161470510	161470410	161470410	161470470
	Pump/motor stand 4P			161470390	161470370	161470290	161470290			161470290

	Coupling Guard 2P	164206720	164206720	164206720	164206730	164206730	164206730	164206730	164206730	164206740
	Coupling Guard 4P			164206720	164206720	164206720	164206720			164206720

* Recommended spare parts - Parti di ricambio consigliate

* Pièces détachées conseillées - Empfohlene Ersatzteile

** Motor spare parts: see motor lists - Parti di ricambio motore: vedi liste motore

** Pièces détachées Moteur : voir listes moteur - Motor-Ersatzteile: gem. Motorlisten

SHOD_25-50_5_June11_EdB

SHOD 40 - SHOD4 40

ELP 3 ~, 2P	40-125/15	40-125/22	40-125/30/P	40-160/40/P	40-160/55/P	40-160/75/P
	107512180	107512190	101352200	101352210	101352220	101352230
	40-125/15/C	40-125/22/C	40-125/30/P	40-160/40/P	40-160/55/P	40-160/75/P
	104333460	104333470	101352200	101352210	101352220	101352230
	40-125/15/D	40-125/22/D	40-125/30/D	40-160/40/D	40-160/55/D	40-160/75/D
	104527600	104527610	104527620	104527630	104527640	104527650
kW ->	1,5	2,2	3,0	4,0	5,5	7,5
ELP 3 ~, 4P			40-125/03	40-160/05	40-160/07	40-160/11/P
			107512500	107512510	107512520	101352530
			40-125/03	40-160/05	40-160/07/C	40-160/11/P
			107512500	107512510	104333940	101352530
			40-125/03	40-160/05	40-160/07/D	40-160/11/D
		107512500	107512510	104527820	104527830	
kW ->			0,37	0,55	0,75	1,1
SHO/D: motors IE3 fitted			SHO/C, /P: motors IE2 fitted		SHO: motors IE1 fitted	

Kit

7*	Material-->	Standard			Special			2P->160/75; 4P->160/11 Seal D:22 /28 - OR D49/158/189/221
		Q1Q1VGG	Q1Q1EGG	Q1BVGG	Q1Q1TGG	Q1BEGG	Q1BTGG	
	Mech. Seal + OR	KL01ADG	KL01ADH	KL01ADL	KL01ADK	KL01ADM	KL01ADN	
8*	OR FPM Kit	KL02ABF	OR D49/158/189/221					
	OR EPDM Kit	KL02ABG						
	OR PTFE Kit	KL02ABH						
14	Plug kit FPM	KL34AAB						
	Plug kit EPDM	KL34AAC						
10	Imp.lock kit M12	KL39AAA						
13	Coupling D:18 SHOD	KL10ABQ			4P-> 160/07			
		KL10ABR	2P -> 125/22		4P-> 160/11			
		KL10ABS	2P -> 160/40					
		KL10ABT	2P -> 160/75					

Single Unit

2*	Dia - Ø	106	118	123	145	160	170
	Impeller 2P	160704101	160704103	160704104	160704120	160704115	160704116
	Dia - Ø			106	128	142	156
	Impeller 4P			160704101	160704110	160704112	160704114
1	Pump body	151380640	151380640	151380640	151380650	151380650	151380650
11	Support foot 2P	161401831	161401831	161401830	161401841	161401841	161401841
	Support foot 4P			161401831	161405710	161405710	161405710
3	Seal-housing disc	160103170	160103170	160103170	160103190	160103190	160103190
6	Seal cover	164002030	164002030	164002030	164002030	164002030	164002030
9**	Motor 3 ~, 2P	107230360	107230380	50002RE00	50008VE00	50013VE00	50017VB00
		50000RB00	50001RB00	50002RE00	50008VE00	50013VE00	50017VB00
		107234090	50A01RB00	50A02RE00	50A08VE00	50A13VE00	50A17VB00
	Size	90R/90/90R	90R/90	100R	112R	132R	132
	Motor 3 ~, 4P			107230740	107230740	107230800	50005RB00
			107230740	107230740	107241510	50005RB00	
			107230740	107230740	107241610	50A05RB00	
Size			80	80	80	90	
12	Pump/motor stand 2P	161470310	161470310	161470270	161470430	161470490	161470490
	Pump/motor stand 4P			161470370	161470290	161470290	161470290
	Coupling Guard 2P	164206720	164206720	164206720	164206730	164206740	164206740
	Coupling Guard 4P			164206720	164206720	164206720	164206720

* Recommended spare parts - Parti di ricambio consigliate

* Pièces détachées conseillées - Empfohlene Ersatzteile

** Motor spare parts: see motor lists - Parti di ricambio motore: vedi liste motore

** Pièces détachées Moteur : voir listes moteur - Motor-Ersatzteile: gem. Motorlisten

SHOD_25-50_5_June11_EdB

SHOD 50 - SHOD4 50

ELP 3 ~, 2P	50-125/55/P	50-125/75/P	50-160/110A/P	50-160/110/P
	101352240	101352250	101352260	101352270
	50-125/55/D	50-125/75/D	50-160/110A/D	50-160/110/D
	104527660	104527670	104527680	104527690
kW->	5,5	7,5	9,2	11,0
ELP3~, 4P	50-125/07	50-125/11/P	50-160/11/P	50-160/15/P
	107512570	101352580	101352590	101352600
	50-125/07/C	50-125/11/D	50-160/11/D	50-160/15/D
	104333950	104527850	104527860	104527870
	50-125/07/D	50-125/11/D	50-160/11/D	50-160/15/D
	104527840	104527850	104527860	104527870
kW->	0,75	1,1	1,1	1,5
SHO/D: motors IE3 fitted		SHO/C, /P: motors IE2 fitted		
Motor construction: B5 --> 7,5 kW ; B35 --> 9,2 - 11,0 kW				

Kit

7*	Material-->	Standard			Special			2P->160/110; 4P->160/15 Seal D:22 /28 - OR 49/158/189/221
		Q1Q1VGG	Q1Q1EGG	Q1BVGG	Q1Q1TGG	Q1BEGG	Q1BTGG	
	Mech. Seal + OR	KL01ADG	KL01ADH	KL01ADL	KL01ADK	KL01ADM	KL01ADN	
8*	OR FPM Kit	KL02ABF	OR D49/158/189/221					
	OR EPDM Kit	KL02ABG						
	OR PTFE Kit	KL02ABH						
14	Plug kit FPM	KL34AAB						
	Plug kit EPDM	KL34AAC						
10	Imp.lock kit M12	KL39AAA						
13	Coupling D:18 SHOD	KL10ABQ				4P-> 125/07 4P-> 160/15		
		KL10ABR						
		KL10ABT						
		KL10ABU						
		2P -> 125/75						
		2P -> 160/110						

Single Unit

2*	Dia - Ø	145	150	170	180
	Impeller 2P	160704132	160704133	160704142	160704143
	Dia - Ø	125	135	140	158
	Impeller 4P	160704130	160704131	160704140	160704141

1	Pump body	151380670	151380670	151380680	151380680
11	Support foot 2P	161401841	161401841		
	Support foot 4P	161405710	161405710	161401841	161401841

3	Seal housing disc	160103190	160103190	160103190	160103190
6	Seal cover	164002030	164002030	164002030	164002030
9**	Motor 3 ~, 2P	50013VE00	50017VB00	50031VC00	50031VC00
		50A13VB00	50A17VB00	50A31VC00	50A31VC00
	Size	132R	132	160	160
	Motor 3 ~, 4P	107230800	50005RB00	50005RB00	50006RB00
107241510		50A05RB00	50A05RB00	50A06RB00	
107241610		50A05RB00	50A05RB00	50A06RB00	
Size		80	90	90	90
12	Pump/motor stand 2P	161470490	161470490	161470330	161470330
	Pump/motor stand 4P	161470290	161470290	161470290	161470290

	Coupling Guard 2P	164206740	164206740	164206740	164206740
	Coupling Guard 4P	164206720	164206720	164206720	164206720

* Recommended spare parts - Parti di ricambio consigliate

* Pièces détachées conseillées - Empfohlene Ersatzteile

** Motor spare parts: see motor lists - Parti di ricambio motore: vedi liste motore

** Pièces détachées Moteur : voir listes moteur - Motor-Ersatzteile: gem. Motorlisten

SHOD_25-50_5_June11_EdB