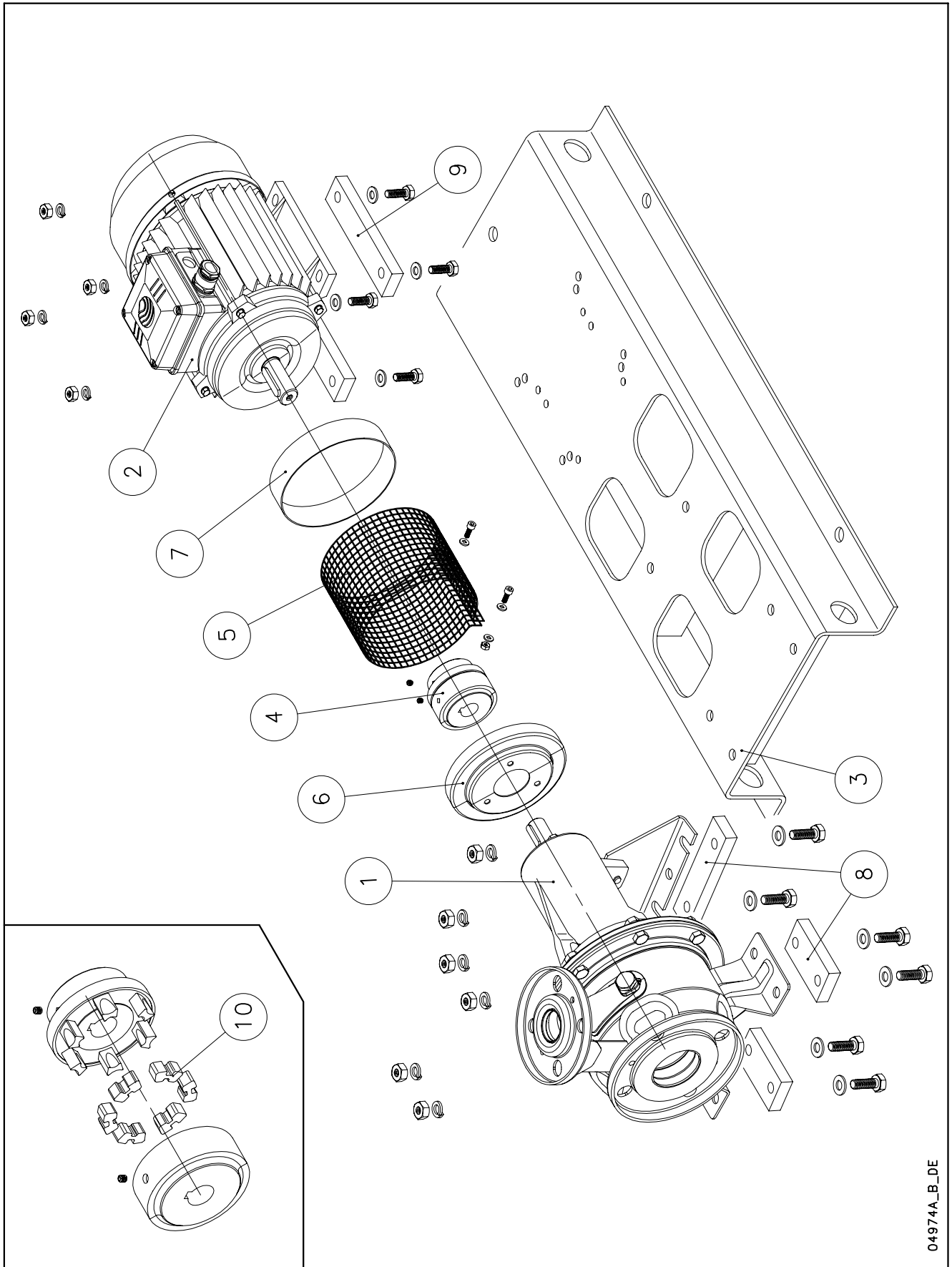


## SHF - SHF4 / GSHF - GSHF4



04974A\_B\_DE

Lowara, Vogel Pumpen are trademarks of Xylem Inc. or one of its subsidiaries.  
Goulds is a registered trademark of Goulds Pumps, Inc. and is used under license.

N.	Descrizione it	Description en	Description fr	Beschreibung de	Descripción es	Descrição pt
1	Pompa	Pump	Pompe	Pumpe	Bomba	Bomba
2	Motore	Motor	Moteur	Motor	Motor	Motor
3	Base	Base	Base	Basis	Base	Base
4	Giunto elastico	Flexible coupling	Manchon élastique	Elastische Kupplung	Junta elástica	Junta elástica
5	Rete protezione giunto	Coupling protection net	Grille protection manchon	Schutznetz Kupplung	Red de protección junta	Rede protecção junta
6	Disco protezione giunto	Coupling protection disk	Disque protection manchon	Schutzscheibe Kupplung	Disco de protección junta	Disco protecção junta
7	Anello protezione giunto	Coupling protection grommet	Anneau protection manchon	Schutzring Kupplung	Anillo de protección junta	Anel protecção junta
8	Spessori pompa	Pump shims	Cales pompe	Distanzstücke Pumpe	Espesores bomba	Calços bomba
9	Spessori motore	Motor shims	Cales moteur	Distanzstücke Motor	Espesores motor	Calços motor
10	Elemento elastico del giunto	Coupling flexible element	Élément élastique du manchon	Elastisches Element der Kupplung	Elemento elástico de la junta	Elemento elástico da junta
N.	Beschrijving nl	Περιγραφή el	Açıklama tr	Kuvaus fi	Описание ru	Opis pl
1	Pomp	Αντλία	Pompa	Pumppu	Насос	Pompa
2	Motor	Κινητήρας	Motor	Moottori	Двигатель	Silnik
3	Pompvoet	Βάση	Taban	Perusta	Основание	Podstawa
4	Elastische koppeling	Ελαστικός σύνδεσμος	Esnek kaplin	Joustokytkin	Упругое соединение	Sprzęgło sprężyste
5	Koppelingsbeschermerrooster	Πλέγμα προστασίας συνδέσμου	Kaplin koruma ağı	Kytkimen suojaverkko	Сетка для защиты соединения	Siatka ochronna sprzęgła
6	Koppelingsbeschermplaat	Δίσκος προστασίας συνδέσμου	Kaplin koruma diski	Kytkimen suoja levy	Диск для защиты соединения	Tarcza ochronna sprzęgła
7	Koppelingsbeschertring	Δακτύλιος προστασίας συνδέσμου	Kaplin koruma halkası	Kytkimen suoja rengas	Кольцо для защиты соединения	Pierścień ochronny sprzęgła
8	Tussenstukken pomp	Παρεμβύσματα αντλίας	Pompa ayar pulları	Pumpun kiilat	Утолщающие прокладки насоса	Podkładki pompy
9	Tussenstukken motor	Παρεμβύσματα κινητήρα	Motor ayar pulları	Moottorin kiilat	Утолщающие прокладки двигателя	Podkładki silnika
10	Elastisch element van de koppeling	Ελαστικό στοιχείο κινητήρα	Kaplinin esnek parçası	Kytkimen jousto-osa	Упругий элемент соединения	Element sprężysty sprzęgła

## SHF 25/P - SHF4 25/P

ELP 3~, 2P	25-125/07	25-125/11	25-160/15/P	25-160/22/P	25-200/30/P	25-200/40/P			25-250/110/P
	-	107430270	101291320	101291325	101291330	101291335			101291342
kW ->	0,75	1,1	1,5	2,2	3,0	4,0	5,5	7,5	11,0
ELP 3~, 4P	25-125/02A	25-125/02	25-160/02	25-160/03	25-200/03	25-200/05	25-250/07		
	TBD	TBD	TBD	107430550	TBD	TBD	TBD		
kW ->	0,25	0,25	0,25	0,37	0,37	0,55	0,75		

### Kit

*4	Flexible coupling	KL10AA0	KL10AA0	KL10AA1	KL10AA1	KL10AA2	KL10AA2	KL10AA3	KL10AA3	KL10AA4
		KL10AAZ	KL10AAZ	KL10AAZ	KL10AAZ	KL10AAZ	KL10AAZ	KL10AAZ	KL10AAZ	KL10AAZ
10	Coupling blocks	KL41AAK	KL41AAK	KL41AAK	KL41AAK	KL41AAL	KL41AAL	KL41AAM	KL41AAM	KL41AAM
		KL41AAK	KL41AAK	KL41AAK	KL41AAK	KL41AAK	KL41AAK	KL41AAK	KL41AAK	KL41AAK

### Single Unit, 2P

1	Pump	-	102209270	102209280	102209290	-	102209310	-	-	-
8	Pump shims									
**2	Motor 3~, 2P	107230460	107230480	50000RA00	50001RA00	50007RA00	50012VA00			50023VA00
		80	80	90	90	100	112			160
3	Base	151403600	151403600	151403620	151403620	151403620	151403620	151403680	151403680	151403710
5	Protection net	164600240	164600240	164600240	164600240	164600250	164600250	164600260	164600260	164600270
6	Protection disc	160101230	160101230	160101230	160101230	160101230	160101230	160101230	160101230	160101230
7	Protection ring	168601120	168601120	168601120	168601120	168601120	168601120	168601120	168601120	168601120
9	Motor shims X 2	161402550	161402550	161402340	161402340	161403010	161402990	161402990	161402990	
		161402570	161402570	161402400	161402400	161403010	161402990	161402990	161402990	161402590

### Single Unit, 4P

1	Pump	-	102209270	102209280	102209290	TBD	102209310	TBD		
8	Pump shims									
**2	Motor 3~, 4P	107230600	107230600	107230600	107230660	107230660	107230720	107230780		
	Size	71	71	71	71	71	80	80		
3	Base	151403600	151403600	151403600	151403600	151403600	151403600	151403650		
5	Protection net	164600240	164600240	164600240	164600240	164600240	164600240	164600240		
6	Protection disc	160101230	160101230	160101230	160101230	160101230	160101230	160101230		
7	Protection ring	168601120	168601120	168601120	168601120	168601120	168601120	168601120		
9	Motor shims X 4	161403150	161403150	161403170	161403170	161403190	161402760	161402970		

\* Recommended spare parts - Parti di ricambio consigliate

\* Pièces détachées conseillées - Empfohlene Ersatzteile

\*\* Motor spare parts: see motor lists - Parti di ricambio motore: vedi liste motore

\*\* Pièces détachées Moteur : voir listes moteur - Motor-Ersatzteile: gem. Motorlisten

SHF25-80\_5\_P\_Feb08\_EdB

## SHF 32/P - SHF4 32/P

ELP 3~, 2P	<b>32-125/07</b>	<b>32-125/11</b>	<b>32-160/15/P</b>	<b>32-160/22/P</b>	<b>32-200/30/P</b>	<b>32-200/40/P</b>	<b>32-250/55/P</b>	<b>32-250/75/P</b>	<b>32-250/110/P</b>
	107430360	107430370	101291380	101291390	101291400	101291410	101291420	101291430	101291440
	<b>0,75</b>	<b>1,1</b>	<b>1,5</b>	<b>2,2</b>	<b>3,0</b>	<b>4,0</b>	<b>5,5</b>	<b>7,5</b>	<b>11,0</b>
kw ->									
ELP 3~, 4P	<b>32-125/02A</b>	<b>32-125/02</b>	<b>32-160/02</b>	<b>32-160/03</b>	<b>32-200/03</b>	<b>32-200/05</b>	<b>32-250/07</b>	<b>32-250/11/P</b>	<b>32-250/15/P</b>
	107430600	107430610	107430620	107430630	107430640	107430650	107430660	101296430	101296440
	<b>0,25</b>	<b>0,25</b>	<b>0,25</b>	<b>0,37</b>	<b>0,37</b>	<b>0,55</b>	<b>0,75</b>	<b>1,1</b>	<b>1,5</b>
kw ->									
	Motor SM - finned		Motor PLM - SM				Motor PLM - with tie rods		

### Kit

*4	Flexible coupling	KL10AA0	KL10AA0	KL10AA1	KL10AA1	KL10AA2	KL10AA2	KL10AA3	KL10AA3	KL10AA4
		KL10AAZ	KL10AAZ	KL10AAZ	KL10AAZ	KL10AAZ	KL10AA0	KL10AA0	KL10AA1	KL10AA1
10	Coupling blocks	KL41AAK	KL41AAK	KL41AAK	KL41AAK	KL41AAL	KL41AAL	KL41AAM	KL41AAM	KL41AAM
		KL41AAK	KL41AAK	KL41AAK	KL41AAK	KL41AAK	KL41AAK	KL41AAK	KL41AAK	KL41AAK

### Single Unit, 2P

1	Pump	102209360	102209370	102209380	102209390	102209400	102209410	102209420	102209430	102209440
8	Pump shims									
**2	Motor 3~, 2P	107230460	107230480	50000RA00	50001RA00	50007RA00	50012VA00	50016VA00	50017VA00	50023VA00
	Size	80	80	90	90	100	112	132	132	160
3	Base	151403600	151403600	151403620	151403620	151403620	151403620	151403680	151403680	151403710
5	Protection net	164600240	164600240	164600240	164600240	164600250	164600250	164600260	164600260	164600270
6	Protection disc	160101230	160101230	160101230	160101230	160101230	160101230	160101230	160101230	160101230
7	Protection ring	168601120	168601120	168601120	168601120	168601120	168601120	168601120	168601120	168601120
9	Motor shims X 2	161402550	161402550	161402340	161402340	161403010	161402990	161402990	161402990	
		161402570	161402570	161402400	161402400	161403010	161402990	161402990	161402990	161402590

### Single Unit, 4P

1	Pump	102209360	102209370	102209380	102209390	102209400	102209410	102209420	102209430	102209440
8	Pump shims									
**2	Motor 3~, 4P	107230600	107230600	107230600	107230660	107230660	107230720	107230780	50005RA00	50006RA00
	Size	71	71	71	71	71	80	80	90	90
3	Base	151403600	151403600	151403600	151403600	151403600	151403600	151403650	151403650	151403650
5	Protection net	164600240	164600240	164600240	164600240	164600240	164600240	164600240	164600240	164600240
6	Protection disc	160101230	160101230	160101230	160101230	160101230	160101230	160101230	160101230	160101230
7	Protection ring	168601120	168601120	168601120	168601120	168601120	168601120	168601120	168601120	168601120
9	Motor shims X 4	161403150	161403150	161403170	161403170	161403190	161402760	161402970	161402950	161402950

\* Recommended spare parts - Parti di ricambio consigliate

\* Pièces détachées conseillées - Empfohlene Ersatzteile

\*\* Motor spare parts: see motor lists - Parti di ricambio motore: vedi liste motore

\*\* Pièces détachées Moteur : voir listes moteur - Motor-Ersatzteile: gem. Motorlisten

SHF25-80\_5\_P\_Feb08\_EdB

## SHF 40/P - SHF4 40/P

ELP 3~, 2P	<b>40-125/11</b>	<b>40-125/15/P</b>	<b>40-125/22/P</b>	<b>40-160/30/P</b>	<b>40-160/40/P</b>	<b>40-200/55/P</b>	<b>40-200/75/P</b>	<b>40-250/110A/P</b>	<b>40-250/110/P</b>	<b>40-250/150/P</b>
	107430470	101291480	101291500	101291510	101291520	101291530	101291540	101291550	101291560	101291570
kw ->	1,1	1,5	2,2	3,0	4,0	5,5	7,5	11,0	11,0	15,0
ELP 3~, 4P	<b>40-125/02A</b>	<b>40-125/02</b>	<b>40-125/03</b>	<b>40-160/03</b>	<b>40-160/05</b>	<b>40-200/07</b>	<b>40-200/11/P</b>	<b>40-250/11/P</b>	<b>40-250/15/P</b>	<b>40-250/22/P</b>
	107430680	107430690	107430700	107430710	107430720	107430730	101296540	101296550	101296560	101296570
kw ->	0,25	0,25	0,37	0,37	0,55	0,75	1,1	1,1	1,5	2,2

### Kit

*4	Flexible coupling	KL10AA0	KL10AA1	KL10AA1	KL10AA2	KL10AA2	KL10AA6	KL10AA6	KL10AA4	KL10AA4	KL10AA4
		KL10AAZ	KL10AAZ	KL10AAZ	KL10AAZ	KL10AA0	KL10AA0	KL10AA1	KL10AA1	KL10AA1	KL10AA2
10	Coupling blocks	KL41AAK	KL41AAK	KL41AAK	KL41AAL	KL41AAL	KL41AAM	KL41AAM	KL41AAM	KL41AAM	KL41AAM
		KL41AAK	KL41AAK	KL41AAK	KL41AAK	KL41AAK	KL41AAK	KL41AAK	KL41AAK	KL41AAK	KL41AAL

### Single Unit, 2P

1	Pump	102209470	102209480	102209500	102209510	102209520	102209530	102209540	102209550	102209560	102209570
8	Pump shims										
**2	Motor 3~, 2P	107230480	50000RA00	50001RA00	50007RA00	50012VA00	50016VA00	50017VA00	50023VA00	50023VA00	50024VA00
	Size	80	90	90	100	112	132	132	160	160	160
3	Base	151403630	151403630	151403630	151403620	151403620	151403660	151403660	151403710	151403710	151403710
5	Protection net	164600240	164600240	164600240	164600250	164600250	164600260	164600260	164600270	164600270	164600270
6	Protection disc	160101230	160101230	160101230	160101230	160101230	160101230	160101230	160101230	160101230	160101230
7	Protection ring	168601120	168601120	168601120	168601120	168601120	168601120	168601120	168601120	168601120	168601120
9	Motor shims X 2	161402550	161402320	161402320	161402360		161402440	161402440			
		161402570	161402340	161402340	161402380	161402380	161402460	161402460	161402590	161402590	161402590

### Single Unit, 4P

1	Pump	102209500	102209510	102209520	102209530	102209540	102209550	102209560	102209570	102209470	102209490
8	Pump shims										
**2	Motor 3~, 4P	107230600	107230600	107230660	107230660	107230720	107230780	50005RA00	50005RA00	50006RA00	50010RA00
	Size	71	71	71	71	80	80	90	90	90	100
3	Base	151403610	151403610	151403610	151403600	151403600	151403630	151403630	151403650	151403650	151403650
5	Protection net	164600240	164600240	164600240	164600240	164600240	164600240	164600240	164600240	164600240	164600250
6	Protection disc	160101230	160101230	160101230	160101230	160101230	160101230	160101230	160101230	160101230	160101230
7	Protection ring	168601120	168601120	168601120	168601120	168601120	168601120	168601120	168601120	168601120	168601120
9	Motor shims X 4	161403150	161403150	161403150	161403170	161402720	161402760	161402740	161402950	161402950	161403050

~ recommended spare parts - parti di ricambio consigliate

\* Pièces détachées conseillées - Empfohlene Ersatzteile

\*\* Motor spare parts: see motor lists - Parti di ricambio motore: vedi liste motore

\*\* Pièces détachées Moteur : voir listes moteur - Motor-Ersatzteile: gem. Motorlisten

SHF25-80\_5\_P\_Feb08\_EdB

## SHF 50/P - SHF4 50/P

ELP 3~, 2P	50-125/22/P	50-125/30/P	50-125/40/P	50-160/55/P	50-160/75/P	50-200/110A/P	50-200/110/P	50-250/150/P	50-250/185/P	50-250/220	
	101291580	101291590	101291600	101291610	101291620	101291630	101291640	101291650	101291660	102201670	
kW ->		2,2	3,0	4,0	5,5	7,5	11,0	11,0	15,0	18,5	22,0
ELP 3~, 4P	50-125/03A	50-125/03	50-125/05	50-160/07	50-160/11/P	50-200/11/P	50-200/15/P	50-250/22A/P	50-250/22/P	50-250/30/P	
	107430750	107430760	107430770	107430780	101296620	101296630	101296640	101296650	101296660	101296670	
kW ->		0,37	0,37	0,55	0,75	1,1	1,1	1,5	2,2	2,2	3,0

### Kit

*4	Flexible coupling	KL10AA1	KL10AA2	KL10AA2	KL10AA3	KL10AA3	KL10AA4	KL10AA4	KL10AA4	KL10AA4	KL10AA7
		KL10AAZ	KL10AAZ	KL10AA0	KL10AA0	KL10AA1	KL10AA1	KL10AA1	KL10AA1	KL10AA2	KL10AA2
10	Coupling blocks	KL41AAK	KL41AAL	KL41AAL	KL41AAM	KL41AAM	KL41AAM	KL41AAM	KL41AAM	KL41AAM	KL41AAM
		KL41AAK	KL41AAK	KL41AAK	KL41AAK	KL41AAK	KL41AAK	KL41AAK	KL41AAK	KL41AAL	KL41AAL

### Single Unit, 2P

1	Pump	102209580	102209590	102209600	102209610	102209620	102209630	102209640	102209650	102209660	102209670
8	Pump shims										
**2	Motor 3~, 2P	50001RA00	50007RA00	50012VA00	50016VA00	50017VA00	50023VA00	50023VA00	50024VA00	50025VA00	130643890
	Size	90	100	112	132	132	160	160	160	160	180
3	Base	151403620	151403620	151403620	151403660	151403660	151403670	151403670	151403710	151403710	151403730
5	Protection net	164600240	164600250	164600250	164600260	164600260	164600270	164600270	164600270	164600270	164600270
6	Protection disc	160101230	160101230	160101230	160101230	160101230	160101230	160101230	160101230	160101230	160101230
7	Protection ring	168601120	168601120	168601120	168601120	168601120	168601120	168601120	168601120	168601120	168601120
9	Motor shims X 2	161402340	161402360		161402440	161402440					
		161402400	161402380	161402380	161402460	161402460			161402590	161402590	

### Single Unit, 4P

1	Pump	102209580	102209590	102209600	102209610	102209620	102209630	102209640	102209650	102209660	102209670
8	Pump shims										
**2	Motor 3~, 4P	107230660	107230660	107230720	107230780	50005RA00	50005RA00	50006RA00	50010RA00	50010RA00	50011RA00
	Size	71	71	80	80	90	90	90	100	100	100
3	Base	151403600	151403600	151403600	151403630	151403630	151403630	151403630	151403650	151403650	151403650
5	Protection net	164600240	164600240	164600240	164600240	164600240	164600240	164600240	164600250	164600250	164600250
6	Protection disc	160101230	160101230	160101230	160101230	160101230	160101230	160101230	160101230	160101230	160101230
7	Protection ring	168601120	168601120	168601120	168601120	168601120	168601120	168601120	168601120	168601120	168601120
9	Motor shims X 4	161403170	161403170	161402720	161402760	161402740	161402740	161402740	161403050	161403050	161403050

\* Recommended spare parts - Parti di ricambio consigliate

\* Pièces détachées conseillées - Empfohlene Ersatzteile

\*\* Motor spare parts: see motor lists - Parti di ricambio motore: vedi liste motore

\*\* Pièces détachées Moteur : voir listes moteur - Motor-Ersatzteile: gem. Motorlisten

SHF25-80\_5\_P\_Feb08\_EdB

## SHF 65/P - SHF4 65/P

ELP 3~, 2P	65-160/40/P	65-160/55/P	65-160/75/P	65-160/110A/P	65-160/110/P	65-200/150/P	65-200/185/P	65-200/220	65-250/300	65-250/370
	101291700	101291710	101291720	101291740	101291750	101291780	101291790	102201800	102201840	102201860
kw ->	4,0	5,5	7,5	11,0	11,0	15,0	18,5	22,0	30,0	37,0
ELP 3~, 4P	65-160/05	65-160/07	65-160/11A/P	65-160/11/P	65-160/15/P	65-200/15/P	65-200/22/P	65-200/30/P	65-250/40/P	65-250/55/P
	107430800	107430810	101296720	101296730	101296770	101296780	101296790	101296810	101296850	101296870
kw ->	0,55	0,75	1,1	1,1	1,5	1,5	2,2	3,0	4,0	5,5

### Kit

*4	Flexible coupling	KL10AA2	KL10AA3	KL10AA3	KL10AA4	KL10AA4	KL10AA4	KL10AA4	KL10AA8	KL10AA9	KL10AA9
		KL10AA0	KL10AA0	KL10AA1	KL10AA1	KL10AA1	KL10AA1	KL10AA2	KL10AA5	KL10AA5	KL10AA6
10	Coupling blocks	KL41AAL	KL41AAM	KL41AAM	KL41AAM	KL41AAM	KL41AAM	KL41AAM	KL41AAN	KL41AAP	KL41AAP
		KL41AAK	KL41AAK	KL41AAK	KL41AAK	KL41AAK	KL41AAK	KL41AAL	KL41AAM	KL41AAM	KL41AAM

### Single Unit, 2P

1	Pump	102209705	102209710	102209720	102209740	102209750	102209780	102209790	102209800	102209850	102209870
8	Pump shims										
**2	Motor, 3~, 2P	50012VA00	50016VA00	50017VA00	50023VA00	50023VA00	50024VA00	50025VA00	130643890	130643900	130643910
	Size	112	132	132	160	160	160	160	180	200	200
3	Base	151403650	151403650	151403650	151403720	151403720	151403710	151403710	151403730	151403750	151403750
5	Protection net	164600250	164600270	164600270	164600270	164600270	164600270	164600270	164600270	164600620	164600620
6	Protection disc	160101230	160101230	160101230	160101230	160101230	160101230	160101230	150101850	150101850	150101850
7	Protection ring	168601120	168601120	168601120	168601120	168601120	168601120	168601120	168601120	168601130	168601130
9	Motor shims x1		161402440	161402440						161403230	161403230
			161402460	161402460	161402590	161402590	161402590	161402590	161403250	161403250	
	Motor shims x2	161402990									

### Single Unit, 4P

1	Pump	-	102209710	102209730	102209740	102209750	102209775	102209790	102209810	102209850	102209870
8	Pump shims										
**2	Motor, 3~, 4P	107230720	107230780	50005RA00	50005RA00	50006RA00	50006RA00	50010RA00	50011RA00	50015VA00	50020VA00
	Size	80	80	90	90	90	90	100	100	112	132
3	Base	151403640	151403640	151403650	151403650	151403650	151403650	151403680	151403680	151403690	151403690
5	Protection net	164600590	164600590	164600590	164600590	164600590	164600590	164600590	164600590	164600610	164600610
6	Protection disc	160101230	160101230	160101230	160101230	160101230	160101230	160101230	160101230	150101850	150101850
7	Protection ring	168601120	168601120	168601120	168601120	168601120	168601120	168601120	168601120	168601130	168601130
9	Motor shims x2	161402760	161402760	161402740	161402740	161402740	161402950	161403050	161403050	161403130	161403030

\* Recommended spare parts - Parti di ricambio consigliate

\* Pièces détachées conseillées - Empfohlene Ersatzteile

\*\* Motor spare parts: see motor lists - Parti di ricambio motore: vedi liste motore

\*\* Pièces détachées Moteur : voir listes moteur - Motor-Ersatzteile: gem. Motorlisten

SHF25-80\_5\_P\_Feb08\_EdB

## SHF 80/P - SHF4 80/P

ELP 3 ~, 2P	<b>80-160/110/P</b>	<b>80-160/150/P</b>	<b>80-160/185/P</b>	<b>80-200/220</b>		<b>80-200/300</b>	<b>80-200/370</b>	<b>80-250/450</b>	<b>80-250/550</b>	<b>80-250/750</b>
	101291880	101291890	101291900	102201920		102201930	102201940	102201970	102201980	102201990
kw ->	<b>11.0</b>	<b>15.0</b>	<b>18.5</b>	<b>22.0</b>		<b>30.0</b>	<b>37.0</b>	<b>45.0</b>	<b>55.0</b>	<b>75.0</b>
ELP 3 ~, 4P	<b>80-160/15/P</b>	<b>80-160/22A/P</b>	<b>80-160/22/P</b>	<b>80-200/30/P</b>	<b>80-200/40/P</b>			<b>80-250/55/P</b>	<b>80-250/75/P</b>	<b>80-250/110/P</b>
	101296880	101296900	101296910	101296920	101296930			101296970	101296980	101296990
kw ->	<b>1.5</b>	<b>2.2</b>	<b>2.2</b>	<b>3.0</b>	<b>4.0</b>			<b>5.5</b>	<b>7.5</b>	<b>9.2</b>

### Kit

*4	Flexible coupling	KL10AA4	KL10AA4	KL10AA4	KL10AA8		KL10AA9	KL10AA9	KL10AA9	KL10ABA	KL10ABX
		KL10AA1	KL10AA2	KL10AA2	KL10AA5	KL10AA5				KL10AA6	KL10AA6
10	Coupling blocks	KL41AAM	KL41AAM	KL41AAM	KL41AAN		KL41AAP	KL41AAP	KL41AAP	KL41AAQ	KL41AAM
		KL41AAK	KL41AAL	KL41AAL	KL41AAM	KL41AAM				KL41AAM	KL41AAM

### Single Unit, 2P

1	Pump	102209880	102209890	102209900	102209920		102209940	102209950	102209970	102209980	102209990
8	Pump shims									161407830	
**2	Motor 3~, 2P	50023VA00	50024VA00	50025VA00	130643890		130643900	130643910	130643920	130643930	130643940
	Size	160	160	160	180		200	200	225	250	280
3	Base	151403710	151403710	151403710	151403720		151403760	151403760	151403770	151403780	151403790
5	Protection net	164600270	164600270	164600270	164600620		164600620	164600620	164600620	164600630	164600630
6	Protection disc	160101230	160101230	160101230	160101850		160101850	160101850	160101850	160101850	160101850
7	Protection ring	168601120	168601120	168601120	168601130		168601130	168601130	168601130	168601130	168601130
9	Motor shims x1								161404360		
							161403230	161403230	161407780		
	Motor shims x2								161404380		
		161402590	161402590	161402590	161402590		161403250	161403250	161407800	161404690	

### Single Unit, 4P

1	Pump	102209880	102209890	102209900	102209920	102209930			102209970	102209980	102209990
									161407810	161407810	161407810
**2	Motor 3~, 4P	50006RA00	50010RA00	50010RA00	50011RA00	50015VA00			50020VA00	50021VA00	50027VA00
	Size	90	100	100	100	112			132	132	160
3	Base	151403650	151403680	151403680	151403700	151403700			151403730	151403730	151403730
5	Protection net	164600610	164600250	164600250	164600610	164600610			164600610	164600610	164600610
6	Protection disc	160101850	160101850	160101850	160101850	160101850			160101850	160101850	160101850
7	Protection ring	168601130	168601120	168601120	168601130	168601130			168601130	168601130	168601130
9	Motor shims x1								161407770	161407770	161407770
	Motor shims x2	161402950	161403050	161403050	161403050	161403030			161407790	161407790	161407790

\* Recommended spare parts - Parti di ricambio consigliate

\* Pièces détachées conseillées - Empfohlene Ersatzteile

\*\* Motor spare parts: see motor lists - Parti di ricambio motore: vedi liste motore

\*\* Pièces détachées Moteur : voir listes moteur - Motor-Ersatzteile: gem. Motorlisten