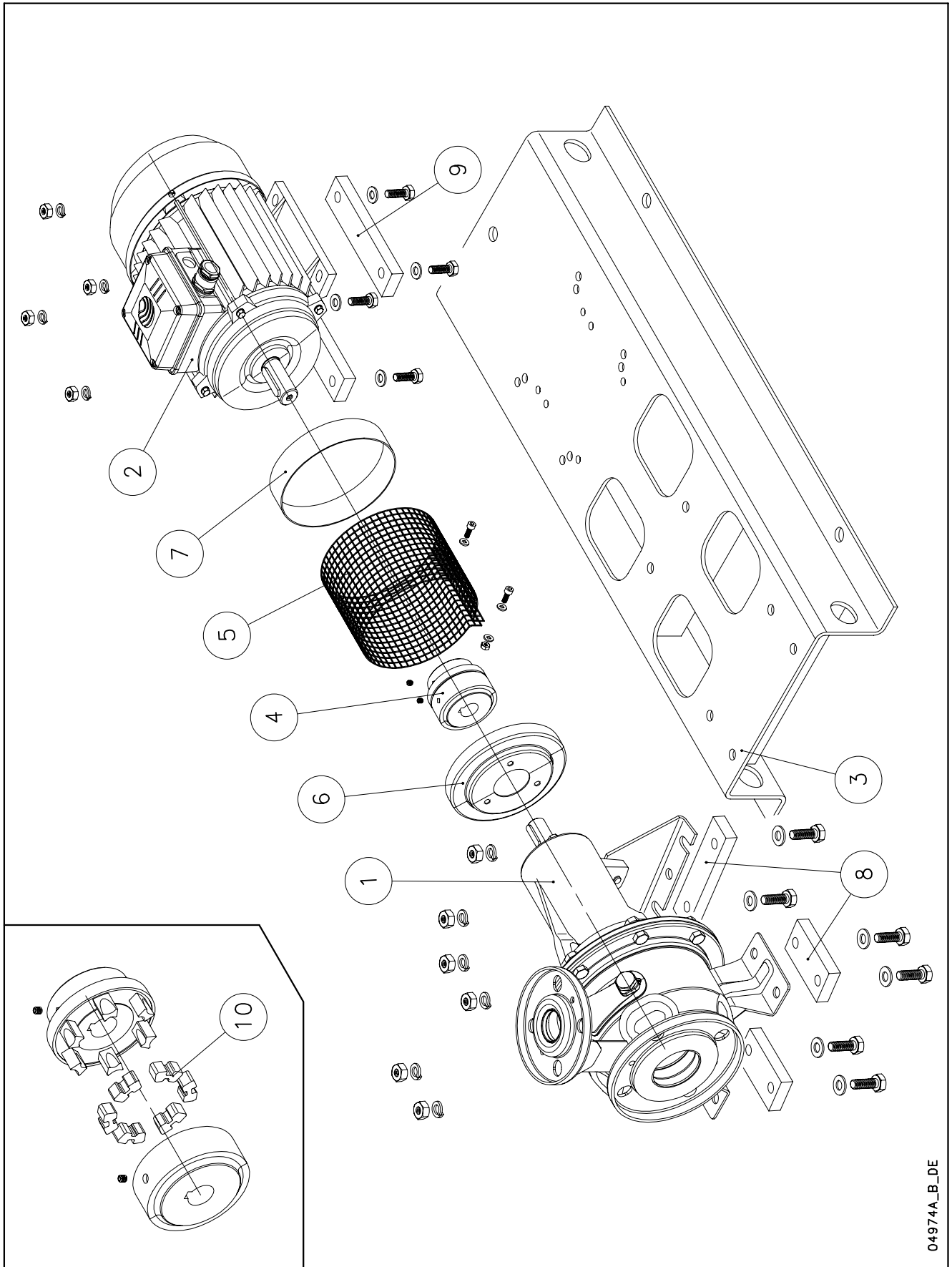


## SHF - SHF4 / GSHF - GSHF4



04974A\_B\_DE

Lowara, Vogel Pumpen are trademarks of Xylem Inc. or one of its subsidiaries. Goulds is a registered trademark of Goulds Pumps, Inc. and is used under license.

| N. | Descrizione<br>it                  | Description<br>en              | Description<br>fr               | Beschreibung<br>de               | Descripción<br>es                | Descrição<br>pt               |
|----|------------------------------------|--------------------------------|---------------------------------|----------------------------------|----------------------------------|-------------------------------|
| 1  | Pompa                              | Pump                           | Pompe                           | Pumpe                            | Bomba                            | Bomba                         |
| 2  | Motore                             | Motor                          | Moteur                          | Motor                            | Motor                            | Motor                         |
| 3  | Base                               | Base                           | Base                            | Basis                            | Base                             | Base                          |
| 4  | Giunto elastico                    | Flexible coupling              | Manchon élastique               | Elastische Kupplung              | Junta elástica                   | Junta elástica                |
| 5  | Rete protezione giunto             | Coupling protection net        | Grille protection manchon       | Schutznetz Kupplung              | Red de protección junta          | Rede protecção junta          |
| 6  | Disco protezione giunto            | Coupling protection disk       | Disque protection manchon       | Schutzscheibe Kupplung           | Disco de protección junta        | Disco protecção junta         |
| 7  | Anello protezione giunto           | Coupling protection grommet    | Anneau protection manchon       | Schutzring Kupplung              | Anillo de protección junta       | Anel protecção junta          |
| 8  | Spessori pompa                     | Pump shims                     | Cales pompe                     | Distanzstücke Pumpe              | Espesores bomba                  | Calços bomba                  |
| 9  | Spessori motore                    | Motor shims                    | Cales moteur                    | Distanzstücke Motor              | Espesores motor                  | Calços motor                  |
| 10 | Elemento elastico<br>del giunto    | Coupling flexible<br>element   | Élément élastique<br>du manchon | Elastisches Element der Kupplung | Elemento elástico<br>de la junta | Elemento elástico<br>da junta |
|    |                                    |                                |                                 |                                  |                                  |                               |
|    |                                    |                                |                                 |                                  |                                  |                               |
|    |                                    |                                |                                 |                                  |                                  |                               |
| N. | Beschrijving<br>nl                 | Περιγραφή<br>el                | Açıklama<br>tr                  | Kuvaus<br>fi                     | Описание<br>ru                   | Opis<br>pl                    |
| 1  | Pomp                               | Αντλία                         | Pompa                           | Pumppu                           | Насос                            | Pompa                         |
| 2  | Motor                              | Κινητήρας                      | Motor                           | Moottori                         | Двигатель                        | Silnik                        |
| 3  | Pompvoet                           | Βάση                           | Taban                           | Perusta                          | Основание                        | Podstawa                      |
| 4  | Elastische koppeling               | Ελαστικός σύνδεσμος            | Esnek kaplin                    | Joustokytkin                     | Упругое соединение               | Sprzęgło sprężyste            |
| 5  | Koppelingsbeschermerrooster        | Πλέγμα προστασίας συνδέσμου    | Kaplin koruma ağı               | Kytkimen suojaverkko             | Сетка для защиты соединения      | Siatka ochronna sprzęgła      |
| 6  | Koppelingsbeschermplaat            | Δίσκος προστασίας συνδέσμου    | Kaplin koruma diski             | Kytkimen suoja levy              | Диск для защиты соединения       | Tarcza ochronna sprzęgła      |
| 7  | Koppelingsbeschertring             | Δακτύλιος προστασίας συνδέσμου | Kaplin koruma halkası           | Kytkimen suoja rengas            | Кольцо для защиты соединения     | Pierścień ochronny sprzęgła   |
| 8  | Tussenstukken pomp                 | Παρεμβύσματα αντλίας           | Pompa ayar pulları              | Pumpun kiilat                    | Утолщающие прокладки насоса      | Podkładki pompy               |
| 9  | Tussenstukken motor                | Παρεμβύσματα κινητήρα          | Motor ayar pulları              | Moottorin kiilat                 | Утолщающие прокладки двигателя   | Podkładki silnika             |
| 10 | Elastisch element van de koppeling | Ελαστικό στοιχείο κινητήρα     | Kaplinin esnek parçası          | Kytkimen jousto-osa              | Упругий элемент соединения       | Element sprężysty sprzęgła    |
|    |                                    |                                |                                 |                                  |                                  |                               |
|    |                                    |                                |                                 |                                  |                                  |                               |
|    |                                    |                                |                                 |                                  |                                  |                               |

## SHF 25 - SHF4 25

|            |                   |                  |                  |                  |                  |                  |                  |                  |                   |
|------------|-------------------|------------------|------------------|------------------|------------------|------------------|------------------|------------------|-------------------|
| ELP 3~, 2P | <b>25-125/07</b>  | <b>25-125/11</b> | <b>25-160/15</b> | <b>25-160/22</b> | <b>25-200/30</b> | <b>25-200/40</b> | <b>25-250/55</b> | <b>25-250/75</b> | <b>25-250/110</b> |
|            | -                 | 107430270        | 102201320        | 102201325        | 102201330        | 102201335        | -                | -                | -                 |
| kW ->      | <b>0,75</b>       | <b>1,1</b>       | <b>1,5</b>       | <b>2,2</b>       | <b>3,0</b>       | <b>4,0</b>       | <b>5,5</b>       | <b>7,5</b>       | <b>11,0</b>       |
| ELP 3~, 4P | <b>25-125/02A</b> | <b>25-125/02</b> | <b>25-160/02</b> | <b>25-160/03</b> | <b>25-200/03</b> | <b>25-200/05</b> | <b>25-250/07</b> |                  |                   |
|            | TBD               | TBD              | TBD              | 107430550        | TBD              | TBD              | TBD              |                  |                   |
| kW ->      | <b>0,25</b>       | <b>0,25</b>      | <b>0,25</b>      | <b>0,37</b>      | <b>0,37</b>      | <b>0,55</b>      | <b>0,75</b>      |                  |                   |

### Kit

|    |                   |         |         |         |         |         |         |         |         |         |
|----|-------------------|---------|---------|---------|---------|---------|---------|---------|---------|---------|
| *4 | Flexible coupling | KL10AA0 | KL10AA0 | KL10AA1 | KL10AA1 | KL10AA2 | KL10AA2 | KL10AA3 | KL10AA3 | KL10AA4 |
|    |                   | KL10AAZ | KL10AAZ | KL10AAZ | KL10AAZ | KL10AAZ | KL10AA0 | KL10AA0 |         |         |
| 10 | Coupling blocks   | KL41AAK | KL41AAK | KL41AAK | KL41AAK | KL41AAL | KL41AAL | KL41AAM | KL41AAM | KL41AAM |
|    |                   | KL41AAK | KL41AAK | KL41AAK | KL41AAK | KL41AAK | KL41AAK | KL41AAK |         |         |

### Single Unit, 2P

|     |                 |           |           |           |           |           |           |           |           |           |
|-----|-----------------|-----------|-----------|-----------|-----------|-----------|-----------|-----------|-----------|-----------|
| 1   | Pump            | -         | 102209270 | 102209280 | 102209290 | -         | 102209310 | -         | -         | -         |
| 8   | Pump shims      |           |           |           |           |           |           |           |           |           |
| **2 | Motor 3~, 2P    | 107230460 | 107230480 | 107106230 | 107106240 | 107106290 | 107106320 | 107106360 | 107106370 | 107106410 |
|     |                 | 80        | 80        | 90        | 90        | 100       | 112       | 132       | 132       | 160       |
| 3   | Base            | 151403600 | 151403600 | 151403620 | 151403620 | 151403620 | 151403620 | 151403680 | 151403680 | 151403710 |
| 5   | Protection net  | 164600240 | 164600240 | 164600240 | 164600240 | 164600250 | 164600250 | 164600260 | 164600260 | 164600270 |
| 6   | Protection disc | 160101230 | 160101230 | 160101230 | 160101230 | 160101230 | 160101230 | 160101230 | 160101230 | 160101230 |
| 7   | Protection ring | 168601120 | 168601120 | 168601120 | 168601120 | 168601120 | 168601120 | 168601120 | 168601120 | 168601120 |
| 9   | Motor shims X 2 | 161402550 | 161402550 | 161402340 | 161402340 | 161403010 | 161402990 | 161402990 | 161402990 |           |
|     |                 | 161402570 | 161402570 | 161402400 | 161402400 | 161403010 | 161402990 | 161402990 | 161402990 | 161402590 |

### Single Unit, 4P

|     |                 |           |           |           |           |           |           |           |  |  |
|-----|-----------------|-----------|-----------|-----------|-----------|-----------|-----------|-----------|--|--|
| 1   | Pump            | -         | 102209270 | 102209280 | 102209290 | TBD       | 102209310 | TBD       |  |  |
| 8   | Pump shims      |           |           |           |           |           |           |           |  |  |
| **2 | Motor 3~, 4P    | 107230600 | 107230600 | 107230600 | 107230660 | 107230660 | 107230720 | 107230780 |  |  |
|     | Size            | 71        | 71        | 71        | 71        | 71        | 80        | 80        |  |  |
| 3   | Base            | 151403600 | 151403600 | 151403600 | 151403600 | 151403600 | 151403600 | 151403650 |  |  |
| 5   | Protection net  | 164600240 | 164600240 | 164600240 | 164600240 | 164600240 | 164600240 | 164600240 |  |  |
| 6   | Protection disc | 160101230 | 160101230 | 160101230 | 160101230 | 160101230 | 160101230 | 160101230 |  |  |
| 7   | Protection ring | 168601120 | 168601120 | 168601120 | 168601120 | 168601120 | 168601120 | 168601120 |  |  |
| 9   | Motor shims X 4 | 161403150 | 161403150 | 161403170 | 161403170 | 161403190 | 161402760 | 161402970 |  |  |

\* Recommended spare parts - Parti di ricambio consigliate

\* Pièces détachées conseillées - Empfohlene Ersatzteile

\*\* Motor spare parts: see motor lists - Parti di ricambio motore: vedi liste motore

\*\* Pièces détachées Moteur : voir listes moteur - Motor-Ersatzteile: gem. Motorlisten

## SHF 32 - SHF4 32

|                   |                   |                  |                  |                  |                  |                  |                          |                  |                   |             |
|-------------------|-------------------|------------------|------------------|------------------|------------------|------------------|--------------------------|------------------|-------------------|-------------|
| ELP 3~, 2P        | <b>32-125/07</b>  | <b>32-125/11</b> | <b>32-160/15</b> | <b>32-160/22</b> | <b>32-200/30</b> | <b>32-200/40</b> | <b>32-250/55</b>         | <b>32-250/75</b> | <b>32-250/110</b> |             |
|                   | 107430360         | 107430370        | 102201380        | 102201390        | 102201400        | 102201410        | 102201420                | 102201430        | 102201440         |             |
| kW ->             |                   | <b>0,75</b>      | <b>1,1</b>       | <b>1,5</b>       | <b>2,2</b>       | <b>3,0</b>       | <b>4,0</b>               | <b>5,5</b>       | <b>7,5</b>        | <b>11,0</b> |
| ELP 3~, 4P        | <b>32-125/02A</b> | <b>32-125/02</b> | <b>32-160/02</b> | <b>32-160/03</b> | <b>32-200/03</b> | <b>32-200/05</b> | <b>32-250/07</b>         | <b>32-250/11</b> | <b>32-250/15</b>  |             |
|                   | 107430600         | 107430610        | 107430620        | 107430630        | 107430640        | 107430650        | 107430660                | 102206430        | 102206440         |             |
| kW ->             |                   | <b>0,25</b>      | <b>0,25</b>      | <b>0,25</b>      | <b>0,37</b>      | <b>0,37</b>      | <b>0,55</b>              | <b>0,75</b>      | <b>1,1</b>        | <b>1,5</b>  |
| Motor SM - finned |                   |                  | Motor LM - SM    |                  |                  |                  | Motor LM - with tie rods |                  |                   |             |

### Kit

|    |                   |         |         |         |         |         |         |         |         |         |
|----|-------------------|---------|---------|---------|---------|---------|---------|---------|---------|---------|
| *4 | Flexible coupling | KL10AA0 | KL10AA0 | KL10AA1 | KL10AA1 | KL10AA2 | KL10AA2 | KL10AA3 | KL10AA3 | KL10AA4 |
|    |                   | KL10AAZ | KL10AAZ | KL10AAZ | KL10AAZ | KL10AAZ | KL10AA0 | KL10AA0 | KL10AA1 | KL10AA1 |
| 10 | Coupling blocks   | KL41AAK | KL41AAK | KL41AAK | KL41AAK | KL41AAL | KL41AAL | KL41AAM | KL41AAM | KL41AAM |
|    |                   | KL41AAK | KL41AAK | KL41AAK | KL41AAK | KL41AAK | KL41AAK | KL41AAK | KL41AAK | KL41AAK |

### Single Unit, 2P

|     |                 |           |           |           |           |           |           |           |           |           |
|-----|-----------------|-----------|-----------|-----------|-----------|-----------|-----------|-----------|-----------|-----------|
| 1   | Pump            | 102209360 | 102209370 | 102209380 | 102209390 | 102209400 | 102209410 | 102209420 | 102209430 | 102209440 |
| 8   | Pump shims      |           |           |           |           |           |           |           |           |           |
| **2 | Motor 3~, 2P    | 107230460 | 107230480 | 107106230 | 107106240 | 107106290 | 107106320 | 107106360 | 107106370 | 107106410 |
|     | Size            | 80        | 80        | 90        | 90        | 100       | 112       | 132       | 132       | 160       |
| 3   | Base            | 151403600 | 151403600 | 151403620 | 151403620 | 151403620 | 151403620 | 151403680 | 151403680 | 151403710 |
| 5   | Protection net  | 164600240 | 164600240 | 164600240 | 164600240 | 164600250 | 164600250 | 164600260 | 164600260 | 164600270 |
| 6   | Protection disc | 160101230 | 160101230 | 160101230 | 160101230 | 160101230 | 160101230 | 160101230 | 160101230 | 160101230 |
| 7   | Protection ring | 168601120 | 168601120 | 168601120 | 168601120 | 168601120 | 168601120 | 168601120 | 168601120 | 168601120 |
| 9   | Motor shims X 2 | 161402550 | 161402550 | 161402340 | 161402340 | 161403010 | 161402990 | 161402990 | 161402990 |           |
|     |                 | 161402570 | 161402570 | 161402400 | 161402400 | 161403010 | 161402990 | 161402990 | 161402990 | 161402590 |

### Single Unit, 4P

|     |                 |           |           |           |           |           |           |           |           |           |
|-----|-----------------|-----------|-----------|-----------|-----------|-----------|-----------|-----------|-----------|-----------|
| 1   | Pump            | 102209360 | 102209370 | 102209380 | 102209390 | 102209400 | 102209410 | 102209420 | 102209430 | 102209440 |
| 8   | Pump shims      |           |           |           |           |           |           |           |           |           |
| **2 | Motor 3~, 4P    | 107230600 | 107230600 | 107230600 | 107230660 | 107230660 | 107230720 | 107230780 | 107106610 | 107106620 |
|     | Size            | 71        | 71        | 71        | 71        | 71        | 80        | 80        |           |           |
| 3   | Base            | 151403600 | 151403600 | 151403600 | 151403600 | 151403600 | 151403600 | 151403650 | 151403650 | 151403650 |
| 5   | Protection net  | 164600240 | 164600240 | 164600240 | 164600240 | 164600240 | 164600240 | 164600240 | 164600240 | 164600240 |
| 6   | Protection disc | 160101230 | 160101230 | 160101230 | 160101230 | 160101230 | 160101230 | 160101230 | 160101230 | 160101230 |
| 7   | Protection ring | 168601120 | 168601120 | 168601120 | 168601120 | 168601120 | 168601120 | 168601120 | 168601120 | 168601120 |
| 9   | Motor shims X 4 | 161403150 | 161403150 | 161403170 | 161403170 | 161403190 | 161402760 | 161402970 | 161402950 | 161402950 |

\* Recommended spare parts - Parti di ricambio consigliate

\* Pièces détachées conseillées - Empfohlene Ersatzteile

\*\* Motor spare parts: see motor lists - Parti di ricambio motore: vedi liste motore

\*\* Pièces détachées Moteur : voir listes moteur - Motor-Ersatzteile: gem. Motorlisten

## SHF 40 - SHF4 40

|            |            |           |           |           |           |           |           |             |            |            |
|------------|------------|-----------|-----------|-----------|-----------|-----------|-----------|-------------|------------|------------|
| ELP 3~, 2P | 40-125/11  | 40-125/15 | 40-125/22 | 40-160/30 | 40-160/40 | 40-200/55 | 40-200/75 | 40-250/110A | 40-250/110 | 40-250/150 |
|            | 107430470  | 102201480 | 102201500 | 102201510 | 102201520 | 102201530 | 102201540 | 102201550   | 102201560  | 102201570  |
| kw ->      |            | 1,1       | 1,5       | 2,2       | 3,0       | 4,0       | 5,5       | 7,5         | 11,0       | 15,0       |
| ELP 3~, 4P | 40-125/02A | 40-125/02 | 40-125/03 | 40-160/03 | 40-160/05 | 40-200/07 | 40-200/11 | 40-250/11   | 40-250/15  | 40-250/22  |
|            | 107430680  | 107430690 | 107430700 | 107430710 | 107430720 | 107430730 | 102206540 | 102206550   | 102206560  | 102206570  |
| kw ->      |            | 0,25      | 0,25      | 0,37      | 0,37      | 0,55      | 0,75      | 1,1         | 1,5        | 2,2        |

### Kit

|    |                   |         |         |         |         |         |         |         |         |         |         |
|----|-------------------|---------|---------|---------|---------|---------|---------|---------|---------|---------|---------|
| *4 | Flexible coupling | KL10AA0 | KL10AA1 | KL10AA1 | KL10AA2 | KL10AA2 | KL10AA6 | KL10AA6 | KL10AA4 | KL10AA4 | KL10AA4 |
|    |                   | KL10AAZ | KL10AAZ | KL10AAZ | KL10AAZ | KL10AA0 | KL10AA0 | KL10AA1 | KL10AA1 | KL10AA1 | KL10AA2 |
| 10 | Coupling blocks   | KL41AAK | KL41AAK | KL41AAK | KL41AAL | KL41AAL | KL41AAM | KL41AAM | KL41AAM | KL41AAM | KL41AAM |
|    |                   | KL41AAK | KL41AAK | KL41AAK | KL41AAK | KL41AAK | KL41AAK | KL41AAK | KL41AAK | KL41AAK | KL41AAL |

### Single Unit, 2P

|     |                 |           |           |           |           |           |           |           |           |           |           |
|-----|-----------------|-----------|-----------|-----------|-----------|-----------|-----------|-----------|-----------|-----------|-----------|
| 1   | Pump            | 102209470 | 102209480 | 102209500 | 102209510 | 102209520 | 102209530 | 102209540 | 102209550 | 102209560 | 102209570 |
| 8   | Pump shims      |           |           |           |           |           |           |           |           |           |           |
| **2 | Motor 3~, 2P    | 107230480 | 107106230 | 107106240 | 107106290 | 107106320 | 107106360 | 107106370 | 107106410 | 107106410 | 107106420 |
|     | Size            | 80        | 90        | 90        | 100       | 112       | 132       | 132       | 160       | 160       | 160       |
| 3   | Base            | 151403630 | 151403630 | 151403630 | 151403620 | 151403620 | 151403660 | 151403660 | 151403710 | 151403710 | 151403710 |
| 5   | Protection net  | 164600240 | 164600240 | 164600240 | 164600250 | 164600250 | 164600260 | 164600260 | 164600270 | 164600270 | 164600270 |
| 6   | Protection disc | 160101230 | 160101230 | 160101230 | 160101230 | 160101230 | 160101230 | 160101230 | 160101230 | 160101230 | 160101230 |
| 7   | Protection ring | 168601120 | 168601120 | 168601120 | 168601120 | 168601120 | 168601120 | 168601120 | 168601120 | 168601120 | 168601120 |
| 9   | Motor shims X 2 | 161402550 | 161402320 | 161402320 | 161402360 |           | 161402440 | 161402440 |           |           |           |
|     |                 | 161402570 | 161402340 | 161402340 | 161402380 | 161402380 | 161402460 | 161402460 | 161402590 | 161402590 | 161402590 |

### Single Unit, 4P

|     |                 |           |           |           |           |           |           |           |           |           |           |
|-----|-----------------|-----------|-----------|-----------|-----------|-----------|-----------|-----------|-----------|-----------|-----------|
| 1   | Pump            | 102209500 | 102209510 | 102209520 | 102209530 | 102209540 | 102209550 | 102209560 | 102209570 | 102209470 | 102209490 |
| 8   | Pump shims      |           |           |           |           |           |           |           |           |           |           |
| **2 | Motor 3~, 4P    | 107230600 | 107230600 | 107230660 | 107230660 | 107230720 | 107230780 | 107106610 | 107106610 | 107106620 | 107106650 |
|     | Size            | 71        | 71        | 71        | 71        | 80        | 80        | 90        | 90        | 90        | 100       |
| 3   | Base            | 151403610 | 151403610 | 151403610 | 151403600 | 151403600 | 151403630 | 151403630 | 151403650 | 151403650 | 151403650 |
| 5   | Protection net  | 164600240 | 164600240 | 164600240 | 164600240 | 164600240 | 164600240 | 164600240 | 164600240 | 164600240 | 164600250 |
| 6   | Protection disc | 160101230 | 160101230 | 160101230 | 160101230 | 160101230 | 160101230 | 160101230 | 160101230 | 160101230 | 160101230 |
| 7   | Protection ring | 168601120 | 168601120 | 168601120 | 168601120 | 168601120 | 168601120 | 168601120 | 168601120 | 168601120 | 168601120 |
| 9   | Motor shims X 4 | 161403150 | 161403150 | 161403150 | 161403170 | 161402720 | 161402760 | 161402740 | 161402950 | 161402950 | 161403050 |

\* recommended spare parts - parti ai ricambio consigliate

\* Pièces détachées conseillées - Empfohlene Ersatzteile

\*\* Motor spare parts: see motor lists - Parti di ricambio motore: vedi liste motore

\*\* Pièces détachées Moteur : voir listes moteur - Motor-Ersatzteile: gem. Motorlisten

SHF25-80\_5\_Jan00\_EdD

## SHF 50 - SHF4 50

| ELP 3~, 2P | 50-125/22  | 50-125/30 | 50-125/40 | 50-160/55 | 50-160/75 | 50-200/110A | 50-200/110 | 50-250/150 | 50-250/185 | 50-250/220 |
|------------|------------|-----------|-----------|-----------|-----------|-------------|------------|------------|------------|------------|
|            | 102201580  | 102201590 | 102201600 | 102201610 | 102201620 | 102201630   | 102201640  | 102201650  | 102201660  | 102201670  |
| kW ->      | 2,2        | 3,0       | 4,0       | 5,5       | 7,5       | 11,0        | 11,0       | 15,0       | 18,5       | 22,0       |
| ELP 3~, 4P | 50-125/03A | 50-125/03 | 50-125/05 | 50-160/07 | 50-160/11 | 50-200/11   | 50-200/15  | 50-250/22A | 50-250/22  | 50-250/30  |
|            | 107430750  | 107430760 | 107430770 | 107430780 | 102206620 | 102206630   | 102206640  | 102206650  | 102206660  | 102206670  |
| kW ->      | 0,37       | 0,37      | 0,55      | 0,75      | 1,1       | 1,1         | 1,5        | 2,2        | 2,2        | 3,0        |

### Kit

|    |                   |         |         |         |         |         |         |         |         |         |         |
|----|-------------------|---------|---------|---------|---------|---------|---------|---------|---------|---------|---------|
| *4 | Flexible coupling | KL10AA1 | KL10AA2 | KL10AA2 | KL10AA3 | KL10AA3 | KL10AA4 | KL10AA4 | KL10AA4 | KL10AA4 | KL10AA7 |
|    |                   | KL10AAZ | KL10AAZ | KL10AA0 | KL10AA0 | KL10AA1 | KL10AA1 | KL10AA1 | KL10AA1 | KL10AA2 | KL10AA2 |
| 10 | Coupling blocks   | KL41AAK | KL41AAL | KL41AAL | KL41AAM | KL41AAM | KL41AAM | KL41AAM | KL41AAM | KL41AAM | KL41AAN |
|    |                   | KL41AAK | KL41AAK | KL41AAK | KL41AAK | KL41AAK | KL41AAK | KL41AAK | KL41AAK | KL41AAL | KL41AAL |

### Single Unit, 2P

|     |                 |           |           |           |           |           |           |           |           |           |           |
|-----|-----------------|-----------|-----------|-----------|-----------|-----------|-----------|-----------|-----------|-----------|-----------|
| 1   | Pump            | 102209580 | 102209590 | 102209600 | 102209610 | 102209620 | 102209630 | 102209640 | 102209650 | 102209660 | 102209670 |
| 8   | Pump shims      |           |           |           |           |           |           |           |           |           |           |
| **2 | Motor 3~, 2P    | 107106240 | 107106290 | 107106320 | 107106360 | 107106370 | 107106410 | 107106410 | 107106420 | 107106430 | 130643890 |
|     | Size            | 90        | 100       | 112       | 132       | 132       | 160       | 160       | 160       | 160       | 180       |
| 3   | Base            | 151403620 | 151403620 | 151403620 | 151403660 | 151403660 | 151403670 | 151403670 | 151403710 | 151403710 | 151403730 |
| 5   | Protection net  | 164600240 | 164600250 | 164600250 | 164600260 | 164600260 | 164600270 | 164600270 | 164600270 | 164600270 | 164600270 |
| 6   | Protection disc | 160101230 | 160101230 | 160101230 | 160101230 | 160101230 | 160101230 | 160101230 | 160101230 | 160101230 | 160101230 |
| 7   | Protection ring | 168601120 | 168601120 | 168601120 | 168601120 | 168601120 | 168601120 | 168601120 | 168601120 | 168601120 | 168601120 |
| 9   | Motor shims X 2 | 161402340 | 161402360 |           | 161402440 | 161402440 |           |           |           |           |           |
|     |                 | 161402400 | 161402380 | 161402380 | 161402460 | 161402460 |           |           | 161402590 | 161402590 |           |

### Single Unit, 4P

|     |                 |           |           |           |           |           |           |           |           |           |           |
|-----|-----------------|-----------|-----------|-----------|-----------|-----------|-----------|-----------|-----------|-----------|-----------|
| 1   | Pump            | 102209580 | 102209590 | 102209600 | 102209610 | 102209620 | 102209630 | 102209640 | 102209650 | 102209660 | 102209670 |
| 8   | Pump shims      |           |           |           |           |           |           |           |           |           |           |
| **2 | Motor 3~, 4P    | 107230660 | 107230660 | 107230720 | 107230780 | 107106610 | 107106610 | 107106620 | 107106650 | 107106650 | 107106660 |
|     | Size            | 71        | 71        | 80        | 80        | 90        | 90        | 90        | 100       | 100       | 100       |
| 3   | Base            | 151403600 | 151403600 | 151403600 | 151403630 | 151403630 | 151403630 | 151403630 | 151403650 | 151403650 | 151403650 |
| 5   | Protection net  | 164600240 | 164600240 | 164600240 | 164600240 | 164600240 | 164600240 | 164600240 | 164600250 | 164600250 | 164600250 |
| 6   | Protection disc | 160101230 | 160101230 | 160101230 | 160101230 | 160101230 | 160101230 | 160101230 | 160101230 | 160101230 | 160101230 |
| 7   | Protection ring | 168601120 | 168601120 | 168601120 | 168601120 | 168601120 | 168601120 | 168601120 | 168601120 | 168601120 | 168601120 |
| 9   | Motor shims X 4 | 161403170 | 161403170 | 161402720 | 161402760 | 161402740 | 161402740 | 161402740 | 161403050 | 161403050 | 161403050 |

\* Recommended spare parts - Parti di ricambio consigliate

\* Pièces détachées conseillées - Empfohlene Ersatzteile

\*\* Motor spare parts: see motor lists - Parti di ricambio motore: vedi liste motore

\*\* Pièces détachées Moteur : voir listes moteur - Motor-Ersatzteile: gem. Motorlisten

SHF25-80\_5\_Jan00\_EdD

## SHF 65 - SHF4 65

|            |           |           |            |             |            |            |            |            |            |            |
|------------|-----------|-----------|------------|-------------|------------|------------|------------|------------|------------|------------|
| ELP 3~, 2P | 65-160/40 | 65-160/55 | 65-160/75  | 65-160/110A | 65-160/110 | 65-200/150 | 65-200/185 | 65-200/220 | 65-250/300 | 65-250/370 |
|            | 102201700 | 102201710 | 102201720  | 102201740   | 102201750  | 102201780  | 102201790  | 102201800  | 102201840  | 102201860  |
| kW ->      | 4,0       | 5,5       | 7,5        | 11,0        | 11,0       | 15,0       | 18,5       | 22,0       | 30,0       | 37,0       |
| ELP 3~, 4P | 65-160/05 | 65-160/07 | 65-160/11A | 65-160/11   | 65-160/15  | 65-200/15  | 65-200/22  | 65-200/30  | 65-250/40  | 65-250/55  |
|            | 107430800 | 107430810 | 102206720  | 102206730   | 102206770  | 102206780  | 102206790  | 102206810  | 102206850  | 102206870  |
| kW ->      | 0,55      | 0,75      | 1,1        | 1,1         | 1,5        | 1,5        | 2,2        | 3,0        | 4,0        | 5,5        |

### Kit

|    |                   |         |         |         |         |         |         |         |         |         |         |
|----|-------------------|---------|---------|---------|---------|---------|---------|---------|---------|---------|---------|
| *4 | Flexible coupling | KL10AA2 | KL10AA3 | KL10AA3 | KL10AA4 | KL10AA4 | KL10AA4 | KL10AA4 | KL10AA8 | KL10AA9 | KL10AA9 |
|    |                   | KL10AA0 | KL10AA0 | KL10AA1 | KL10AA1 | KL10AA1 | KL10AA1 | KL10AA2 | KL10AA5 | KL10AA5 | KL10AA6 |
| 10 | Coupling blocks   | KL41AAL | KL41AAM | KL41AAM | KL41AAM | KL41AAM | KL41AAM | KL41AAM | KL41AAN | KL41AAP | KL41AAP |
|    |                   | KL41AAK | KL41AAK | KL41AAK | KL41AAK | KL41AAK | KL41AAK | KL41AAL | KL41AAM | KL41AAM | KL41AAM |

### Single Unit, 2P

|     |                 |           |           |           |           |           |           |           |           |           |           |
|-----|-----------------|-----------|-----------|-----------|-----------|-----------|-----------|-----------|-----------|-----------|-----------|
| 1   | Pump            | 102209705 | 102209710 | 102209720 | 102209740 | 102209750 | 102209780 | 102209790 | 102209800 | 102209850 | 102209870 |
| 8   | Pump shims      |           |           |           |           |           |           |           |           |           |           |
| **2 | Motor, 3~, 2P   | 130646320 | 130646360 | 130646370 | 130646410 | 130646410 | 130646420 | 130646430 | 130643890 | 130643900 | 130643910 |
|     | Size            | 112       | 132       | 132       | 160       | 160       | 160       | 160       | 180       | 200       | 200       |
| 3   | Base            | 151403650 | 151403650 | 151403650 | 151403720 | 151403720 | 151403710 | 151403710 | 151403730 | 151403750 | 151403750 |
| 5   | Protection net  | 164600250 | 164600270 | 164600270 | 164600270 | 164600270 | 164600270 | 164600270 | 164600270 | 164600620 | 164600620 |
| 6   | Protection disc | 160101230 | 160101230 | 160101230 | 160101230 | 160101230 | 160101230 | 160101230 | 150101850 | 150101850 | 150101850 |
| 7   | Protection ring | 168601120 | 168601120 | 168601120 | 168601120 | 168601120 | 168601120 | 168601120 | 168601120 | 168601130 | 168601130 |
| 9   | Motor shims x1  |           | 161402440 | 161402440 |           |           |           |           |           | 161403230 | 161403230 |
|     |                 |           | 161402460 | 161402460 | 161402590 | 161402590 | 161402590 | 161402590 | 161403250 | 161403250 |           |
|     | Motor shims x2  | 161402990 |           |           |           |           |           |           |           |           |           |

### Single Unit, 4P

|     |                 |           |           |           |           |           |           |           |           |           |           |
|-----|-----------------|-----------|-----------|-----------|-----------|-----------|-----------|-----------|-----------|-----------|-----------|
| 1   | Pump            | -         | 102209710 | 102209730 | 102209740 | 102209750 | 102209775 | 102209790 | 102209810 | 102209850 | 102209870 |
| 8   | Pump shims      |           |           |           |           |           |           |           |           |           |           |
| **2 | Motor, 3~, 4P   | 107230720 | 107230780 | 107106610 | 107106610 | 107106620 | 107106620 | 107106650 | 107106660 | 107106680 | 107106710 |
|     | Size            | 80        | 80        | 90        | 90        | 92        | 92        | 100       | 100       | 112       | 132       |
| 3   | Base            | 151403640 | 151403640 | 151403650 | 151403650 | 151403650 | 151403650 | 151403680 | 151403680 | 151403690 | 151403690 |
| 5   | Protection net  | 164600590 | 164600590 | 164600590 | 164600590 | 164600590 | 164600590 | 164600590 | 164600590 | 164600610 | 164600610 |
| 6   | Protection disc | 160101230 | 160101230 | 160101230 | 160101230 | 160101230 | 160101230 | 160101230 | 160101230 | 150101850 | 150101850 |
| 7   | Protection ring | 168601120 | 168601120 | 168601120 | 168601120 | 168601120 | 168601120 | 168601120 | 168601120 | 168601130 | 168601130 |
| 9   | Motor shims x2  | 161402760 | 161402760 | 161402740 | 161402740 | 161402740 | 161402950 | 161403050 | 161403050 | 161403130 | 161403030 |

\* Recommended spare parts - Parti di ricambio consigliate

\* Pièces détachées conseillées - Empfohlene Ersatzteile

\*\* Motor spare parts: see motor lists - Parti di ricambio motore: vedi liste motore

\*\* Pièces détachées Moteur : voir listes moteur - Motor-Ersatzteile: gem. Motorlisten

## SHF 80 - SHF4 80

|             |                   |                   |                   |                   |                  |                   |                   |                   |                   |                   |
|-------------|-------------------|-------------------|-------------------|-------------------|------------------|-------------------|-------------------|-------------------|-------------------|-------------------|
| ELP 3 ~, 2P | <b>80-160/110</b> | <b>80-160/150</b> | <b>80-160/185</b> | <b>80-200/220</b> |                  | <b>80-200/300</b> | <b>80-200/370</b> | <b>80-250/450</b> | <b>80-250/550</b> | <b>80-250/750</b> |
|             | 102201880         | 102201890         | 102201900         | 102201920         |                  | 102201930         | 102201940         | 102201970         | 102201980         | 102201990         |
| kw ->       | <b>11.0</b>       | <b>15.0</b>       | <b>18.5</b>       | <b>22.0</b>       |                  | <b>30.0</b>       | <b>37.0</b>       | <b>45.0</b>       | <b>55.0</b>       | <b>75.0</b>       |
| ELP 3 ~, 4P | <b>80-160/15</b>  | <b>80-160/22A</b> | <b>80-160/22</b>  | <b>80-200/30</b>  | <b>80-200/40</b> |                   |                   | <b>80-250/55</b>  | <b>80-250/75</b>  | <b>80-250/92</b>  |
|             | 102206880         | 102206900         | 102206910         | 102206920         | 102206930        |                   |                   | 102206970         | 102206980         | 102206990         |
| kw ->       | <b>1.5</b>        | <b>2.2</b>        | <b>2.2</b>        | <b>3.0</b>        | <b>4.0</b>       |                   |                   | <b>5.5</b>        | <b>7.5</b>        | <b>9.2</b>        |

### Kit

|    |                   |         |         |         |         |         |         |         |         |         |         |
|----|-------------------|---------|---------|---------|---------|---------|---------|---------|---------|---------|---------|
| *4 | Flexible coupling | KL10AA4 | KL10AA4 | KL10AA4 | KL10AA8 |         | KL10AA9 | KL10AA9 | KL10AA9 | KL10ABA | KL10ABX |
|    |                   | KL10AA1 | KL10AA2 | KL10AA2 | KL10AA5 | KL10AA5 |         |         | KL10AA6 | KL10AA6 | KL10ABB |
| 10 | Coupling blocks   | KL41AAM | KL41AAM | KL41AAM | KL41AAN |         | KL41AAP | KL41AAP | KL41AAP | KL41AAQ | KL41AAM |
|    |                   | KL41AAK | KL41AAL | KL41AAL | KL41AAM | KL41AAM |         |         | KL41AAM | KL41AAM | KL41AAR |

### Single Unit, 2P

|     |                 |           |           |           |           |  |           |           |           |           |           |
|-----|-----------------|-----------|-----------|-----------|-----------|--|-----------|-----------|-----------|-----------|-----------|
| 1   | Pump            | 102209880 | 102209890 | 102209900 | 102209920 |  | 102209940 | 102209950 | 102209970 | 102209980 | 102209990 |
| 8   | Pump shims      |           |           |           |           |  |           |           | 161407830 |           |           |
| **2 | Motor 3~, 2P    | 107106410 | 107106420 | 107106430 | 130643890 |  | 130643900 | 130643910 | 130643920 | 130643930 | 130643940 |
|     | Size            | 160       | 160       | 160       | 180       |  | 200       | 200       | 225       | 250       | 280       |
| 3   | Base            | 151403710 | 151403710 | 151403710 | 151403720 |  | 151403760 | 151403760 | 151403770 | 151403780 | 151403790 |
| 5   | Protection net  | 164600270 | 164600270 | 164600270 | 164600620 |  | 164600620 | 164600620 | 164600620 | 164600630 | 164600630 |
| 6   | Protection disc | 160101230 | 160101230 | 160101230 | 160101850 |  | 160101850 | 160101850 | 160101850 | 160101850 | 160101850 |
| 7   | Protection ring | 168601120 | 168601120 | 168601120 | 168601130 |  | 168601130 | 168601130 | 168601130 | 168601130 | 168601130 |
| 9   | Motor shims x1  |           |           |           |           |  |           |           | 161404360 |           |           |
|     |                 |           |           |           |           |  | 161403230 | 161403230 | 161407780 |           |           |
|     | Motor shims x2  |           |           |           |           |  |           |           | 161404380 |           |           |
|     |                 | 161402590 | 161402590 | 161402590 | 161402590 |  | 161403250 | 161403250 | 161407800 | 161404690 |           |

### Single Unit, 4P

|     |                 |           |           |           |           |           |  |  |           |           |           |
|-----|-----------------|-----------|-----------|-----------|-----------|-----------|--|--|-----------|-----------|-----------|
| 1   | Pump            | 102209880 | 102209890 | 102209900 | 102209920 | 102209930 |  |  | 102209970 | 102209980 | 102209990 |
|     |                 |           |           |           |           |           |  |  | 161407810 | 161407810 | 161407810 |
| **2 | Motor 3~, 4P    | 107106620 | 107106650 | 107106650 | 107106660 | 107106680 |  |  | 107106710 | 107106720 | 130646730 |
|     | Size            | 90        | 100       | 100       | 100       | 112       |  |  | 132       | 132       | 132       |
| 3   | Base            | 151403650 | 151403680 | 151403680 | 151403700 | 151403700 |  |  | 151403730 | 151403730 | 151403730 |
| 5   | Protection net  | 164600610 | 164600250 | 164600250 | 164600610 | 164600610 |  |  | 164600610 | 164600610 | 164600610 |
| 6   | Protection disc | 160101850 | 160101850 | 160101850 | 160101850 | 160101850 |  |  | 160101850 | 160101850 | 160101850 |
| 7   | Protection ring | 168601130 | 168601120 | 168601120 | 168601130 | 168601130 |  |  | 168601130 | 168601130 | 168601130 |
| 9   | Motor shims x1  |           |           |           |           |           |  |  | 161407770 | 161407770 | 161407770 |
|     | Motor shims x2  | 161402950 | 161403050 | 161403050 | 161403050 | 161403030 |  |  | 161407790 | 161407790 | 161407790 |

\* Recommended spare parts - Parti di ricambio consigliate

\* Pièces détachées conseillées - Empfohlene Ersatzteile

\*\* Motor spare parts: see motor lists - Parti di ricambio motore: vedi liste motore

\*\* Pièces détachées Moteur : voir listes moteur - Motor-Ersatzteile: gem. Motorlisten

SHF25-80\_5\_Jan00\_EdD