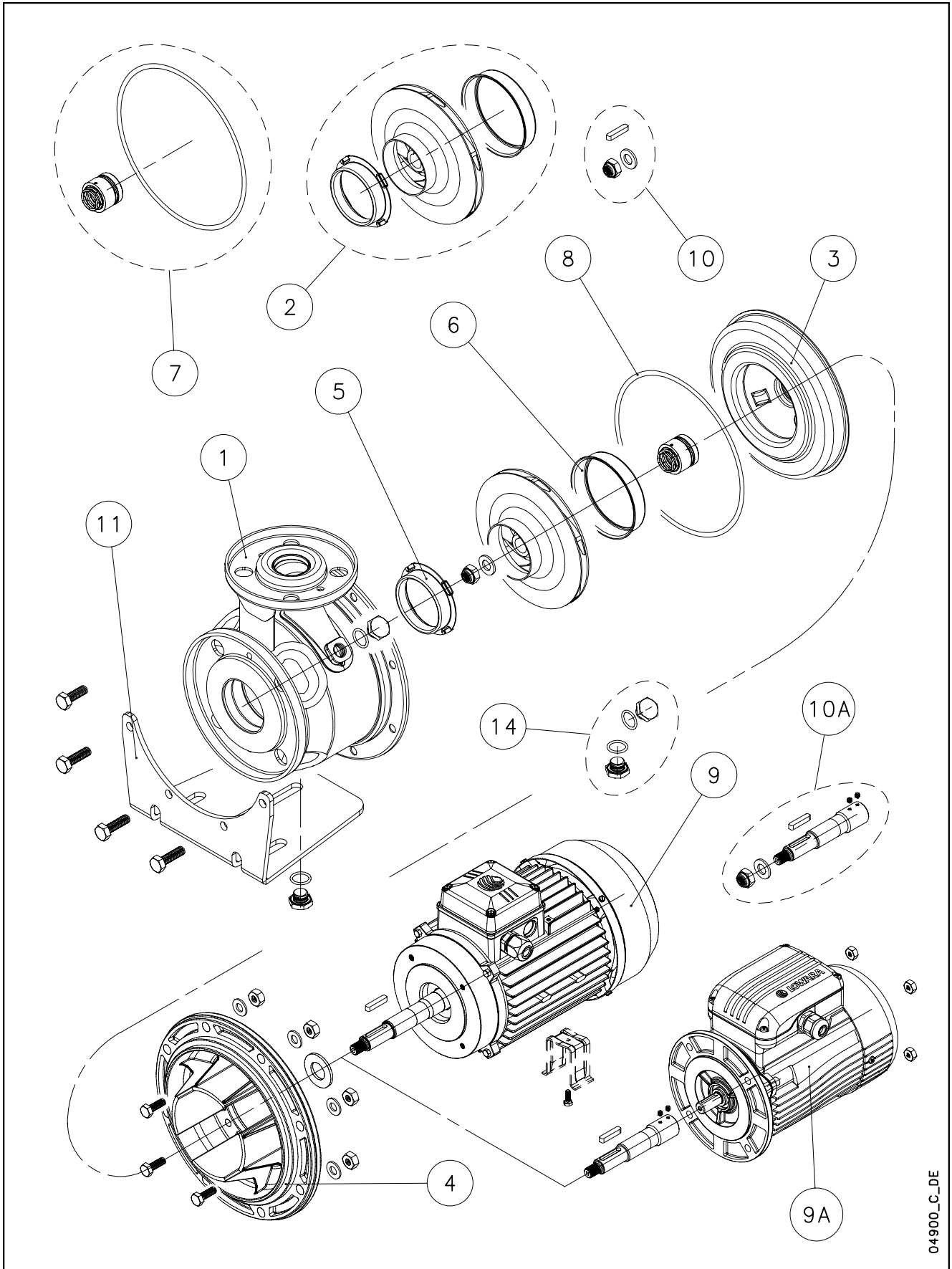


## SHE - SHE4 / GSHE - GSHE4



04900\_C\_DE

Lowara and Vogel Pumpen are a trademark of Xylem Inc. or one of its subsidiaries.  
Goulds is a registered trademark of Goulds Pumps, Inc. and is used under license.

N.	Descrizione it	Description en	Description fr	Beschreibung de	Descripción es	Descrição pt
1	Corpo pompa completo	Complete pump body	Corps de pompe complete	Kompletter pumpengehäuse	Caja bomba completa	Corpo da bomba complete
2	Girante e anelli di usura	Impeller and wear rings	Roue et anneaux d'usure	Lauftrad und Verschleißringe	Rodete y anillos de desgaste	Impulsor e anéis compensadores de desgaste
3	Disco portatenuta (con anello di usura)	Seal housing disc (with wear ring)	Disque d'étanchéité (avec anneau d'usure)	Dichtungsscheibe (mit Ausgleichsring)	Disco de alojamiento retén (con anillo de desgaste)	Disco porta-vedante (con anel compensador de desgaste)
4	Lanterna	Adaptor	Lanterne	Antriebslaterne	Adaptador	Adaptador
5	Rasamento anteriore	Front wear plate	Bague pour régulation du jeu axial avant	Vordere Ausgleichsscheibe	Espesor delantero	Casquilho anterior
6	Rasamento posteriore	Back wear plate	Bague pour régulation du jeu axial arrière	Hintere Ausgleichsscheibe	Espesor trasero	Casquilho posterior
7	Tenuta meccanica e guarnizione OR	Mechanical seal and O-Ring	Garniture mécanique et joint torique	Gleitringdichtung und O-Ring	Retén mecánico y aro tórico	Vedante mecánico e vedação OR
8	Guarnizione OR	O-Ring	Joint torique	O-Ring	Aro tórico	Vedação OR
9	Motore completo	Complete motor	Moteur complet	Kompletter Motor	Motor completo	Motor complete
9A	Motore completo (solo 4 poli grandezza 71)	Complete motor (4-poles size 71 only)	Moteur complet (uniquement 4 pôles taille 71)	Kompletter Motor (nur 4polig Größe 71)	Motor completo (só 4 polos tamaño 71)	Motor complete (só 4 pólos grandezza 71)
10	Gruppo fissaggio girante (dado, rosetta e linguetta)	Impeller locking group (nut, washer and key)	Groupe de fixation roue (ecrou, rondelle et clavette)	Befestigungsgruppe Lauftrads auf (Feststellmutter, Unterlegscheibe und Passfeder)	Grupo de fijación rodete (tuerca, arandela y lengüeta)	Grupo de fixação do impulsor (porca, anilha e lingueta)
10A	Giunto con gruppo fissaggio girante (solo 4 poli grandezza 71)	Coupling with impeller locking group (4-poles size 71 only)	Manchon avec groupe de fixation roue (uniquement 4 pôles taille 71)	Kupplung mit Befestigungsgruppe Lauftrad (nur 4polig Größe 71)	Junta con grupo de fijación rodete (só 4 polos tamaño 71)	Junta com grupo de fixação do impulsor (só 4 pólos grandezza 71)
11	Piede di sostegno	Support foot	Pied d'appui	Stützfuß	Pie de soporte	Pé de apoio
14	Kit tappi	Plug kit	Kit bouchons	Verschlusssschrauben-Kit	Kit tapones	Kit tampões
N.	Beschrijving nl	Περιγραφή el	Açıklama tr	Kuvaus fi	Описание ru	Opis pl
1	Compleet pomphuis	Πλήρες σώμα αντλίας	Komple pompa gövdesi	Täydellinen pumpun runko	Полный корпус насоса	Kompletny korpus pompy
2	Waaier en slijtringen	Πτερύγιο και δακτύλιοι τριβής	Pompa rotoru ve aşınma halkaları	Juoksupyörä ja kulumisrenkaat	Рабочее колесо и изнашиваемые кольца	Wirnik i pierścienie wymienne
3	Dichtingssteunplaat (met slijtring)	Δίσκος μηχανικού στυποθήπιτης και δακτύλιος τριβής	Sızdırmazlık diski (aşınma halkası ile)	Tiivisteenn kannatuslevy (kulumisrenkaalla)	Диск держателя прокладки (с изнашиваемым кольцом)	Tarcza uszczelki (z wymiennym pierścieniem)
4	Lantaarnstuk	Μπρακέτο	Adaptör	Sovitin	Адаптер	Lampa
5	Voorste schraapring	Πρόσθιος δακτύλιος τριβής	Ön ara halkası	Etuväälilevy	Передняя утолщающая прокладка	Wyglądanie przednie
6	Achterste schraapring	Οπίσθιος δακτύλιος τριβής	Arka ara halkası	Takaväälilevy	Задняя утолщающая прокладка	Wyglądanie tylne
7	Mechanische asafdichting en O-ringafdichting	Μηχανικός στυποθήπιτης και ροδέλες στεγανοποίησης	Mekanik conta ve O-Ring	Mekaaninen tiiviste ja O-rengas	Механическая прокладка и уплотнение OR	Uszczelnienie mechaniczne i uszczelka O-Ring
8	O-ringafdichting	Ροδέλα στεγανοποίησης	O-Ring	O-rengas	Прокладка OR	Uszczelka O-Ring
9	Complete motor	Πλήρης κινητήρας	Komple motor	Täydellinen moottori	Укомплектованный двигатель	Kompletny silnik
9A	Complete motor (alleen 4-polig grootte 71)	Πλήρης κινητήρας (τετραπολικό μόνο μεγέθους 71)	Komple motor (sadece 4 kutuplu; boyu: 71)	Täydellinen moottori (ainoastaan 4 napaa, koko 71)	Укомплектованный двигатель (только 4 полюса величина 71)	Kompletny silnik (tylko 4 bieguny wielkość 71)
10	Waaierbevestigingsblok (moer, ring en spie)	Σετ ασφάλισης περυγίου (παξιμάδι, ροδέλα, σφήνα)	Pompa rotorunu sabitleme takımı (somun, rondela ve kama)	Juoksupyörän kiinnityskokonaisuus (mutteri, välirengas ja kiila)	Узел фиксации рабочего колеса (гайка, шайба и шпонка)	Zespół mocujący wirnika (nakrętka, podkładka i wpust)
10A	Koppeling met waaierbevestigingsblok (alleen 4-polig grootte 71)	Προέκταση άξονα και σετ ασφάλισης περυγίου	Pompa rotorunu sabitleme takimi ile mafsäl (sadece 4 kutuplu; boyu: 71)	Liitos juoksupyörän kiinnityskokonaisuudella (ainoastaan 4 napaa, koko 71)	Соединение с узлом фиксации рабочего колеса (только 4 полюса величина 71)	Złącze z zespołem mocującym wirnika (tylko 4 bieguny wielkość 71)
11	Steunpoot	Πέλμα στήριξης	Destek ayağı	Tukijalka	Опорная ножка	Nóżka wspornikowa
14	Stoppenset	Σετ ταπών	Tapa kiti	Tulppasarja	Набор пробок	Zestaw zatyczek



### SSH Seals Kits

MECH. SEALS		D.22 VBVGG	D.28 VBVGG	D.33 VBVGG	D.22 VBEGGG	D.28 VBEGG	D.33 VBEGG
O-Ring							
ELASTOMER D. 158 FPM	1	<b>A</b>					
ELASTOMER D. 189 FPM	2						
ELASTOMER D. 221 FPM	3						
ELASTOMER D. 247 FPM	4	<b>B</b>	<b>C</b>	<b>D</b>			
ELASTOMER D. 278 FPM	5						
ELASTOMER D. 304 FPM	6						
ELASTOMER D. 158 EPDM	7				<b>A</b>		
ELASTOMER D. 189 EPDM	8						
ELASTOMER D. 221 EPDM	9						
ELASTOMER D. 247 EPDM	10				<b>B</b>	<b>C</b>	<b>D</b>
ELASTOMER D. 278 EPDM	11						
ELASTOMER D. 304 EPDM	12						

Each section with bolded outline indicates a single KIT

## SHEM 25/P SHE 25/P - SHE4 25/P

	25-125/07	25-125/11	25-160/15	25-160/22	25-200/30/P	25-200/40/P	25-250/55/P	25-250/75/P	25-250/110/P
ELP 1 ~, 2P		107410510							
ELP 3 ~, 2P	107410000	107410001	107410002	107410003	101290004	101290005	101290010	101290011	101290012
kw ->	<b>0,75</b>	<b>1,1</b>	<b>1,5</b>	<b>2,2</b>	<b>3,0</b>	<b>4,0</b>	<b>5,5</b>	<b>7,5</b>	<b>11,0</b>
	25-125/02A	25-125/02	25-160/02	25-160/03	25-200/03	25-200/05	25-250/07	25-250/11/P	25-250/15/P
ELP 3 ~, 4P	107410600	107410610	107410620	107410630	107410640	107410650	107410660	101295011	101295012
kw ->	<b>0,25</b>	<b>0,25</b>	<b>0,25</b>	<b>0,37</b>	<b>0,37</b>	<b>0,55</b>	<b>0,75</b>	<b>1,10</b>	<b>1,50</b>

### Kit

	Dia - Ø	119	136	150	164	188	205	222	242	256
2*	Impeller 2P	KL04AA9	KL04ABA	KL04ABB	KL04ABC	KL04ABD	KL04ABE	KL04ACK	KL04ACL	KL04ACM
	Impeller 4P	KL04AA9	KL04ABA	KL04ABB	KL04ABC	KL04ABD	KL04ABE	KL04ACK	KL04ACL	KL04ACM

7*	Material-->	<b>VBVGG</b>	<b>Q1Q1VGG</b>	<b>VBEGG</b>	<b>Q1Q1EGG</b>	STD -> Mech Seal VBVGG - OR FPM			
	Mech Seal kits	KL01AA0	KL01ACN	KL01ACS	KL01ACW	2P->200/40; 4P -> 200/05		Seal D:22-OR 158/189/221	
		KL01AA3	KL01ACP	KL01ACT	KL01ACX	2P->250/110; 4P ->250/15		Seal D:22-OR 247/278	
8*	OR FPM Kit	KL02AAP	2P ->160/15		4P ->160/02		D:158		
		KL02AAQ	2P ->160/22		4P ->160/03		D:189		
		KL02AAR	2P ->200/40		4P ->200/05		D:221		
		KL02AAS	2P ->250/110		4P ->250/15		D:247 Incl. 2 OR		
	OR EPDM Kit	KL02AAV	2P ->160/15		4P ->160/02		D:158		
		KL02AAW	2P ->160/22		4P ->160/03		D:189		
		KL02AAX	2P ->200/40		4P ->200/05		D:221		
		KL02AAY	2P ->250/110		4P ->250/15		D:247 Incl. 3 OR		
10	Imp. lock kit M12	KL39AAA							
10A	Coupling 4P D18	KL10AAG	4P -> 200/03						
14	Fill-Drain plug FPM	KL34AAB							
	Fill-Drain plug EPDM	KL34AAC							

### Single Unit

1	Pump body	151380440	151380440	151380450	151380450	151380460	151380460	151380480	151380480	151380480
11	Support foot	161401830	161401830	161401841	161401841	161401851	161401851	161401871	161401871	161401871

3	Seal housing disc	160102000	160102000	160102010	160102010	150102220	160102020	150102230	150102230	150102230
4	Adaptor 2P	161430100	161430100	161430110	161430110	161453120	161430170	161453170	161452440	161452440
	Adaptor 4P	161430150	161430150	161430160	161430160	161430170	161453120	161452440	161452440	161452440
5	Wear ring	168601491	168601491	168601491	168601491	168601491	168601491	168601491	168601491	168601491
6	Back wear ring					465020201		465020201	465020201	465020201
9**	Motor 1 ~, 2P	13278H00E	13278H00F	13282H00F						
	Motor 3 ~, 2P	13274R00E	13274R00F	13278R00F	13282R00F	50002RH00	50008VN00	50013VH00	50017VH00	50019VH00
	Motor 3 ~, 4P						13275R00F	13279R00J	50005RS00	50006RS00
9A**	Motor 3 ~, 4P	13258R00L	13258R00L	13258R00L	13262R00L	13262R00L				

\* Recommended spare parts - Parti di ricambio consigliate

\* Pièces détachées conseillées - Empfohlene Ersatzteile

\*\* Motor spare parts: see motor lists - Parti di ricambio motore: vedi liste motore

\*\* Pièces détachées Moteur : voir listes moteur - Motor-Ersatzteile: gem. Motorlisten

SHE25-80\_5\_P\_Feb08\_Edc

## SHEM 32/P SHE 32/P - SHE4 32/P

	<b>32-125/07</b>	<b>32-125/11</b>	<b>32-160/15</b>	<b>32-160/22/P</b>					
ELP 1 ~, 2P	107410540	107410550	107410560	101293050					
	<b>32-125/07</b>	<b>32-125/11</b>	<b>32-160/15</b>	<b>32-160/22</b>	<b>32-200/30/P</b>	<b>32-200/40/P</b>	<b>32-250/55/P</b>	<b>32-250/75/P</b>	<b>32-250/110/P</b>
ELP 3 ~, 2P	107410020	107410030	107410040	107410050	101290060	101290070	101290090	101290100	101290110
kW ->	<b>0,75</b>	<b>1,1</b>	<b>1,5</b>	<b>2,2</b>	<b>3,0</b>	<b>4,0</b>	<b>5,5</b>	<b>7,5</b>	<b>11,0</b>
	<b>32-125/02A</b>	<b>32-125/02</b>	<b>32-160/02</b>	<b>32-160/03</b>	<b>32-200/03</b>	<b>32-200/05</b>	<b>32-250/07</b>	<b>32-250/11/P</b>	<b>32-250/15/P</b>
ELP 3 ~, 4P	107410680	107410690	107410700	107410710	107410720	107410730	107410740	101295100	101295110
kW ->	<b>0,25</b>	<b>0,25</b>	<b>0,25</b>	<b>0,37</b>	<b>0,37</b>	<b>0,55</b>	<b>0,75</b>	<b>1,10</b>	<b>1,50</b>

### Kit

	Dia - Ø	119	136	150	164	188	205	222	242	256
2*	Impeller 2P	KL04AA9	KL04ABA	KL04ABB	KL04ABC	KL04ABD	KL04ABE	KL04ACK	KL04ACL	KL04ACM
	Impeller 4P	KL04AA9	KL04ABA	KL04ABB	KL04ABC	KL04ABD	KL04ABE	KL04ACK	KL04ACL	KL04ACM

7*	Material-->	<b>VBVGG</b>	<b>Q1Q1VGG</b>	<b>VBEGG</b>	<b>Q1Q1EGG</b>	STD -> Mech Seal VBVGG - OR FPM					
	Mech Seal kits	KL01AA0	KL01ACN	KL01ACS	KL01ACW	<b>2P-&gt;200/40; 4P -&gt; 200/05</b>			Seal D:22-OR 158/189/221		
		KL01AA3	KL01ACP	KL01ACT	KL01ACX	<b>2P-&gt;250/110; 4P -&gt; 250/15</b>			Seal D:22-OR 247/278		
8*	OR FPM Kit	KL02AAP	<b>2P -&gt; 160/15</b>		<b>4P -&gt; 160/02</b>		D:158				
		KL02AAQ	<b>2P -&gt; 160/22</b>		<b>4P -&gt; 160/03</b>		D:189				
		KL02AAR	<b>2P -&gt; 200/40</b>		<b>4P -&gt; 200/05</b>		D:221				
		KL02AAS	<b>2P -&gt; 250/110</b>		<b>4P -&gt; 250/15</b>		D:247		Incl. 2 OR		
	OR EPDM Kit	KL02AAV	<b>2P -&gt; 160/15</b>		<b>4P -&gt; 160/02</b>		D:158				
		KL02AAW	<b>2P -&gt; 160/22</b>		<b>4P -&gt; 160/03</b>		D:189				
		KL02AAX	<b>2P -&gt; 200/40</b>		<b>4P -&gt; 200/05</b>		D:221				
		KL02AAY	<b>2P -&gt; 250/110</b>		<b>4P -&gt; 250/15</b>		D:247		Incl. 3 OR		
10	Imp. lock kit M12	KL39AAA									
10A	Coupling 4P D18	KL10AAG	<b>4P -&gt; 200/03</b>								
14	Fill-Drain plug FPM	KL34AAB									
	Fill-Drain plug EPDM	KL34AAC									

### Single Unit

1	Pump body	151380040	151380040	151380050	151380050	151380060	151380060	151380070	151380070	151380070
11	Support foot	161401831	161401831	161405710	161405710	161401851	161401851	161401871	161401871	161401871
3	Seal housing disc	160102000	160102000	160102010	160102010	150102220	160102020	150102230	150102230	150102230
4	Adaptor 2P	161430100	161430100	161430110	161430110	161453120	161430170	161453170	161452440	161452440
	Adaptor 4P	161430150	161430150	161430160	161430160	161430170	161453120	161452440	161452440	161452440
5	Wear ring	168601491	168601491	168601491	168601491	168601491	168601491	168601491	168601491	168601491
6	Back wear ring					465020201		465020201	465020201	465020201
9**	Motor 1 ~, 2P	13278H00E	13278H00F	13282H00F	50004HH00					
	Motor 3 ~, 2P	13274R00E	13274R00F	13278R00F	13282R00F	50002RH00	50008VN00	50013VH00	50017VH00	50019VH00
	Motor 3 ~, 4P						13275R00F	13279R00J	50005RS00	50006RS00
9A**	Motor 3 ~, 4P	13258R00L	13258R00L	13258R00L	13262R00L	13262R00L				

\* Recommended spare parts - Parti di ricambio consigliate

\* Pièces détachées conseillées - Empfohlene Ersatzteile

\*\* Motor spare parts: see motor lists - Parti di ricambio motore: vedi liste motore

\*\* Pièces détachées Moteur : voir listes moteur - Motor-Ersatzteile: gem. Motorlisten

## SHEM 40/P SHE 40/P - SHE4 40/P

ELP 1 ~, 2P	40-125/11	40-125/15	40-125/22/P							
		107410590	101293070							
ELP 3 ~, 2P	40-125/11	40-125/15	40-125/22	40-160/30/P	40-160/40/P	40-200/55/P	40-200/75/P	40-250/92/P	40-250/110/P	40-250/150/P
	107410140	107410150	107410160	101290180	101290190	101290210	101290220	101290230	101290240	101290250
kW ->	1,1	1,5	2,2	3,0	4,0	5,5	7,5	9,2	11,0	15,0
ELP 3 ~, 4P	40-125/02A	40-125/02	40-125/03	40-160/03	40-160/05	40-200/07	40-200/11/P	40-250/11/P	40-250/15/P	40-250/22/P
	107410760	107410770	107410780	107410790	107410800	107410810	101295210	101295230	101295240	101295250
kW ->	0,25	0,25	0,37	0,37	0,55	0,75	1,1	1,1	1,5	2,2

### Kit

	Dia - Ø	112 - 119	126 - 135	143	159	171	190	209	218	233	251
2*	Impeller 2P	KL04ABF	KL04ABG	KL04ABH	KL04ABK	KL04ABL	KL04ABM	KL04ABN	KL04ABP	KL04ABQ	KL04ABR
	Impeller 4P	KL04ABF	KL04AK8	KL04ABH	KL04ABK	KL04ABL	KL04ABM	KL04ABN	KL04ABP	KL04ABQ	KL04ABR

7*	Material--> Mech Seal kits	VBVGG	Q1Q1VGG	VBEGG	Q1Q1EGG	STD -> Mech Seal VBVGG - OR FPM					
		KL01AA0	KL01ACN	KL01ACS	KL01ACW	2P -> 200/75; 4P ->200/11		Seal D:22-OR 158/189/221			
		KL01AA3	KL01ACP	KL01ACT	KL01ACX	2P -> 250/110; 4P ->250/15		Seal D:22-OR 247/278			
		KL01ACL	KL01ACQ	KL01ACU	KL01ACY	2P - 250/150; 4P - 250/22		Seal D:28-OR 247/278			
8*	OR FPM Kit	KL02AAP	2P -> 125/22		4P -> 125/03		D: 158				
		KL02AAQ	2P -> 160/40		4P -> 160/05		D: 189				
		KL02AAR	2P -> 200/75		4P -> 200/11		D: 221				
		KL02AAT	2P -> 250/150		4P -> 250/22		D: 278   Incl. 2 OR				
	OR EPDM Kit	KL02AAV	2P -> 125/22		4P -> 125/03		D: 158				
		KL02AAW	2P -> 160/40		4P -> 160/05		D: 189				
		KL02AAX	2P -> 200/75		4P -> 200/11		D: 221				
		KL02AAZ	2P -> 250/150		4P -> 250/22		D: 278   Incl. 3 OR				
10	Imp.lock kit D:12	KL39AAA	2P->250/110; 4P->250/15								
	Imp.lock kit D:16	KL39AAB	2P: 250/150; 4P: 250/22								
10A	Coupling 4P D:12	KL10AAG	4P ->160/03								
14	Fill-Drain plug FPM	KL34AAB									
	Fill-Drain plug EPD	KL34AAC									

### Single Unit

1	Pump body	151380080	151380080	151380080	151380090	151380090	151380100	151380100	151380110	151380110	151380110
11	Support foot 2P	161401831	161401831	161401831	161405710	161405710	161401851	161401851	151401420	161401871	161401871
	Support foot 4P	161401831	161401831	161401831	161405710	161405710	161401851	161401851	161401871	161401871	161401871
3	Seal-housing disc	160102040	160102040	160102040	150102210	150102210	150102220	150102220	150102230	150102230	150102271
4	Adaptor 2P	161430100	161430100	161430100	161430110	161430160	161430170	161430210	161452440	161452440	161453110
4	Adaptor 4P	161430150	161430150	161430150	161430160	161430110	161430210	161430210	161452440	161452440	161453110
5	Wear ring	168601500	168601500	168601500	168601500	168601500	168601500	168601500	168601511	168601511	168601511
6	Back wear ring				465020201	465020201	465020201	465020201	465020201	465020201	465020201
9**	Motor 1 ~, 2P	13278H00F	13282H00F	50004HH00							
	Motor 3 ~,2P	13274R00F	13278R00F	13282R00F	50002RH00	50008VN00	50013VH00	50017VH00	50018VH00	50019VH00	50024VR00
	Motor 3 ~, 4P					13275R00F	13279R00J	50005RS00	50005RS00	50006RS00	50010RT00
9A**	Motor 3 ~, 4P	13258R00L	13258R00L	13262R00L	13262R00L						

\* Recommended spare parts - Parti di ricambio consigliate

\* Pièces détachées conseillées - Empfohlene Ersatzteile

\*\* Motor spare parts: see motor lists - Parti di ricambio motore: vedi liste motore

\*\* Pièces détachées Moteur : voir listes moteur - Motor-Ersatzteile: gem. Motorlisten

SHE25-80\_5\_P\_Feb08\_EdC

## SHE 50/P - SHE4 50/P

	50-125/22	50-125/30/P	50-125/40/P	50-160/55/P	50-160/75/P	50-200/92/P	50-200/110/P	50-250/150/P	50-250/185/P	50-250/220/P
ELP 3 ~, 2P	107410280	101290290	101290300	101290310	101290320	101290330	101290340	101290350	101290360	101290370
kW->	<b>2,2</b>	<b>3,0</b>	<b>4,0</b>	<b>5,5</b>	<b>7,5</b>	<b>9,2</b>	<b>11,0</b>	<b>15,0</b>	<b>18,5</b>	<b>22,0</b>
	<b>50-125/03A</b>	<b>50-125/03</b>	<b>50-125/05</b>	<b>50-160/07</b>	<b>50-160/11/P</b>	<b>50-200/11/P</b>	<b>50-200/15/P</b>	<b>50-250/22A/P</b>	<b>50-250/22/P</b>	<b>50-250/30/P</b>
ELP3~, 4P	107410830	107410840	107410850	107410860	101295320	101295330	101295340	101295350	101295360	101295370
kW->	<b>0,37</b>	<b>0,37</b>	<b>0,55</b>	<b>0,75</b>	<b>1,1</b>	<b>1,1</b>	<b>1,5</b>	<b>2,2</b>	<b>2,2</b>	<b>3,0</b>

### Kit

	Dia - Ø	119	130	139	158	174	197	209	224	237	250
2*	Impeller 2P	KL04ABS	KL04ABT	KL04ABU	KL04ABV	KL04ABW	KL04ABX	KL04ABY	KL04ABZ	KL04AB0	KL04AB1
	Impeller 4P	KL04ABS	KL04ABT	KL04ABU	KL04ABV	KL04ABW	KL04ABX	KL04ABY	KL04ABZ	KL04AB0	KL04AB1

7*	Material-->	<b>VBVGG</b>	<b>Q1Q1VGG</b>	<b>VBEGG</b>	<b>Q1Q1EGG</b>	STD -> Mech Seal VBVGG - OR FPM					
	Mech Seal kits	KL01AA0	KL01ACN	KL01ACS	KL01ACW	<b>2P -&gt; 160/75; 4P -&gt; 160/11</b>			<b>Seal D:22-OR 158/189/221</b>		
		KL01AA3	KL01ACP	KL01ACT	KL01ACX	<b>2P -&gt; 200/110; 4P -&gt; 200/15</b>			<b>Seal D:22-OR 247/278</b>		
		KL01ACL	KL01ACQ	KL01ACU	KL01ACY	<b>2P -&gt; 250/220; 4P -&gt; 250/30</b>			<b>Seal D:28-OR 247/278</b>		
8*	OR FPM Kit	KL02AAQ	<b>2P -&gt; 160/75</b>		<b>4P -&gt; 160/11</b>		<b>D: 189</b>				
		KL02AAS	<b>2P -&gt; 200/110</b>		<b>4P -&gt; 200/15</b>		<b>D: 247</b>				
		KL02AAT	<b>2P -&gt; 250/220</b>		<b>4P -&gt; 250/30</b>		<b>D: 278</b>		<b>Incl. 2 OR</b>		
	OR EPDM Kit	KL02AAW	<b>2P -&gt; 160/75</b>		<b>4P -&gt; 160/11</b>		<b>D: 189</b>				
		KL02AAY	<b>2P -&gt; 200/110</b>		<b>4P -&gt; 200/15</b>		<b>D: 247</b>				
		KL02AAZ	<b>2P -&gt; 250/220</b>		<b>4P -&gt; 250/30</b>		<b>D: 278</b>		<b>Incl. 3 OR</b>		
10	Imp.lock kit M12	KL39AAA	<b>2P-&gt;200/110; 4P-&gt;200/15</b>								
	Imp.lock kit M16	KL39AAB	<b>2P -&gt;250/220; 4P-&gt;250/30</b>								
10A	Coupling 4P D:18	KL10AAG	<b>4P-&gt; 125/03</b>								
14	Fill-Drain plug FPM	KL34AAB									
	Fill-Drain plug EPDM	KL34AAC	<b>All Versions</b>								

### Single Unit

1	Pump body	151380120	151380120	151380120	151380130	151380130	151380140	151380140	151380150	151380150	151380150
11	Support foot 2P	161405710	161405710	161405710	161401841	161401841	161401891	161401891	On Motor	On Motor	On Motor
	Support foot 4P	161405710	161405710	161405710	161401841	161401841	161401891	161401891	<b>161401871</b>	<b>161401871</b>	<b>161401871</b>
3	Seal housing disc	150102280	150102280	150102280	150102280	150102280	150102300	150102300	150102271	150102271	150102271
4	Adaptor 2P	161430110	161430110	161430160	161430160	161430200	161452430	161452430	161453110	161453110	161453110
	Adaptor 4P	161430160	161430160	161430110	161430200	161430200	161452430	161452430	161453110	161453110	161453110
5	Wear ring	168601511	168601511	168601511	168601511	168601511	168601511	168601511	168601511	168601511	168601511
6	Back wear ring	465020201	465020201	465020201	465020201	465020201	465020201	465020201	465020201	465020201	465020201
9**	Motor 3 ~, 2P	13282R00F	50002RH00	50008VN00	50013VH00	50017VH00	50018VH00	50019VH00	50024VR00	50025VR00	50026VR00
	Motor 3 ~, 4P			13275R00F	13279R00J	50005RS00	50005RS00	50006RS00	50010RT00	50010RT00	50011RT00
9A**	Motor 3 ~, 4P	13262R00L	13262R00L								

\* Recommended spare parts - Parti di ricambio consigliate

\* Pièces détachées conseillées - Empfohlene Ersatzteile

\*\* Motor spare parts: see motor lists - Parti di ricambio motore: vedi liste motore

\*\* Pièces détachées Moteur : voir listes moteur - Motor-Ersatzteile: gem. Motorlisten

SHE25-80\_5\_P\_Feb08\_EdC

## SHE 65/P - SHE4 65/P

ELP. 3~, 2P	<b>65-160/40/P</b>	<b>65-160/55/P</b>	<b>65-160/75/P</b>	<b>65-160/92/P</b>	<b>65-160/110/P</b>	<b>65-200/150/P</b>	<b>65-200/185/P</b>	<b>65-200/220/P</b>			
	101290410	101290420	101290430	101290450	101290460	101290490	101290500	101290510			
	<b>4,0</b>	<b>5,5</b>	<b>7,5</b>	<b>9,2</b>	<b>11,0</b>	<b>15,0</b>	<b>18,5</b>	<b>22,0</b>			
ELP. 3~, 4P	<b>65-160/05</b>	<b>65-160/07</b>	<b>65-160/11A/P</b>	<b>65-160/11/P</b>	<b>65-160/15/P</b>	<b>65-200/15/P</b>	<b>65-200/22/P</b>	<b>65-200/30/P</b>	<b>65-250/40/P</b>	<b>65-250/55/P</b>	
	107410880	107410890	101295420	101295430	101295460	101295480	101295490	101295500	101295520	101295530	
	<b>0,55</b>	<b>0,75</b>	<b>1,1</b>	<b>1,1</b>	<b>1,5</b>	<b>1,5</b>	<b>2,2</b>	<b>3,0</b>	<b>4,0</b>	<b>5,5</b>	
<b>Kit</b>											
	Dia - Ø	119	129	137 - 140	168	177	178 - 187	203	215	240	255
2*	Impeller 2P	KL04AEC	KL04AB3	KL04AEE	KL04AEF	KL04AEG	KL04AEH	KL04AEK	KL04AEL		
	Impeller 4P	KL04AB2	KL04AB3	KL04AB4	KL04AEF	KL04AEG	KL04ALF	KL04AEK	KL04ALG	KL04ALH	KL04ALK

7*	Material-->	<b>VBVGG</b>	<b>Q1Q1VGG</b>	<b>VBEGG</b>	<b>Q1Q1EGG</b>	STD -> Mech Seal VBVGG - OR FPM				
	Mech Seal kits	KL01AA3	KL01ACP	KL01ACT	KL01ACX	<b>2P-&gt;160/92, 4P-&gt;160/11</b>			<b>Seal D:22-OR 247/278</b>	
		KL01ACL	KL01ACQ	KL01ACU	KL01ACY	<b>2P-&gt;200/220, 4P-&gt;250/40</b>			<b>Seal D:28-OR 247/278</b>	
		KL01ACM	KL01ACR	KL01ACV	KL01ACZ	<b>4P - 250/55</b>			<b>Seal D:33-OR 278/304</b>	
8*	OR FPM Kit	KL02AAS	<b>2P -&gt; 200/220</b>		<b>4P -&gt; 200/30</b>		<b>D: 247</b>			
		KL02AAT			<b>4P -&gt; 250/55</b>		<b>D: 278</b>		<b>Incl. 2 OR</b>	
	OR EPDM Kit	KL02AAY	<b>2P -&gt; 200/220</b>		<b>4P -&gt; 200/30</b>		<b>D: 247</b>			
		KL02AAZ			<b>4P -&gt; 250/55</b>		<b>D: 278</b>		<b>Incl. 3 OR</b>	
10	Imp.lock kit M12	KL39AAA	<b>2P -&gt;160/92; 4P-&gt;160/11</b>							
	Imp.lock kit M16	KL39AAB	<b>2P -&gt;200/220; 4P-&gt;200/30</b>							
	Imp.lock kit M20	KL39AAC	<b>4P-&gt;250/55</b>							
14	Fill-Drain plug FPM	KL34AAB	<b>-&gt;65/160</b>							
	Fill-Drain plug EPDM	KL34AAC	<b>-&gt;65/160</b>							
	Fill-Drain plug FPM	KL34AAD	<b>-&gt;65/250</b>							
	Fill-Drain plug EPDM	KL34AAE	<b>-&gt;65/250</b>							

### Single Unit 2P

1	Pump body 2P	151380160	151380160	151380160	151380170	151380170	151380180	151380180	151380180
11	Support foot 2P	161401891	161401891	161401891	161401891	161401891	On Motor	On Motor	On Motor
3	Seal-housing disc	160102120	160102120	160102120	160102120	150102331	150102331	150102331	150102331
4	Adaptor	161453180	161453180	161452430	161452430	161452430	161453160	161453160	161453160
5	Wear ring	168601521	168601521	168601521	168601600	168601600	168601600	168601600	168601600
6	Back wear ring				168601280	168601280	168601280	168601280	168601280
9**	Motor 3 ~, 2 P	50008VN00	50013VH00	50017VH00	50018VH00	50019VP00	50024VR00	50025VR00	50026VR00

### Single Unit 4P

1	Pump body	151380160	151380160	151380160	151380170	151380170	151380180	151380180	151380180	151380190	151380190
11	Support foot	161401891	161401891	161401891	161401891	161401891	161405810	161405810	161405810	161405730	161405730
3	Seal-housing disc	160102120	160102120	160102120	160102120	150102331	150102331	150102331	150102331	150102351	150102352
4	Adaptor	161452430	161452430	161452430	161452430	161452430	161452430	161453160	161453160	161452920	161452910
5	Wear ring	168601521	168601521	168601521	168601600	168601600	168601600	168601600	168601600	168601600	168601600
6	Back wear ring					168601280	168601280	168601280	168601280	168601280	168601280
9**	Motor 3 ~, 4P	13275R00F	13279R00J	50005RS00	50005RS00	50006RT00	50006RT00	50010RT00	50011RT00	50015VT00	50020VJ00

\* Recommended spare parts - Parti di ricambio consigliate

\* Pièces détachées conseillées - Empfohlene Ersatzteile

\*\* Motor spare parts: see motor lists - Parti di ricambio motore: vedi liste motore

\*\* Pièces détachées Moteur : voir listes moteur - Motor-Ersatzteile: gem. Motorlisten

SHE25-80\_5\_P\_Feb08\_EdC



## SHE 80/P - SHE4 80/P

	<b>80-160/110/P</b>	<b>80-160/150/P</b>	<b>80-160/185/P</b>	<b>80-200/220/P</b>				
ELP 3 ~, 2P	101290570	101290580	101290590	101290610				
kW ->	<b>11,0</b>	<b>15,0</b>	<b>18,5</b>	<b>22,0</b>				
	<b>80-160/15/P</b>	<b>80-160/22A/P</b>	<b>80-160/22/P</b>	<b>80-200/30/P</b>	<b>80-200/40/P</b>	<b>80-250/55/P</b>	<b>80-250/75/P</b>	<b>80-250/110/P</b>
ELP 3 ~, 4P	101295560	101295570	101295580	101295590	101295600	101295630	101295640	101295650
kW ->	<b>1,5</b>	<b>2,2</b>	<b>2,2</b>	<b>3,0</b>	<b>4,0</b>	<b>5,5</b>	<b>7,5</b>	<b>9,2</b>

### Kit

	Dia - Ø	169	177	186	198	220	237	252	270
2*	Impeller, 2P	KL04ALL	KL04ALM	KL04ALN	KL04ALP				
	Impeller, 4P	KL04ALL	KL04ALM	KL04ALN	KL04ALP	KL04ALQ	KL04ALR	KL04ALS	KL04ALT

7*	Material-->	<b>VBVGG</b>	<b>Q1Q1VGG</b>	<b>VBEGG</b>	<b>Q1Q1EGG</b>	STD -> Mech Seal VBVGG - OR FPM		
	Mech Seal kits	KL01ACL	KL01ACQ	KL01ACU	KL01ACY	<b>2P-&gt;200/220, 4P-&gt;200/40</b>		<b>Seal D:28-OR 247/278</b>
		KL01ACM	KL01ACR	KL01ACV	KL01ACZ	<b>4P - 250/92</b>		<b>Seal D:33-OR 278/304</b>
8*	OR FPM Kit	KL02AAT	<b>2P -&gt; 200/220</b>		<b>4P -&gt; 200/40</b>		D: 278	
		KL02AAU			<b>4P -&gt; 250/92</b>		D: 304   Incl. 2 OR	
	OR EPDM Kit	KL02AAZ	<b>2P -&gt; 200/220</b>		<b>4P -&gt; 200/40</b>		D: 278	
		KL02AA0			<b>4P -&gt; 250/92</b>		D: 304   Incl. 3 OR	
10	Imp.lock kit M16	KL39AAB	<b>2P, All; 4P-&gt;200/40</b>					
	Imp.lock kit M20	KL39AAC	<b>4P-&gt;250/92</b>					
14	Fill-Drain plug FPM	KL34AAD	<b>All Versions (-&gt;65/250)</b>					
	Fill-Drain plug EPDM	KL34AAE	<b>All Versions (-&gt;65/250)</b>					

### Single Unit, 2P

1	Pump body	151380210	151380210	151380210	151380220
11	Support foot	161401871	On Motor	On Motor	On Motor
3	Seal-housing disc	150102371	150102371	150102371	150102371
4	Adaptor	161452910	161452920	161452920	161452920
5	Wear ring	168601610	168601610	168601610	168601610
6	Back wear ring	168601280	168601280	168601280	168601280
9**	Motor 3 ~, 2P	50019VP00	50024VR00	50025VR00	50026VR00

### Single Unit, 4P

1	Pump body	151380210	151380210	151380210	151380220	151380220	151380230	151380230	151380230
11	Support foot	161401871	161401871	161401871	161401871	161401871	161401971	161401971	161401971
3	Seal-housing disc	150102371	150102371	150102371	150102371	150102371	150102392	150102392	150102392
4	Adaptor	161452910	161452920	161452920	161452920	161452920	161452480	161452480	161452930
5	Wear ring	168601610	168601610	168601610	168601610	168601610	168601610	168601610	168601610
6	Back wear ring	168601280	168601280	168601280	168601280	168601280	168601280	168601280	168601280
9**	Motor 3 ~, 4P	50006RT00	50010RT00	50010RT00	50011RT00	50015VT00	50020VJ00	50021VJ00	50027VZ00

\* Recommended spare parts - Parti di ricambio consigliate

\* Pièces détachées conseillées - Empfohlene Ersatzteile

\*\* Motor spare parts: see motor lists - Parti di ricambio motore: vedi liste motore

\*\* Pièces détachées Moteur : voir listes moteur - Motor-Ersatzteile: gem. Motorlisten

SHE25-80\_5\_P\_Feb08\_EdC

# xylem