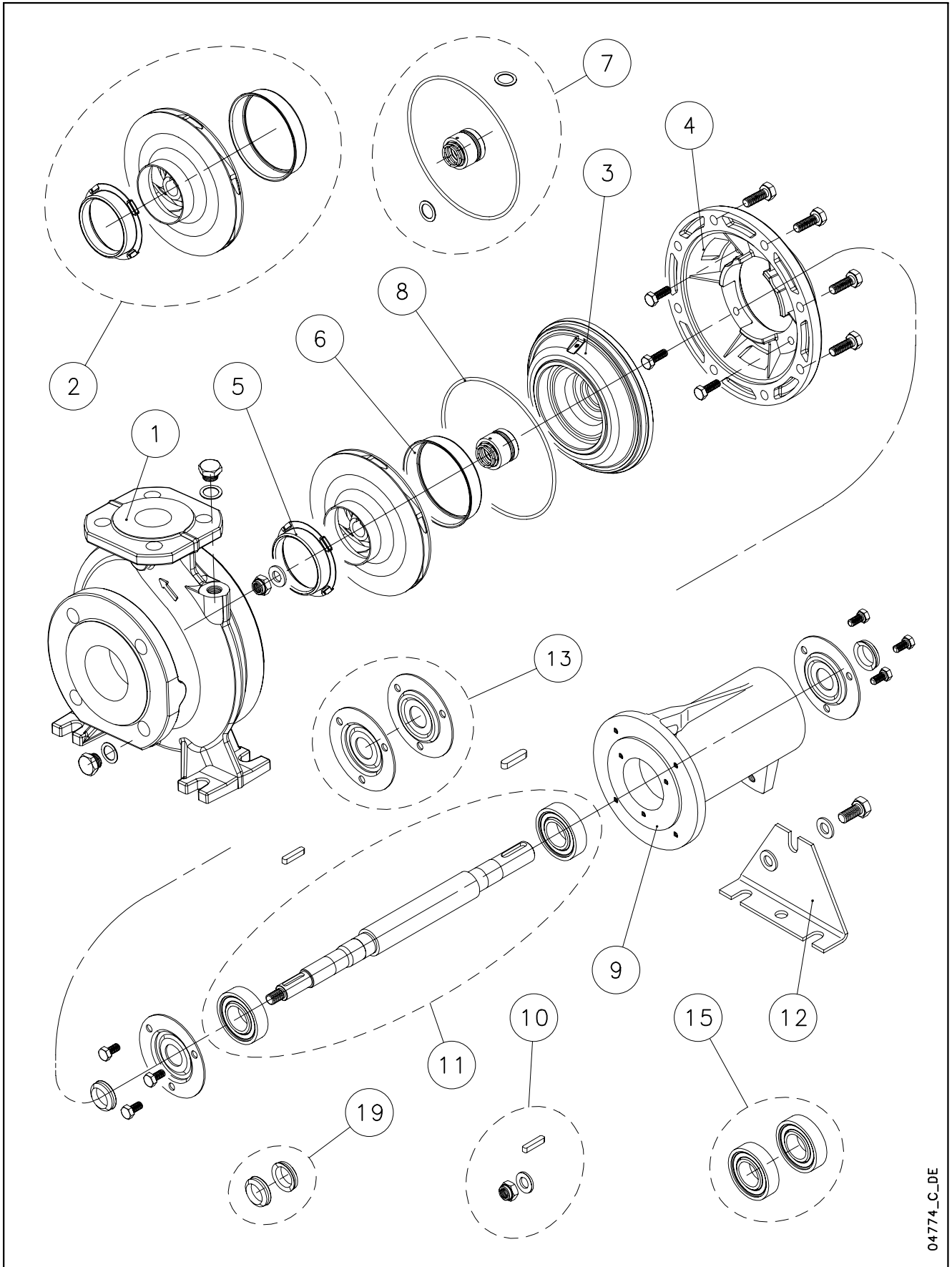


FHF / GFHF / LN PMP



04774_C-DE

Lowara, Vogel Pumpen are trademarks of Xylem Inc. or one of its subsidiaries.
Goulds is a registered trademark of Goulds Pumps, Inc. and is used under license.

N.	Descrizione it	Description en	Description fr	Beschreibung de	Descripción es	Descrição pt
1	Corpo pompa completo	Complete pump body	Corps de pompe complet	Kompletter pumpengehäuse	Caja bomba completa	Corpo da bomba completo
2	Girante e anelli di usura	Impeller and wear rings	Roue et anneaux d'usure	Laufrad und Verschleißringe	Rodete y anillos de desgaste	Impulsor e anéis compensadores de desgaste
3	Disco portatenuta (con anello di usura)	Seal housing (with wear ring)	Disque d'étanchéité (avec anneau d'usure)	Dichtungsscheibe (mit Ausgleichsring)	Disco de alojamiento retén (con anillo de desgaste)	Disco porta-vedante (com anel compensador de desgaste)
4	Lanterna	Adaptor	Lanterne	Antriebslaterne	Adaptador	Adaptador
5	Rasamento anteriore	Front wear plate	Bague pour régulation du jeu axial avant	Vordere Ausgleichsscheibe	Espesor delantero	Casquilho anterior
6	Rasamento posteriore	Back wear plate	Bague pour régulation du jeu axial arrière	Hintere Ausgleichsscheibe	Espesor trasero	Casquilho posterior
7	Tenuta meccanica e guarnizione OR	Mechanical seal and O-Ring	Garniture mécanique et joint torique	Gleitringdichtung und O-Ring	Retén mecánico y aro tórico	Vedante mecânico e vedação OR
8	Guarnizione OR	O-Ring	Joint torique	O-Ring	Aro tórico	Vedação OR
9	Corpo supporto	Support body	Corps support	Lagerungsgehäuse	Caja soporte	Corpo suporte
10	Gruppo fissaggio girante (dado, rosetta e linguetta)	Impeller locking group (nut, washer and key)	Groupe de fixation roue (ecrou, rondelle et clavette)	Befestigungsgruppe Laufrad (Feststellmutter, Unterlegscheibe und Passfeder)	Grupo de fijación rodete (tuerca, arandela y lengüeta)	Grupo de fixação do impulsor (porca, anilha e lingueta)
11	Albero con cuscinetti	Shaft with bearings	Arbre avec roulements	Welle mit Lagern	Eje con cojinetes	Veio com rolamentos
12	Sostegno supporto	Support holder	Pied de support	Lagerungshalterung	Apoyo del soporte	Sustento suporte
13	Coperchietti	Covers	Petits couvercles	Deckel	Tapas	Tampas
15	Cuscinetti	Bearings	Roulements	Lager	Cojinetes	Rolamentos
19	Anelli di tenuta	Seal rings	Bagues d'étanchéité	Dichtungsring	Sellos estancos	Anéis de vedação
N.	Beschrijving nl	Περιγραφή el	Açıklama tr	Kuvaus fi	Описание ru	Opis pl
1	Compleet pomphuis	Πλήρες σώμα αντλίας	Komple pompa gövdesi	Täydellinen pumpun runko	Полный корпус насоса	Kompletny korpus pompy
2	Waaier en slijtringen	Πτερύγιο και δακτύλιοι τριβής	Pompa rotoru ve aşınma halkaları	Juoksupyörä ja kulumisrenkaat	Рабочее колесо и изнашиваемые кольца	Wirnik i pierścienie wymienne
3	Dichtingssteenplaat (met slijtring)	Δίσκος μηχανικού στυπιοθλίπτη και δακτύλιος τριβής	Sızdırmazlık diskisi (aşınma halkası ile)	Tiivisteenn kannatuslevy (kulumisrenkaalla)	Диск держателя прокладки (с изнашиваемым кольцом)	Tarcza uszczelki (z wymiennym pierścieniem)
4	Lantaarnstuk	Μπρακέτο	Adaptör	Sovitin	Адаптер	Lampa
5	Voorste schraapring	Πρόσθιος δακτύλιος τριβής	Ön ara halkası	Etuvälilevy	Передняя утолщающая прокладка	Wygładzanie przednie
6	Achterste schraapring	Οπίσθιος δακτύλιος τριβής	Arka ara halkası	Takavälilevy	Задняя утолщающая прокладка	Wygładzanie tylne
7	Mechanische asafdichting en O-ringafdichting	Μηχανικός στυπιοθλίπτης και ροδέλες στεγανοποίησης	Mekanik conta ve O-Ring	Mekaaninen tiiviste ja O-rengas	Механическая прокладка и уплотнение OR	Uszczelnienie mechaniczne i uszczelka O-Ring
8	O-ringafdichting	Ροδέλα στεγανοποίησης	O-Ring	O-rengas	Прокладка OR	Uszczelka O-Ring
9	Steunlichaam	Έδρανο	Destek gövdesi	Kannattimen runko	Корпус опоры	Korpus wspornika
10	Waaierbevestigingsblok (moer, ring en spie)	Σετ ασφάλισης περυγίου (παξιμάδι, ροδέλα, σφήνα)	Pompa rotorunu sabitleme takımı (somun, rondela ve kama)	Juoksupyörän kiinnityskokonaisuus (mutteri, väliengas ja kiila)	Узел фиксации рабочего колеса (гайка, шайба и шпонка)	Zespół mocujący wirnika (nakrętka, podkładka i wpust)
11	As met lagers	Σετ άξονα με ρουλεμάν	Rulmanlı mil	Akseli ja laakerit	Вал с подшипниками	Wał z łożyskami
12	Steun	Πέλμα εδράνου	Destek mesnedi	Kannattimen tuki	Держатель опоры	Podpora wspornika
13	Kapjes	Καλύμματα	Küçük kapaklar	Kannet	Крышки	Pokrywki
15	Lagers	Ρουλεμάν	Rulmanlar	Laakerit	Подшипники	łożyska
19	Dichtingsringen	Τσιμούχες άξονα	Sızdırmazlık halkaları	Tiivistysrenkaat	Уплотнительные кольца	Pierścienie uszczelniające

FHF 32 Pump

Pump with impeller	32-125/119	32-125/136	32-160/150	32-160/164	32-200/188	32-200/205
	102229370	102228860	102228870	102228880	102228890	102228900
ELP 3~ 2P, kW ->	0,75	1,1	1,5	2,2	3,0	4,0
ELP 3~ 4P, kW ->	0,25	0,25	0,25	0,37	0,37	0,55

Kit		Dia - Ø					
		119	136	150	164	188	204
2*	Impeller 2P	KL04AA9	KL04ABA	KL04ABB	KL04ABC	KL04ABD	KL04ABE
	Impeller 4P	KL04AA9	KL04ABA	KL04ABB	KL04ABC	KL04ABD	KL04ABE

7*	Mech seal kit	Mech D22				
	Material :	OR 171/209/253				
	VBPGG (STD)	KL01AAN	32-125/160/200 All std version			
	VBEGG	KL01AAS	32-125/160/200 All option version			
	VCEGG	KL01ABW	32-125/160/200 All option version			
	VBVGG	KL01AB2	32-125/160/200 All option version			
	Q1Q1VGG	KL01AB5	32-125/160/200 All option version			
8*	OR Kit NBR	KL02AAG	All Versions incl. 3 Dia - OR			
	OR Kit EPDM	KL02AAH	All Versions incl. 3 Dia - OR			
	OR Kit FPM	KL02AAK	All Versions incl. 3 Dia - OR			
10	Imp. lock kit M12	KL39AAA				
11	Shaft w/bearings	155040010				
13	Covers Kit	KL17ABY				
15	Bearings kit	KL11AAN				
19	Seal rings kit	KL03AAS				

Single Unit

1	Pump body	151350520	151350520	151350540	151350540	151350560	151350560
3	Seal-housing disc	160150200	160150200	160150200	160150200	160150220	160150220
4	Adaptor	161430521	161430521	161430521	161430521	161453141	161453141
5	Wear ring	168601491	168601491	168601491	168601491	168601491	168601491
6	Back wear ring					465020201	
9	Support casing	161352730	161352730	161352730	161352730	161352730	161352730
12	Casing foot	161402160	161402160	161402170	161402170	161402180	161402180
	Fill - Drain plug	168420090	All Versions, N.2				

Seal housing disc - disc + back wear ring

* Recommended spare parts - Parti di ricambio consigliate

* Pièces détachées conseillées - Empfohlene Ersatzteile

FHF32-80_Pmp_5_Jan00_EdF

FHF 40 Pump

Pump with impeller	40-125/112	40-125/122	40-125/143	40-160/159	40-160/171	40-200/190	40-200/209	40-250/218	40-250/233	40-250/251
	102229480	102229485	102229500	102229510	102229520	102229530	102229540	102229550	102229560	102229570
ELP 3~ 2P, kW ->	1,1	1,5	2,2	3,0	4,0	5,5	7,5	11,0	11,0	15,0
Pump with impeller	40-125/112	40-125/135	40-125/143	40-160/159	40-160/171	40-200/190	40-200/209	40-250/218	40-250/233	40-250/251
	102229480	102229490	102229500	102229510	102229520	102229530	102229540	102229550	102229560	102229570
ELP 3~ 4P, kW ->	0,25	0,25	0,37	0,37	0,55	0,75	1,1	1,1	1,5	2,2

Kit	Dia - Ø	112	122 - 135	143	159	171	190	209	218	233	255
2*	Impeller 2P	KL04ABF	KL04ABG	KL04ABH	KL04ABK	KL04ABL	KL04ABM	KL04ABN	KL04ABP	KL04ABQ	KL04ABR
	Impeller 4P	KL04ABF	KL04AK8	KL04ABH	KL04ABK	KL04ABL	KL04ABM	KL04ABN	KL04ABP	KL04ABQ	KL04ABR

7*	Mech seal kit	Mech D22		Mech D28	
	Material :	OR 171/209/253		OR 253	
	VBPGG (STD)	KL01AAN	40-125 ->250/233 All std version	KL01AAR	40-250/251 All std version
	VBEGG	KL01AAS	40-125 ->250/233 All option version	KL01AAV	40-250/251 All option version
	VCEGG	KL01ABW	40-125 ->250/233 All option version	KL01ABX	40-250/251 All option version
	VBVGG	KL01AB2	40-125 ->250/233 All option version	KL01AB3	40-250/251 All option version
8*	Q1Q1VGG	KL01AB5	40-125 ->250/233 All option version	KL01AB6	40-250/251 All option version
	OR Kit NBR	KL02AAG	All Versions incl. 3 Dia - OR .		
	OR Kit EPDM	KL02AAH	All Versions incl. 3 Dia - OR .		
10	OR Kit FPM	KL02AAK	All Versions incl. 3 Dia - OR .		
	Imp. lock kit M12	KL39AAA	Pmp ->250/233		
11	Imp. lock kit M16	KL39AAB	Pmp - 250/251		
	Shaft w/bearings	155040010	Pmp ->250/233		
13		155040030	Pmp - 250/251		
	Covers Kit	KL17ABY	Pmp ->250/233		
		KL17ABZ	Pmp - 250/251		
15	Bearings kit	KL11AAN	Pmp ->250/233		
		KL11AAP	Pmp - 250/251		
19	Seal rings kit	KL03AAS			

Single Unit

1	Pump body	151350580	151350580	151350580	151350600	151350600	151350620	151350620	151350640	151350640	
3	Seal-housing disc	160150200	160150200	160150200	160150200	160150200	160150220	160150220	150150070	150150090	
4	Adaptor	161430521	161430521	161430521	161430521	161430521	161453141	161453141	161452891	161452881	
5	Wear ring	168601500	168601500	168601500	168601500	168601500	168601500	168601500	168601511	168601511	
6	Back wear ring				465020201	465020201	465020201	465020201	465020201	465020201	
9	Support casing	161352730	161352730	161352730	161352730	161352730	161352730	161352730	161352730	161352740	
12	Casing foot	161402160	161402160	161402160	161402170	161402170	161402180	161402180	161402190	161402190	
	Fill - Drain plug	168420090	All Versions, N.2								

Seal housing disc - disc + back wear ring

* Recommended spare parts - Parti di ricambio consigliate

* Pièces détachées conseillées - Empfohlene Ersatzteile

FHF 50 Pump

Pump with impeller	50-125/119	50-125/130	50-125/139	50-160/158	50-160/174	50-200/197	50-200/209	50-250/224	50-250/237	50-250/250
	102229600	102229610	102229620	102229630	102229640	102229650	102229660	102229670	102229680	102229690
ELP 3~ 2P, kW ->	2,2	3,0	4,0	5,5	7,5	11,0	11,0	15,0	18,5	22,0
ELP 3~ 4P, kW ->	0,37	0,37	0,55	0,75	1,1	1,1	1,5	2,2	2,2	3,0

Kit	Dia - Ø	119	130	139	158	174	197	209	224	237	250
2*	Impeller 2P	KL04ABS	KL04ABT	KL04ABU	KL04ABV	KL04ABW	KL04ABX	KL04ABY	KL04ABZ	KL04AB0	KL04AB1
	Impeller 4P	KL04ABS	KL04ABT	KL04ABU	KL04ABV	KL04ABW	KL04ABX	KL04ABY	KL04ABZ	KL04AB0	KL04AB1

7*	Mech seal kit	Mech D22		Mech D28							
	Material :	OR 171/209/253		OR 253							
	VBPGG (STD)	KL01AAN	50-125/160/200 All std version	KL01AAR	50-250 All std version						
	VBEGG	KL01AAS	50-125/160/200 All option version	KL01AAV	50-250 All option version						
	VCEGG	KL01ABW	50-125/160/200 All option version	KL01ABX	50-250 All option version						
	VBVGG	KL01AB2	50-125/160/200 All option version	KL01AB3	50-250 All option version						
	Q1Q1VGG	KL01AB5	50-125/160/200 All option version	KL01AB6	50-250 All option version						
8*	OR Kit NBR	KL02AAG	All Versions incl. 3 Dia - OR								
	OR Kit EPDM	KL02AAH	All Versions incl. 3 Dia - OR								
	OR Kit FPM	KL02AAK	All Versions incl. 3 Dia - OR								
10	Imp. lock kit M12	KL39AAA	Pmp->200/209								
	Imp. lock kit M16	KL39AAB	Pmp->250								
11	Shaft w/bearings	155040010	Pmp->200/209								
		155040030	Pmp->250/250								
13	Covers Kit	KL17ABY	Pmp->200/209								
		KL17ABZ	Pmp->250/250								
15	Bearings kit	KL11AAN	Pmp->200/209								
		KL11AAP	Pmp->250/250								
19	Seal rings kit	KL03AAS									

Single Unit

1	Pump body	151350660	151350660	151350660	151350680	151350680	151350700	151350700	151350720	151350720	
3	Seal-housing disc	160150200	160150200	160150200	160150220	160150220	160150220	160150220	150150090	150150090	
4	Adaptor	161430511	161430521	161430521	161453141	161453141	161453141	161453141	161452881	161452881	
5	Wear ring	168601511	168601511	168601511	168601511	168601511	168601511	168601511	168601511	168601511	
6	Back wear ring				465020201	465020201	465020201	465020201	465020201	465020201	
9	Support casing	161352730	161352730	161352730	161352730	161352730	161352730	161352730	161352740	161352740	
12	Casing foot	161402170	161402170	161402170	161402180	161402180	161402180	161402180	161402190	161402190	
	Fill - Drain plug	168420090	All Versions, N.2								

Seal housing disc - disc + back wear ring

* Recommended spare parts - Parti di ricambio consigliate

* Pièces détachées conseillées - Empfohlene Ersatzteile

FHF 65 Pump

ELP 3 ~, 2P	65-125/121	65-125/129	65-125/140	65-160/161	65-160/168	65-160/178	65-200/187	65-200/198	65-200/210	65-250/220
	102229720	102229730	102229740	102229760	102229770	102229780	102229800	102229810	102229820	102229830
kW ->	4.0	5.5	7.5	11.0	11.0	15.0	15.0	18.5	22.0	22.0
	65-250/241	65-250/258								
kW ->	30.0	37.0								

ELP 3 ~, 4P	65-125/121	65-125/129	65-125/140	65-160/161	65-160/168	65-160/178	65-200/180	65-200/198	65-200/210	65-250/220
	102229720	102229730	102229740	102229760	102229770	102229780	102229790	102229810	102229820	102229830
kW ->	0.55	0.75	1.1	1.1	1.5	2.2	1.5	2.2	3.0	3.0
	65-250/241	65-250/258								
kW ->	4.0	5.5								

Kit	Dia - Ø	121	129	140	161	168	178	187 - 180	198	210	220
		241	258								
2*	Impeller 2P	KL04AB2	KL04AB3	KL04AB4	KL04AB5	KL04AB6	KL04AB7	KL04AB8	KL04AB9	KL04ACA	KL04ACB
		KL04ALA	KL04ALB								
	Impeller 4P	KL04AB2	KL04AB3	KL04AB4	KL04AB5	KL04AB6	KL04AB7	KL04ADC	KL04AB9	KL04ACA	KL04ACB
		KL04ALA	KL04ALB								

7*	Mech seal kit	Mech D22 kit	
	Material :	OR 171/209/253	
	VBPGG (STD)	KL01AAN	65-125 ->160/161 All std version
	VBEGG	KL01AAS	65-125 ->160/161 All option version
	VCEGG	KL01ABW	65-125 ->160/161 All option version
	VBVGG	KL01AB2	65-125 ->160/161 All option version
	Q1Q1VGG	KL01AB5	65-125 ->160/161 All option version
8*	OR NBR Kit	KL02AAG	All Versions incl. 3 Dia - OR
	OR EPDM Kit	KL02AAH	All Versions incl. 3 Dia - OR
	OR FPM Kit	KL02AAK	All Versions incl. 3 Dia - OR
10	Imp.lock kit M12	KL39AAA	65-125 ->160/161
	Imp.lock kit M16	KL39AAB	65-160/168 -> 65-250/258
11	Shaft w/bearings	155040010	65-125 ->160/161
		155040030	65-160/168 -> 65-200/210
		155040070	65-250
13	Covers Kit	KL17ABY	65-125 ->160/161
		KL17ABZ	65-160/168 -> 65-200/210
		KL17AB0	65-250
15	Bearings kit	KL11AAN	65-125 ->160/161
		KL11AAP	65-160/168 -> 65-200/210
		KL11AAQ	65-250
19	Seal rings kit	KL03AAS	

Mech D28 kit	
OR 253	
KL01AAR	65-160/168 -> 65-250/258 All std version
KL01AAV	65-160/168 -> 65-250/258 All option version
KL01ABX	65-160/168 -> 65-250/258 All option version
KL01AB3	65-160/168 -> 65-250/258 All option version
KL01AB6	65-160/168 -> 65-250/258 All option version

Single Unit

1	Pump body	151350740	151350740	151350740	151350760	151350760	151350760	151350780	151350780	151350800	
		151350800	151350800								
3	Seal-housing disc	160150220	160150220	160150220	150150070	150150080	150150080	150150080	150150080	150150080	
		150150080	150150080								
4	Adaptor	161453141	161453141	161453141	161452891	161452881	161452881	161452881	161452881	161452841	
		161452841	161452841								
5	Wear ring	168601521	168601521	168601521	168601580	168601580	168601580	168601580	168601580	168601580	
		168601580	168601580								
6	Back wear ring				465020201	168601270	168601270	168601270	168601270	168601270	
		168601270	168601270								
9	Support casing	161352730	161352730	161352730	161352730	161352740	161352740	161352740	161352740	161352940	
		161352940	161352940								
12	Casing foot	161402180	161402180	161402180	161402180	161402180	161402180	161402190	161402190	161402190	
		161402190	161402190								
	Fill - Drain plug	168420090	All Versions, N.2								

Seal housing disc - disc + back wear ring if present

* Recommended spare parts - Parti di ricambio consigliate
 * Pièces détachées conseillées - Empfohlene Ersatzteile

FHF 80 Pump

Pump with impeller	80-160/152	80-160/160	80-160/163	80-160/173	80-200/189	80-200/207	80-250/225	80-250/238	80-250/256
	102229870	102229860	102229880	102229890	102229920	102229930	102229960	102229970	102229980
ELP 3~ 2P, kW ->	11,0		15,0	18,5	22,0	30,0	37,0	45,0	55,0
ELP 3~ 4P, kW ->		1,5		2,2	3,0	4,0	4,0	5,5	7,5

Kit	Dia - Ø	152	160	163	173	189	207	225	238	256
2*	Impeller 2P	KL04AK6	KL04AK0	KL04AK7	KL04AK1	KL04AK2	KL04AK3	KL04ALC	KL04AK5	KL04ALD
	Impeller 4P	KL04AK6	KL04AK0	KL04AK7	KL04AK1	KL04AK2	KL04AK3	KL04ALC	KL04AK5	KL04ALD

7*	Mech seal kit	Mech D28 kit								
	Material :	OR 253								
	VBPGG (STD)	KL01AAR	80-160 ->250/225 All std version							
	VBEGG	KL01AAV	80-160 ->250/225 All option version							
	VCEGG	KL01ABX	80-160 ->250/225 All option version							
	VBVGG	KL01AB3	80-160 ->250/225 All option version							
	Q1Q1VGG	KL01AB6	80-160 ->250/225 All option version							

	Mech D33 kit								
	OR 253								
	KL01ABU	80-250/238-256 All std version							
	KL01ABV	80-250/238-256 All option version							
	KL01AB1	80-250/238-256 All option version							
	KL01AB4	80-250/238-256 All option version							
	KL01AB7	80-250/238-256 All option version							

8*	OR Kit NBR	KL02AAG	All Versions incl. 3 Dia - OR							
	OR Kit EPDM	KL02AAH	All Versions incl. 3 Dia - OR							
	OR Kit FPM	KL02AAK	All Versions incl. 3 Dia - OR							

10	Imp. lock kit M16	KL39AAB	80-160 ->250/225							
	Imp. lock kit M20	KL39AAC	80-250/238-256							
11	Shaft w/bearings	155040030	80-160/152 ->160/173							
		155040070	80-160/189 -> 80-250/225							
		155040090	80-250/238-256							
13	Covers Kit	KL17ABZ	80-160 ->160/173							
		KL17AB0	80-200/189 -> 80-250/256							
15	Bearings kit	KL11AAP	80-160/152 ->160/173							
		KL11AAQ	80-160/189 -> 80-250/256							
19	Seal rings kit	KL03AAS								

Single Unit

1	Pump body	151350840	151350840	151350840	151350840	151350860	151350860	151350880	151350880	151350880
3	Seal-housing disc	150150080	150150080	150150080	150150080	150150080	150150080	150150080	150150100	150150100
4	Adaptor	161452881	161452881	161452881	161452881	161452841	161452841	161452841	161452841	161452841
5	Wear ring	168601270	168601270	168601270	168601270	168601270	168601270	168601270	168601270	168601270
6	Back wear ring	168601270	168601270	168601270	168601270	168601270	168601270	168601270	168601270	168601270
9	Support casing	161352740	161352740	161352740	161352740	161352940	161352940	161352940	161352940	161352940
12	Casing foot	161402190	161402190	161402190	161402190	161402180	161402180	161402190	161402190	161402190
	Fill - Drain plug	168420090	All Versions, N.2							

Seal housing disc - disc + back wear ring

* Recommended spare parts - Parti di ricambio consigliate

* Pièces détachées conseillées - Empfohlene Ersatzteile

FHBF Series Pumps, Electrical Pumps: Impeller bronze (Item 2)

65	65-160/161	65-160/168	65-160/178	65-200/180	65-200/187	65-200/198	65-200/210	65-250/205	65-250/220	65-250/241	65-250/258
	102403600	102403610	102403620	102403630	102403640	102403650	102403660	102403670	102403680	102403690	102403700
2->	160720410	160720460	160720470	160720510	160720520	160720530	160720540	160720570	160720580	160720590	160720600
	65-160/110A/P	65-160/110/P	65-160/150/P	-	65-200/150/P	65-200/185/P	65-200/220	-	65-250/220	65-250/300	65-250/370
	9,2	11	15	-	15	18,5	22	-	22	30	37
	101440400	101440410	101440420	-	101440430	101440440	102400450	-	102400460	102400470	102400480
	50023VA00	50023VA00	53024VA00	-	53024VA00	50025VA00	130643890	-	130643890	130643900	130643910
	465-160/11/P	465-160/15/P	465-160/22/P	465-200/15/P	-	465-200/22/P	465-200/30/P	-	465-250/30/P	[465-250/40/P]	465-250/55/P
	1,1	1,5	2,2	1,5	-	2,2	3	-	3	[4]	5,5
	101442400	101442410	101442420	101442430	-	101442440	101442450	-	101442460	[101442470]	101442480
	50005RA00	53006RA00	50010RA00	50005RA00	-	50010RA00	50011RA00	-	50011RA00	50015VA00	50020VA00
80	80-160/152	80-160/160	80-160/163	80-160/173	80-200/189	80-200/207	80-250/194	80-250/204	80-250/225	80-250/238	80-250/256
	102403800	-	102403810	102403820	102403830	102403840	102403850	102403860	102403870	102403880	102403890
2->	160720680	160720700	160720710	160720720	160720780	160720790	160720820	160720840	160720870	160720900	160720910
	80-160/110/P	-	[80-160/150/P]	[80-160/185/P]	80-200/220	80-200/300	-	-	80-250/370	80-250/450	80-250/550
	11	-	15	18,5	22	30	-	-	37	45	55
	101440490	-	[101440500]	[101440510]	102400520	102400530	-	-	102400540	102400550	102400560
	50023VA00	-	53024VA00	50025VA00	130643890	130643900	-	-	130643910	130643920	130643930
	-	480-160/15/P	-	480-160/22/P	480-200/30/P	480-200/40/P	480-250/40/P	-	-	480-250/55/P	480-250/75/P
	-	1,5	-	2,2	3	4	4	-	-	5,5	7,5
	-	101442490	-	101442500	101442510	101442520	101442530	-	-	101442540	101442550
	-	53006RA00	-	50010RA00	50011RA00	50015VA00	50015VA00	-	-	50020VA00	50021VA00