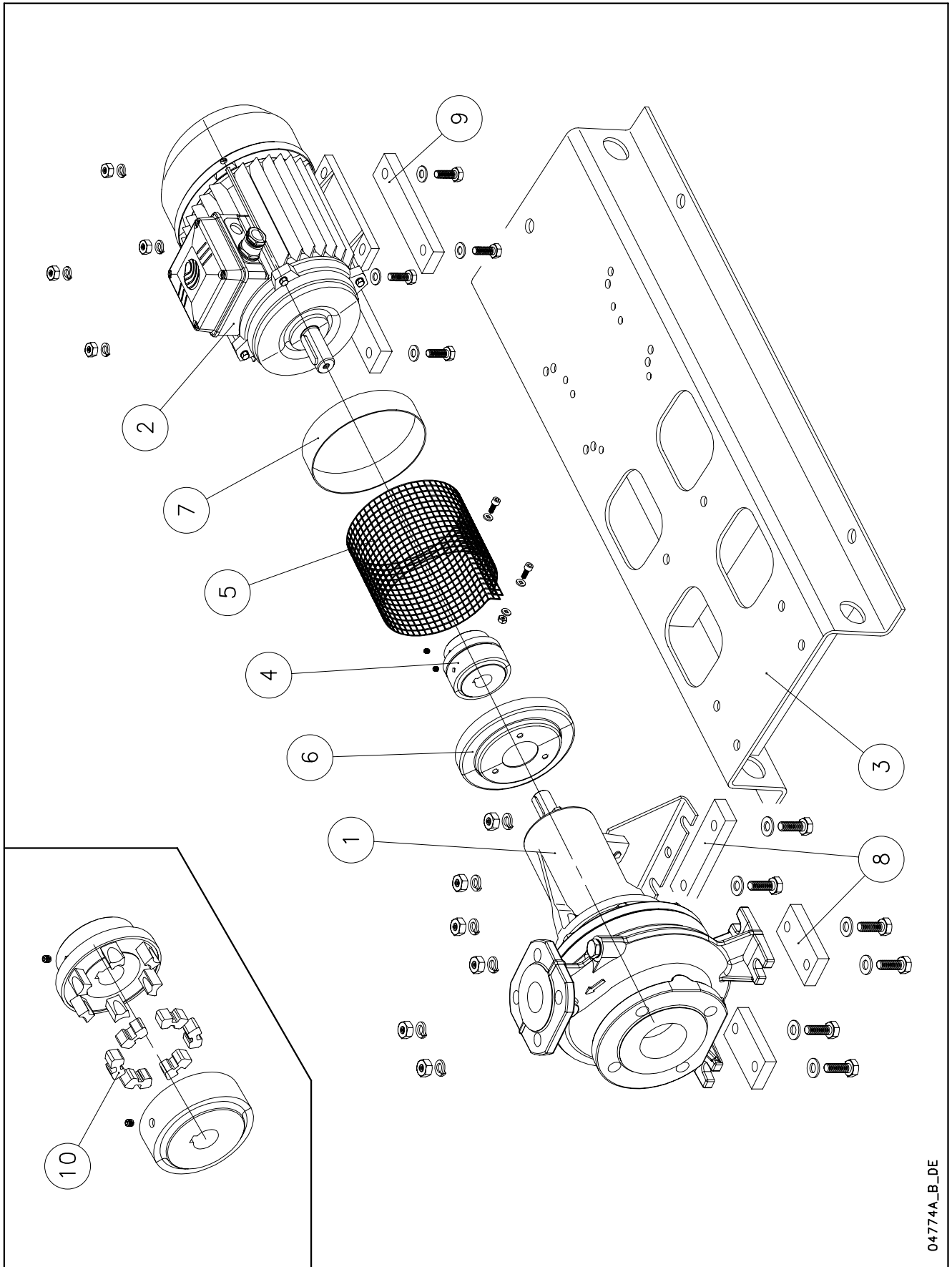


## FHF / GFHF / LN ELP



04774A\_B\_DE

Lowara, Vogel Pumpen are trademarks of Xylem Inc. or one of its subsidiaries.  
Goulds is a registered trademark of Goulds Pumps, Inc. and is used under license.

N.	Descrizione it	Description en	Description fr	Beschreibung de	Descripción es	Descrição pt
1	Pompa	Pump	Pompe	Pumpe	Bomba	Bomba
2	Motore	Motor	Moteur	Motor	Motor	Motor
3	Base	Base	Base	Basis	Base	Base
4	Giunto elastico	Flexible coupling	Manchon élastique	Elastische Kupplung	Junta elástica	Junta elástica
5	Rete protezione giunto	Coupling protection net	Grille protection manchon	Schutznetz Kupplung	Red de protección junta	Rede protecção junta
6	Disco protezione giunto	Coupling protection disk	Disque protection manchon	Schutzscheibe Kupplung	Disco de protección junta	Disco protecção junta
7	Anello protezione giunto	Coupling protection grommet	Anneau protection manchon	Schutzring Kupplung	Anillo de protección junta	Anel protecção junta
8	Spessori pompa	Pump shims	Cales pompe	Distanzstücke Pumpe	Espesores bomba	Calços bomba
9	Spessori motore	Motor shims	Cales moteur	Distanzstücke Motor	Espesores motor	Calços motor
10	Elemento elastico del giunto	Coupling flexible element	Élément élastique du manchon	Elastisches Element der Kupplung	Elemento elástico de la junta	Elemento elástico da junta
N.	Beschrijving nl	Περιγραφή el	Açıklama tr	Kuvaus fi	Описание ru	Opis pl
1	Pomp	Αντλία	Pompa	Pumppu	Насос	Pompa
2	Motor	Κινητήρας	Motor	Moottori	Двигатель	Silnik
3	Pompvoet	Βάση	Taban	Perusta	Основание	Podstawa
4	Elastische koppeling	Ελαστικός σύνδεσμος	Esnek kaplin	Joustokytkin	Упругое соединение	Sprzęgło sprężyste
5	Koppelingsbeschermooster	Πλέγμα προστασίας συνδέσμου	Kaplin koruma ağı	Kytkimen suojaverkko	Сетка для защиты соединения	Siatka ochronna sprzęgła
6	Koppelingsbeschermplaat	Δίσκος προστασίας συνδέσμου	Kaplin koruma diski	Kytkimen suojalevy	Диск для защиты соединения	Tarcza ochronna sprzęgła
7	Koppelingsbeschertring	Δακτύλιος προστασίας συνδέσμου	Kaplin koruma halkası	Kytkimen suojarengas	Кольцо для защиты соединения	Pierścień ochronny sprzęgła
8	Tussenstukken pomp	Παρεμβύσματα συνδέσμου	Pompa ayar pulları	Pumpun kiilat	Утолщающие прокладки насоса	Podkładki pompy
9	Tussenstukken motor	Παρεμβύσματα κινητήρα	Motor ayar pulları	Moottorin kiilat	Утолщающие прокладки двигателя	Podkładki silnika
10	Elastisch element van de koppeling	Ελαστικό στοιχείο συνδέσμου	Kaplinin esnek parçası	Kytkimen jousto-osa	Упругий элемент соединения	Element sprężysty sprzęgła

## FHF 32/P - FHF4 32/P

ELP 3~, 2P	<b>32-125/07</b>	<b>32-125/11</b>	<b>32-160/15/P</b>	<b>32-160/22/P</b>	<b>32-200/30/P</b>	<b>32-200/40/P</b>
	107460370	107460380	101391390	101391400	101391410	101391420
kw ->	<b>0,75</b>	<b>1,1</b>	<b>1,5</b>	<b>2,2</b>	<b>3,0</b>	<b>4,0</b>
ELP 3~, 4P	<b>32-125/02A</b>	<b>32-125/02</b>	<b>32-160/02</b>	<b>32-160/03</b>	<b>32-200/03</b>	<b>32-200/05</b>
	107460600	107460610	107460620	107460630	107460640	107460650
kw ->	<b>0,25</b>	<b>0,25</b>	<b>0,25</b>	<b>0,37</b>	<b>0,37</b>	<b>0,55</b>

### Kit

*4	Flexible coupling	KL10AA0	KL10AA0	KL10AA1	KL10AA1	KL10AA2	KL10AA2
		KL10AAZ	KL10AAZ	KL10AAZ	KL10AAZ	KL10AAZ	KL10AAZ
10	Coupling blocks	KL41AAK	KL41AAK	KL41AAK	KL41AAK	KL41AAL	KL41AAL
		KL41AAK	KL41AAK	KL41AAK	KL41AAK	KL41AAK	KL41AAK

### Single Unit

1	Pump	102229370	102229380	102229390	102229400	102229410	102229420
8	Pump shims						
**2	Motor 3~, 2P	107230460	107230480	50000RA00	50001RA00	50007RA00	50012VA00
	Size	80	80	90	90	100	112
	Motor 3~, 4P	107230600	107230600	107230600	107230660	107230660	107230720
	Size	71	71	71	71	71	80
3	Base	151403600	151403600	151403620	151403620	151403620	151403620
5	Protection net	164600240	164600240	164600240	164600240	164600250	164600250
6	Protection disc	160101230	160101230	160101230	160101230	160101230	160101230
7	Protection ring	168601120	168601120	168601120	168601120	168601120	168601120
9	Motor shims X2	161402550	161402550	161402340	161402340	161403010	161402300
		161402570	161402570	161402400	161402400	161403010	161402420
	Motor shims X2	161403150	161403150	161403170	161403170	161403190	161402760
		161403150	161403150	161403170	161403170	161403190	161402760

\* Recommended spare parts - Parti di ricambio consigliate

\* Pièces détachées conseillées - Empfohlene Ersatzteile

\*\* Motor spare parts: see motor lists - Parti di ricambio motore: vedi liste motore

\*\* Pièces détachées Moteur : voir listes moteur - Motor-Ersatzteile: gem. Motorlisten

FHF32-80\_5\_P\_Feb08\_EdC

## FHF40/P - FHF4 40/P

ELP 3~,2P	<b>40-125/11</b>	<b>40-125/15/P</b>	<b>40-125/22/P</b>	<b>40-160/30/P</b>	<b>40-160/40/P</b>	<b>40-200/55/P</b>	<b>40-200/75/P</b>	<b>40-250/110A/P</b>	<b>40-250/110/P</b>	<b>40-250/150/P</b>
	107460480	101391490	101391500	101391510	101391520	101391530	101391540	101391550	101391560	101391570
	<b>1,1</b>	<b>1,5</b>	<b>2,2</b>	<b>3,0</b>	<b>4,0</b>	<b>5,5</b>	<b>7,5</b>	<b>11,0</b>	<b>11,0</b>	<b>15,0</b>
ELP 3~,4P	<b>40-125/02A</b>	<b>40-125/02</b>	<b>40-125/03</b>	<b>40-160/03</b>	<b>40-160/05</b>	<b>40-200/07</b>	<b>40-200/11/P</b>	<b>40-250/11/P</b>	<b>40-250/15/P</b>	<b>40-250/22/P</b>
	107460670	107460680	107460690	107460700	107460710	107460720	101396540	101396550	101396560	101396570
	<b>0,25</b>	<b>0,25</b>	<b>0,37</b>	<b>0,37</b>	<b>0,55</b>	<b>0,75</b>	<b>1,1</b>	<b>1,1</b>	<b>1,5</b>	<b>2,2</b>

### Kit

*4	Flexible coupling	KL10AA0	KL10AA1	KL10AA1	KL10AA2	KL10AA2	KL10AA3	KL10AA3	KL10AA4	KL10AA4	KL10AA4
		KL10AAZ	KL10AAZ	KL10AAZ	KL10AAZ	KL10AA0	KL10AA0	KL10AA1	KL10AA1	KL10AA1	KL10AA2
10	Coupling blocks	KL41AAK	KL41AAK	KL41AAK	KL41AAL	KL41AAL	KL41AAM	KL41AAM	KL41AAM	KL41AAM	KL41AAM
		KL41AAK	KL41AAK	KL41AAK	KL41AAK	KL41AAK	KL41AAK	KL41AAK	KL41AAK	KL41AAK	KL41AAL

### Single Unit

1	Pump	102229480	102229485	102229500	102229510	102229520	102229530	102229540	102229550	102229560	102229570
		102229480	102229490	102229500	102229510	102229520	102229530	102229540	102229550	102229560	102229570
8	Pump shims										
**2	Motor 3~, 2P	107230480	50000RA00	50001RA00	50007RA00	50012VA00	50016VA00	50017VA00	50023VA00	50023VA00	50024VA00
		80	90	90	100	112	132	132	160	160	160
	Motor 3~, 4P	107230600	107230600	107230660	107230660	107230720	107230780	50005RA00	50005RA00	50006RA00	50010RA00
		71	71	71	71	80	80	90	90	90	100
3	Base 2P	151403630	151403630	151403630	151403620	151403620	151403660	151403660	151403710	151403710	151403710
		151403610	151403610	151403610	151403600	151403600	151403630	151403630	151403650	151403650	151403650
5	Protection net	164600240	164600240	164600240	164600250	164600250	164600260	164600260	164600270	164600270	164600270
		164600240	164600240	164600240	164600240	164600240	164600240	164600240	164600240	164600240	164600250
6	Protection disc	160101230	160101230	160101230	160101230	160101230	160101230	160101230	160101230	160101230	160101230
7	Protection ring	168601120	168601120	168601120	168601120	168601120	168601120	168601120	168601120	168601120	168601120
9	Motor shims X2	161402550	161402320	161402320	161402360		161402440	161402440	161402590	161402590	161402590
		161402570	161402340	161402340	161402380	161402380	161402460	161402460			
	Motor shims X2	161403150	161403150	161403150	161403170	161402720	161402760	161402740	161402950	161402950	161403050
4P		161403150	161403150	161403170	161402720	161402760	161402740	161402950	161402950	161403050	

\* Recommended spare parts - Parti di ricambio consigliate

\* Pièces détachées conseillées - Empfohlene Ersatzteile

\*\* Motor spare parts: see motor lists - Parti di ricambio motore: vedi liste motore

\*\* Pièces détachées Moteur : voir listes moteur - Motor-Ersatzteile: gem. Motorlisten

FHF32-80\_5\_P\_Feb08\_EdC

## FHF50/P - FHF4 50/P

ELP 3~, 2P	<b>50-125/22/P</b>	<b>50-125/30/P</b>	<b>50-125/40/P</b>	<b>50-160/55/P</b>	<b>50-160/75/P</b>	<b>50-200/110A/P</b>	<b>50-200/110/P</b>	<b>50-250/150/P</b>	<b>50-250/185/P</b>	<b>50-250/220</b>
	101391600	101391610	101391620	101391630	101391640	101391650	101391660	101391670	101391680	102221690
kw ->	<b>2,2</b>	<b>3,0</b>	<b>4,0</b>	<b>5,5</b>	<b>7,5</b>	<b>11,0</b>	<b>11,0</b>	<b>15,0</b>	<b>18,5</b>	<b>22,0</b>
ELP 3~, 4P	<b>50-125/03A</b>	<b>50-125/03</b>	<b>50-125/05</b>	<b>50-160/07</b>	<b>50-160/11/P</b>	<b>50-200/11/P</b>	<b>50-200/15/P</b>	<b>50-250/22A/P</b>	<b>50-250/22/P</b>	<b>50-250/30/P</b>
	107460740	107460750	107460760	107460770	101396640	101396650	101396660	101396670	101396680	101396690
kw ->	<b>0,37</b>	<b>0,37</b>	<b>0,55</b>	<b>0,75</b>	<b>1,1</b>	<b>1,1</b>	<b>1,5</b>	<b>2,2</b>	<b>2,2</b>	<b>3,0</b>

### Kit

*4	Flexible coupling	KL10AA1	KL10AA2	KL10AA2	KL10AA3	KL10AA3	KL10AA4	KL10AA4	KL10AA4	KL10AA4	KL10AA7
		KL10AAZ	KL10AAZ	KL10AA0	KL10AA0	KL10AA1	KL10AA1	KL10AA1	KL10AA1	KL10AA2	KL10AA2
10	Coupling blocks	KL41AAK	KL41AAL	KL41AAL	KL41AAM	KL41AAM	KL41AAM	KL41AAM	KL41AAM	KL41AAM	KL41AAN
		KL41AAK	KL41AAK	KL41AAK	KL41AAK	KL41AAK	KL41AAK	KL41AAK	KL41AAK	KL41AAL	KL41AAL

### Single Unit

1	Pump	102229600	102229610	102229620	102229630	102229640	102229650	102229660	102229670	102229680	102229690
8	Pump shims										
**2	Motor 3~, 2P	50001RA00	50007RA00	50012VA00	50016VA00	50017VA00	50023VA00	50023VA00	50024VA00	50025VA00	130643890
	Size	90	100	112	132	132	160	160	160	160	180
	Motor 3~, 4P	107230660	107230660	107230720	107230780	50005RA00	50005RA00	50006RA00	50010RA00	50010RA00	50011RA00
	Size	71	71	80	80	90	90	90	100	100	100
3	Base 2P	151403620	151403620	151403620	151403660	151403660	151403670	151403670	151403710	151403710	151403730
	Base 4P	151403600	151403600	151403600	151403630	151403630	151403630	151403630	151403650	151403650	151403650
5	Protection net	164600240	164600250	164600250	164600260	164600260	164600270	164600270	164600270	164600270	164600270
		164600240	164600240	164600240	164600240	164600240	164600240	164600240	164600240	164600250	164600250
6	Protection disc	160101230	160101230	160101230	160101230	160101230	160101230	160101230	160101230	160101230	160101230
7	Protection ring	168601120	168601120	168601120	168601120	168601120	168601120	168601120	168601120	168601120	168601120
9	Motor shims X2 2P	161402340	161402360		161402440	161402440					
		161402400	161402380	161402380	161402460	161402460			161402590	161402590	
	Motor shims X2 4P	161403170	161403170	161402720	161402760	161402740	161402740	161402740	161403050	161403050	161403050
		161403170	161403170	161402720	161402760	161402740	161402740	161402740	161403050	161403050	161403050

\* Recommended spare parts - Parti di ricambio consigliate

\* Pièces détachées conseillées - Empfohlene Ersatzteile

\*\* Motor spare parts: see motor lists - Parti di ricambio motore: vedi liste motore

\*\* Pièces détachées Moteur : voir listes moteur - Motor-Ersatzteile: gem. Motorlisten

FHF32-80\_5\_P\_Feb08\_EdC

## FHF65/P - FHF4 65/P

ELP 3~, 2P	65-125/40/P	65-160/55/P	65-125/75/P	65-160/110A/P	65-160/110/P	65-160/150/P	65-200/150/P	65-200/185/P	65-200/220	65-250/220
	101391720	101391730	101391740	101391760	101391770	101391780	101391800	101391810	102221820	102221830
kW ->	4,0	5,5	7,5	11,0	11,0	15,0	15,0	18,5	22,0	22,0
	65-250/300	65-250/370								
	102221840	102221850								
kW ->	30,0	37,0								
ELP 3~, 4P	65-125/05	65-125/07	65-125/11/P	65-160/11/P	65-160/15/P	65-160/22/P	65-200/15/P	65-200/22/P	65-200/30/P	65-250/40/P
	107460790	107460800	101396740	101396760	101396770	101396780	101396790	101396810	101396820	101396830
kW ->	0,55	0,75	1,1	1,1	1,5	2,2	1,5	2,2	3,0	3,0
	65-250/55/P	65-250/55/P								
	101396840	101396850								
kW ->	4,0	5,5								

### Kit

*4	Flexible coupling	KL10AA2	KL10AA3	KL10AA3	KL10AA4	KL10AA4	KL10AA4	KL10AA4	KL10AA4	KL10AA7	KL10AA8
		KL10AA9	KL10AA9								
		KL10AA0	KL10AA0	KL10AA1	KL10AA1	KL10AA1	KL10AA2	KL10AA1	KL10AA2	KL10AA2	KL10AA5
		KL10AA5	KL10AA6								
10	Coupling blocks	KL41AAL	KL41AAM	KL41AAM	KL41AAM	KL41AAM	KL41AAM	KL41AAM	KL41AAM	KL41AAN	KL41AAN
		KL41AAP	KL41AAP								
		KL41AAK	KL41AAK	KL41AAK	KL41AAK	KL41AAK	KL41AAL	KL41AAK	KL41AAL	KL41AAL	KL41AAM
		KL41AAM	KL41AAM								

### Single Unit, 2P

1	Pump	102229720	102229730	102229740	102229760	102229770	102229780	102229790	102229810	102229820	102229830
8	Pump shims	102229840	102229850								
**2	Motor	50012VA00	50016VA00	50017VA00	50023VA00	50023VA00	50024VA00	50025VA00	50025VA00	130643890	130643890
		130643900	130643910								
	Size	112	132	132	160	160	160	160	160	180	180
		200	200								
3	Base	151403640	151403650	151403650	151403720	151403720	151403720	151403710	151403710	151403730	151403740
		151403750	151403750								
5	Protection net	164600250	164600260	164600260	164600270	164600270	164600270	164600270	164600270	164600270	164600620
		164600620	164600620								
6	Protection disc	160101230	160101230	160101230	160101230	160101230	160101230	160101230	160101230	160101230	150101850
		150101850	150101850								
7	Protection ring	168601120	168601120	168601120	168601120	168601120	168601120	168601120	168601120	168601120	168601130
		168601130	168601130								
9	Motor shims X2	161402300	161402440	161402440							
		161402420	161402460	161402460				161402590	161402590		161404530

### Single Unit, 4P

1	Pump	102229720	102229730	102229740	102229760	102229770	102229780	102229800	102229810	102229820	102229830
8	Pump shims	102229840	102229850								
**2	Motor	107230720	107230780	50005RA00	50005RA00	50006RA00	50010RA00	50006RA00	50010RA00	50011RA00	50011RA00
		50015VA00	50020VA00								
	Size	80	80	90	90	90	100	90	100	100	100
		112	132								
3	Base	151403640	151403640	151403640	151403650	151403650	151403650	151403650	151403680	151403680	151403690
		151403690	151403690								
5	Protection net	164600240	164600240	164600240	164600240	164600240	164600240	164600240	164600250	164600250	164600610
		164600610	164600610								
6	Protection disc	160101230	160101230	160101230	160101230	160101230	160101230	160101230	160101230	160101230	150101850
		150101850	150101850								
7	Protection ring	168601120	168601120	168601120	168601120	168601120	168601120	168601120	168601120	168601120	168601130
		168601130	168601130								
9	Motor shims X 2	161402760	161402760	161402740	161402740	161402740	161403010	161402950	161403050	161403050	161402970
		161402760	161402760	161402740	161402740	161402740	161403010	161402950	161403050	161403050	161402970
		161403130	161403030								
		161403130	161403030								

\* Recommended spare parts - Parti di ricambio consigliate

\* Pièces détachées conseillées - Empfohlene Ersatzteile

\*\* Motor spare parts: see motor lists - Parti di ricambio motore: vedi liste motore

\*\* Pièces détachées Moteur : voir listes moteur - Motor-Ersatzteile: gem. Motorlisten

FHF32-80\_5\_P\_Feb08\_EdC

## FHF 80 - FHF4 80

ELP 3 ~, 2P	<b>80-160/110/P</b>		<b>80-160/150/P</b>	<b>80-160/185/P</b>	<b>80-200/220</b>	<b>80-200/300</b>	<b>80-250/370</b>	<b>80-250/450</b>	<b>80-250/550</b>
	101391870		101391880	101391890	102221920	102221930	102221960	102221970	102221980
kw ->	<b>11.0</b>		<b>15.0</b>	<b>18.5</b>	<b>22.0</b>	<b>30.0</b>	<b>37.0</b>	<b>45.0</b>	<b>55.0</b>
ELP 3 ~, 4P	<b>80-160/15/P</b>		<b>80-160/22/P</b>	<b>80-200/30/P</b>	<b>80-200/40/P</b>	<b>80-250/40/P</b>	<b>80-250/55/P</b>	<b>80-250/75/P</b>	
	101396870		101396890	101396920	101396930	101396950	101396970	101396980	
kw ->	<b>1.5</b>		<b>2.2</b>	<b>3.0</b>	<b>4.0</b>	<b>4.0</b>	<b>5.5</b>	<b>7.5</b>	

### Kit

*4	Flexible coupling	KL10AA4		KL10AA4	KL10AA4	KL10AA8	KL10AA9	KL10AA9	KL10AA9	KL10ABA
			KL10AA1		KL10AA2	KL10AA5	KL10AA5	KL10AA5	KL10AA6	KL10AA6
10	Coupling blocks	KL41AAM		KL41AAM	KL41AAM	KL41AAN	KL41AAP	KL41AAP	KL41AAP	KL41AAQ
			KL41AAK		KL41AAL	KL41AAM	KL41AAM	KL41AAM	KL41AAM	KL41AAM

### Single Unit

1	Pump	102229870	102229860	102229880	102229890	102229920	102229930	102229960	102229970	102229980	
8	Pump shims								161404380		
									161407800		
									161407770	161407770	161407770
									161407790	161407790	161407790
**2	Motor 3~, 2P	50023VA00		50024VA00	50025VA00	130643890	130643900	130643910	130643920	130643930	
	Size	160		160	160	180	200	200	225	250	
	Motor 3~, 4P		50006RA00		50010RA00	50011RA00	50015VA00	50015VA00	50020VA00	50021VA00	
	Size		90		100	100	112	112	132	132	
3	Base 2P	151403710		151403710	151403710	151403720	151403760	151403770	151403770	151403780	
	Base 4P		151403650		151403680	151403700	151403700	151403730	151403730	151403730	
5	Protect net 2P	164600270		164600270	164600270	164600620	164600620	164600620	164600620	164600630	
	Protect net 4P		164600240		164600250	164600610	164600610	164600610	164600610	164600610	
6	Protect disc	160101230	160101230	160101230	160101230	150101850	150101850	150101850	150101850	150101850	
7	Protect ring	168601120	168601120	168601120	168601120	168601130	168601130	168601130	168601130	168601130	
9	Motor shims X2							161403230			
	2P	161402590		161402590	161402590			161403250		161407830	
	4P		161402950		161403050	161403050	161403030	161407820	161407810	161407810	

\* Recommended spare parts - Parti di ricambio consigliate

\* Pièces détachées conseillées - Empfohlene Ersatzteile

\*\* Motor spare parts: see motor lists - Parti di ricambio motore: vedi liste motore

\*\* Pièces détachées Moteur : voir listes moteur - Motor-Ersatzteile: gem. Motorlisten

FHF32-80\_5\_P\_Feb08\_EdC

**FHBF/P, Impeller (Item 2) - Motor (Item 9) Part Number**

65	<b>65-160/110A/P</b>	<b>65-160 /110/P</b>	<b>65-160/150/P</b>	<b>65-200/150/P</b>	<b>65-200/185/P</b>	<b>65-200/220</b>	<b>65-250/220</b>	<b>65-250/300</b>	<b>65-250/370</b>
	101440400	101440410	101440420	101440430	101440440	102400450	102400460	102400470	102400480
	11 kW	11 kW	15 kW	15 kW	18,5 kW	22 kW	22 kW	30 kW	37 kW
2->	160720410	160720460	160720470	160720520	160720530	160720540	160720580	160720590	160720600
9->	50023VA00	50023VA00	50024VA00	50024VA00	50025VA00	130643890	130643890	130643900	130643910
	<b>465-160/11/P</b>	<b>465-160/15/P</b>	<b>465-160/24/P</b>	<b>465-200/15/P</b>	<b>465-200/24/P</b>	<b>465-200/30/P</b>	<b>465-250/30/P</b>	<b>465-250/40/P</b>	<b>465-250/55/P</b>
	101442400	101442410	101442420	101442430	101442440	101442450	101442460	101442470	101442480
	1,1 kW	1,5 kW	2,2 kW	1,5 kW	2,2 kW	3,0 kW	3,0 kW	4,0 kW	5,5 kW
2->	160720410	160720460	160720470	160720510	160720530	160720540	160720580	160720590	160720600
9->	50005RA00	50006RA00	50010RA00	50006RA00	50010RA00	50011RA00	50011RA00	50015VA00	50020VA00
80	<b>80-160/110/P</b>	<b>80-160/150/P</b>	<b>80-160/185/P</b>	<b>80-200/220</b>	<b>80-200/300</b>	<b>80-250/370</b>	<b>80-250/450</b>	<b>80-250/550</b>	
	101440490	101440500	101440510	102400520	102400530	102400540	102400550	102400560	
	11 kW	15 kW	18.5 kW	22.0 kW	30.0 kW	37.0 kW	45.0 kW	55.0 kW	
2->	160720680	160720710	160720720	160720780	160720790	160720870	160720900	160720910	
9->	50023VA00	50024VA00	50025VA00	130643890	130643900	130643910	130643920	130643930	
	<b>480-160/15/P</b>	-	<b>480-160/22/P</b>	<b>480-200/30/P</b>	<b>480-200/40/P</b>	<b>480-250/40/P</b>	<b>480-250/55/P</b>	<b>480-250/75/P</b>	
	101442490	-	101442500	101442510	101442520	101442530	101442540	101442550	
	1,5 kW	-	2,2 kW	3,0 kW	4,0 kW	4,0 kW	5,5 kW	7,5 kW	
2->	160720700	-	160720720	160720780	160720790	160720870	160720900	160720910	
9->	50006RA00	-	50010RA00	50011RA00	50015VA00	50015VA00	50020VA00	50021VA00	