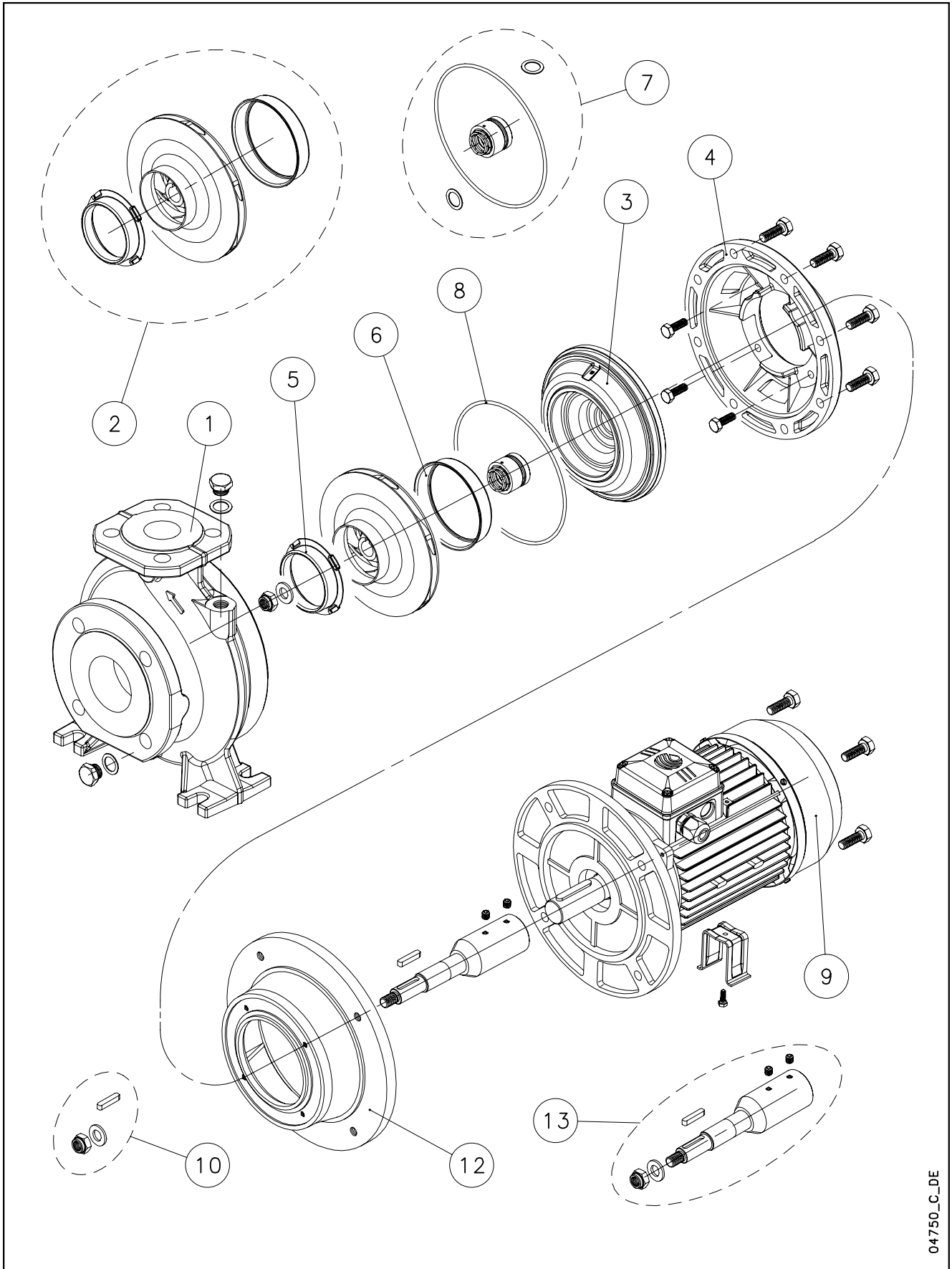


## FHS - FHS4 / GFHS - GFHS4 / LMN - LMN4



04750\_C\_DE

Lowara and Vogel Pumpen are a trademark of Xylem Inc. or one of its subsidiaries.  
Goulds is a registered trademark of Goulds Pumps, Inc. and is used under license.

N.	Descrizione it	Description en	Description fr	Beschreibung de	Descripción es	Descrição pt
1	Corpo pompa completo	Complete pump body	Corps de pompe complete	Kompletter pumpengehäuse	Caja bomba completa	Corpo da bomba complete
2	Girante e anelli di usura	Impeller and wear rings	Roue et anneaux d'usure	Laufrad und Verschleißbringe	Rodete y anillos de desgaste	Impulsor e anéis compensadores de desgaste
3	Disco portatenuta (con anello di usura)	Seal housing disc (with wear ring)	Disque d'étanchéité (avec anneau d'usure)	Dichtungsscheibe (mit Ausgleichsring)	Disco de alojamiento retén (con anillo de desgaste)	Disco porta-vedante (com anel compensador de desgaste)
4	Lanterna	Adaptor	Lanterne	Antriebslaterne	Adaptador	Adaptador
5	Rasamento anteriore	Front wear plate	Bague pour régulation du jeu axial avant	Vordere Ausgleichsscheibe	Espesor delantero	Casquilho anterior
6	Rasamento posteriore	Back wear plate	Bague pour régulation du jeu axial arrière	Hintere Ausgleichsscheibe	Espesor trasero	Casquilho posterior
7	Tenuta meccanica e guarnizione OR	Mechanical seal and O-Ring	Garniture mécanique et joint torique	Gleitringdichtung und O-Ring	Retén mecánico y aro tórico	Vedante mecânico e vedação OR
8	Guarnizione OR	O-Ring	Joint torique	O-Ring	Aro tórico	Vedação OR
9	Motore completo	Complete motor	Moteur complet	Kompletter Motor	Motor completo	Motor complete
10	Gruppo fissaggio girante (dado, rosetta e linguetta)	Impeller locking group (nut, washer and key)	Groupe de fixation roue (ecrou, rondelle et clavette)	Befestigungsgruppe Laufrads auf (Feststellmutter, Unterlegscheibe und Passfeder)	Grupo de fijación rodete (tuerca, arandela y lengüeta)	Grupo de fixação do impulsor (porca, anilha e lingueta)
12	Raccordo motore	Motor connector	Raccord moteur	Motoranschluss	Acoplamiento motor	Conexão motor
13	Giunto con gruppo fissaggio girante	Coupling with impeller locking group	Manchon avec groupe de fixation roue	Kupplung mit Befestigungsgruppe Laufrad	Junta con grupo de fijación rodete	Junta com grupo de fixação do impulsor
N.	Beschrijving nl	Περιγραφή el	Açıklama tr	Kuvaus fi	Описание ru	Opis pl
1	Compleet pomphuis	Πλήρες σώμα αντλίας	Komple pompa gövdesi	Täydellinen pumpun runko	Полный корпус насоса	Kompletny korpus pompy
2	Waaier en slijtringen	Πτερύγιο και δακτύλιοι τριβής	Pompa rotoru ve aşınma halkaları	Juoksupyörä ja kulumisrenkaat	Рабочее колесо и изнашиваемые кольца	Wirnik i pierścienie wymienne
3	Dichtingssteenplaat (met slijtring)	Δίσκος μηχανικού στυπιοθλιπτή και δακτύλιος τριβής	Sızdırmazlık diskisi (aşınma halkası ile)	Tiivisteen kannatuslevy (kulumisrenkaalla)	Диск держателя прокладки (с изнашиваемым кольцом)	Tarcza uszczelki (z wymiennym pierścieniem)
4	Lantaarnstuk	Μπρακέτο	Adaptör	Sovitin	Адаптер	Lampa
5	Voorste schraapring	Πρόσθιος δακτύλιος τριβής	Ön ara halkası	Etuvälilevy	Передняя утолщающая прокладка	Wygładzanie przednie
6	Achterste schraapring	Οπίσθιος δακτύλιος τριβής	Arka ara halkası	Takavälilevy	Задняя утолщающая прокладка	Wygładzanie tylne
7	Mechanische asafdichting en O-ringafdichting	Μηχανικός στυπιοθλιπτής και ροδέλες στεγανότητας	Mekanik conta ve O-Ring	Mekaaninen tiiviste ja O-rengas	Механическая прокладка и уплотнение OR	Uszczelnienie mechaniczne i uszczelka O-Ring
8	O-ringafdichting	Ροδέλα στεγανοποίησης	O-Ring	O-rengas	Прокладка OR	Uszczelka O-Ring
9	Complete motor	Πλήρης κινητήρας	Komple motor	Täydellinen moottori	Укомплектованный двигатель	Kompletny silnik
10	Waaierbevestigingsblok (moer, ring en spie)	Σετ ασφάλισης περυγίου (παξιμάδι, ροδέλα, σφήνα)	Pompa rotorunu sabitleme takımı (somun, rondela ve kama)	Juoksupyörän kiinnityskokonaisuus (mutteri, välirengas ja kiila)	Узел фиксации рабочего колеса (гайка, шайба и шпонка)	Zespół mocujący wirnika (nakrętka, podkładka i wpust)
12	Motorverbinding	Μπρακέτο κινητήρα	Motor bağlantı elemanı	Moottoriliitos	Патрубок двигателя	Złącza silnika
13	Koppeling met waaierbevestigingsblok	Προέκταση άξονα και σετ ασφάλισης περυγίου	Pompa rotorunu sabitleme takımı ile mafsal	Liitos juoksupyörän kiinnityskokonaisuudella	Соединение с узлом фиксации рабочего колеса	Złącze z zespołem mocującym wirnika

## FHS 32/P

Production date > Feb 2008

ELP 3 ~, 2P	32-125/07	32-125/11	32-160/15	32-160/22	32-200/30/P	32-200/40/P
	107450670	107450680	107450690	107450700	101390710	101390720
kW ->	0,75	1,1	1,5	2,2	3,0	4,0

Kit	Dia - Ø	119	136	150	164	188	205
2*	Impeller	KL04AA9	KL04ABA	KL04ABB	KL04ABC	KL04ABD	KL04ABE

7*	Material-->	VBPGG	VBEGG	VCEGG	VBVGG	Q1Q1VGG	
	Mech. Seal D22 kit	KL01AAN	KL01AAS	KL01ABW	KL01AB2	KL01AB5	STD -> Seal VBPGG - OR NBR
8*	OR Kit NBR	KL02AAG	All Versions incl. 3 Dia - OR				
	OR Kit EPDM	KL02AAH	All Versions incl. 3 Dia - OR				
	OR Kit FPM	KL02AAK	All Versions incl. 3 Dia - OR				
10	Imp. lock kit M12	KL39AAA	All Versions				
13	Coupling D:18	KL10AAH	2P->125/11				
		KL10AAK	2P->160/22				
		KL10AAL	2P->200/40				

### Single Unit

1	Pump body	151350520	151350520	151350540	151350540	151350560	151350560
3	Seal-housing disc	160150200	160150200	150150040	150150040	150150050	150150050
4	Adaptor	161430511	161430511	161430511	161430511	161453151	161453151
5	Wear ring	168601491	168601491	168601491	168601491	168601491	168601491
6	Back wear ring					465020201	465020201
9**	Motor 3~, 2P	107230320	107230340	107230360	107230380	50002RE00	50008VE00
12	Mot/connector	167350110	167350110	167350110	167350110	167350160	167350160
	Fill-Drain plug	168420090	All Versions, N.2				

Seal housing disc - disc + back wear ring

\* Recommended spare parts - Parti di ricambio consigliate

\* Pièces détachées conseillées - Empfohlene Ersatzteile

\*\* Motor spare parts: see motor lists - Parti di ricambio motore: vedi liste motore

\*\* Pièces détachées Moteur : voir listes moteur - Motor-Ersatzteile: gem. Motorlisten

FHS32-80\_5\_P\_Feb08\_EdB

## FHS 40/P - FHS4 40/P

	40-125/11	40-125/15	40-125/22	40-160/30/P	40-160/40/P	40-200/55/P	40-200/75/P	40-250/110A/P	40-250/110/P	40-250/150/P
ELP 3 ~, 2P	107450780	107450790	107450800	101390810	101390820	101390830	101390840	101390850	101390860	101390870
kw ->	1,1	1,5	2,2	3	4	5,5	7,5	11	11	15
ELP 3 ~, 4P						40-200/07	40-200/11/P	40-250/11/P	40-250/15/P	40-250/22/P
kw ->						107450920	101395840	101395850	101395860	101395870
						0,75	1,1	1,1	1,5	2,2

Kit	Dia - Ø	112	126	143	159	171	190	209	218	233	251
2*	Impeller 2P	KL04ABF	KL04ABG	KL04ABH	KL04ABK	KL04ABL	KL04ABM	KL04ABN	KL04ABP	KL04ABQ	KL04ABR
	Impeller 4P						KL04ABM	KL04ABN	KL04ABP	KL04ABQ	KL04ABR

7*	Material ->	<b>VBPGG</b>	<b>VBEGG</b>	<b>VCEGG</b>	<b>VBVGG</b>	<b>Q1Q1VGG</b>	Seal D22, 2P->250/110	
	Mech Seal D22 kit	KL01AAN	KL01AAS	KL01ABW	KL01AB2	KL01AB5	Seal D22, 4P->250/150	
	Material ->	<b>VBPGG</b>	<b>VBEGG</b>	<b>VCEGG</b>	<b>VBVGG</b>	<b>Q1Q1VGG</b>	Seal D: 28, 2P - 250/150	
	Mech Seal D28 kit	KL01AAR	KL01AAV	KL01ABX	KL01AB3	KL01AB6	Seal D: 28, 4P->250/22	STD -> Seal VBPGG - OR NBR
8*	OR Kit NBR	KL02AAG	<b>All Versions incl. 3 Dia - OR</b>					
	OR Kit EPDM	KL02AAH	<b>All Versions incl. 3 Dia - OR</b>					
	OR Kit FPM	KL02AAK	<b>All Versions incl. 3 Dia - OR</b>					
10	Imp. lock kit M12	KL39AAA	<b>2P-&gt;250/110</b>		<b>4P-&gt;250/15</b>			
	Imp. lock kit M16	KL39AAB	<b>2P, 250/150</b>		<b>4P, 250/22</b>			
13	Coupling D:18	KL10AAH	<b>2P-&gt;125/11</b>		<b>4P-&gt;200/07</b>			
		KL10AAK	<b>2P-&gt;125/22</b>		<b>4P-&gt;250/15</b>			
		KL10AAL	<b>2P-&gt;160/40</b>					
		KL10AAM	<b>2P-&gt;200/75</b>					
		KL10AAN	<b>2P-&gt;250/110</b>					
	Coupling D:24	KL10AAQ			<b>4P, 250/22</b>			
		KL10AAS	<b>2P, 250/150</b>					

### Single Unit

1	Pump body	151350580	151350580	151350580	151350600	151350600	151350620	151350620	151350640	151350640	151350650
3	Seal-housing disc	160150200	160150200	160150200	150150040	150150040	150150050	150150050	150150070	150150070	150150090
4	Adaptor 2P	161430511	161430511	161430511	161430521	161430521	161453141	161453141	161453141	161453141	161453141
	Adaptor 4P						161453151	161453151	161452881	161452881	161452881
5	Wear ring	168601500	168601500	168601500	168601500	168601500	168601500	168601500	168601511	168601511	168601511
6	Back wear ring				465020201	465020201	465020201	465020201			
9**	Motor 3~, 2P	107230340	107230360	107230380	50002RE00	50008VE00	50013VE00	50017VB00	50023VC00	50023VC00	50024VC00
	Motor 3~, 4P						107230800	50005RB00	50005RB00	50006RB00	50010RB00
12	Mot/connector 2P	167350110	167350110	167350110	167350120	167350120	167350130	167350130	167350140	167350140	167350140
	Mot/connector 4P						167350150	167350150	167350150	167350150	167350160
	Fill-Drain plug	168420090	All Versions, N.2								

Seal housing disc - disc + back wear ring

\* Recommended spare parts - Parti di ricambio consigliate

\* Pièces détachées conseillées - Empfohlene Ersatzteile

\*\* Motor spare parts: see motor lists - Parti di ricambio motore: vedi liste motore

\*\* Pièces détachées Moteur : voir listes moteur - Motor-Ersatzteile: gem. Motorlisten

FHS32-80\_5\_P\_Feb08\_EdB

## FHS 50/P - FHS4 50/P

	50-125/22	50-125/30/P	50-125/40/P	50-160/55/P	50-160/75/P	50-200/110A/P	50-200/110/P	50-250/150/P	50-250/185/P	50-250/220/P
ELP 3 ~, 2P	107450900	101390910	101390920	101390930	101390940	101390950	101390960	101390970	101390980	101390990
kW ->	2,2	3	4	5,5	7,5	11	11	15	18,5	22
				<b>50-160/07</b>	<b>50-160/11/P</b>	<b>50-200/11/P</b>	<b>50-200/15/P</b>	<b>50-250/22A/P</b>	<b>50-250/22/P</b>	<b>50-250/30/P</b>
ELP 3 ~, 4P				107450940	101395940	101395950	101395960	101395970	101395980	101395990
kW ->				0,75	1,1	1,1	1,5	2,2	2,2	3

Kit	Dia - Ø	119	130	139	158	174	197	209	224	237	250
2*	Impeller 2P	KL04ABS	KL04ABT	KL04ABU	KL04ABV	KL04ABW	KL04ABX	KL04ABY	KL04ABZ	KL04AB0	KL04AB1
	Impeller 4P				KL04ABV	KL04ABW	KL04ABX	KL04ABY	KL04ABZ	KL04AB0	KL04AB1

7*	Material ->	<b>VBPGG</b>	<b>VBEGG</b>	<b>VCEGG</b>	<b>VBVGG</b>	<b>Q1Q1VGG</b>	Seal D22, 2P->200/110	
	Mech Seal D22 kit	KL01AAN	KL01AAS	KL01ABW	KL01AB2	KL01AB5	Seal D22, 4P->200/15	
	Material ->	<b>VBPGG</b>	<b>VBEGG</b>	<b>VCEGG</b>	<b>VBVGG</b>	<b>Q1Q1VGG</b>	Seal D: 28, 2P - 250/220	
	Mech Seal D28 kit	KL01AAR	KL01AAV	KL01ABX	KL01AB3	KL01AB6	Seal D: 28, 4P->250/30	STD -> Seal VBPGG - OR NBR
8*	OR Kit NBR	KL02AAG	<b>All Versions incl. 3 Dia - OR .</b>					
	OR Kit EPDM	KL02AAH	<b>All Versions incl. 3 Dia - OR .</b>					
	OR Kit FPM	KL02AAK	<b>All Versions incl. 3 Dia - OR .</b>					
10	Imp. lock kit M12	KL39AAA	<b>2P-&gt;200/110</b>		<b>4P-&gt;200/15</b>			
	Imp. lock kit M18	KL39AAB	<b>2P, 250</b>		<b>4P, 250</b>			
13	Coupling D:18	KL10AAH			<b>4P-&gt;125/07</b>			
		KL10AAK	<b>2P, 125/22</b>		<b>4P-&gt;200/15</b>			
		KL10AAL	<b>2P-&gt;125/40</b>					
		KL10AAM	<b>2P-&gt;160/75</b>					
		KL10AAN	<b>2P-&gt;200/110</b>					
	Coupling D:24	KL10AAQ			<b>4P-&gt;250/30</b>			
		KL10AAS	<b>2P-&gt;250/185</b>					
		KL10AAT	<b>2P,250/220</b>					

### Single Unit

1	Pump body	151350660	151350660	151350660	151350680	151350680	151350710	151350710	151350730	151350730	
					151350680	151350680	151350700	151350700	151350720	151350720	151350720
3	Seal-housing disc	160150200	160150200	160150200	150150050	150150050	150150050	150150050	150150090	150150090	
					150150050	150150050	150150050	150150050	150150090	150150090	150150090
4	Adaptor	161430511	161430521	161430521	161453151	161453151	161453151	161453151	161452881	161452881	
							161453151	161453151	161452841	161452841	161452841
5	Wear ring	168601511	168601511	168601511	168601511	168601511	168601511	168601511	168601511	168601511	
					168601511	168601511	168601511	168601511	168601511	168601511	168601511
6	Back wear ring					465020201	465020201	465020201			
						465020201	465020201	465020201			
9**	Motor 3~, 2P	107230380	50002RE00	50008VE00	50013VE00	50017VB00	50023VC00	50023VC00	50024VC00	50025VC00	50026VM00
	Motor 3~, 4P				107230800	50005RB00	50005RB00	50006RB00	50010RB00	50010RB00	50011RB00
12	Mot/connector 2P	167350110	167350120	167350120	167350130	167350130	167350140	167350140	167350140	167350140	167350140
	Mot/connector 4P						167350150	167350150	167350160	167350160	167350160
	Fill-Drain plug	168420090	All Versions, N.2								

Seal housing disc - disc + back wear ring

\* Recommended spare parts - Parti di ricambio consigliate

\*\* Pièces détachées conseillées - Empfohlene Ersatzteile

\*\* Motor spare parts: see motor lists - Parti di ricambio motore: vedi liste motore

\*\* Pièces détachées Moteur : voir listes moteur - Motor-Ersatzteile: gem. Motorlisten

FHS32-80\_5\_P\_Feb08\_EdB

## FHS 65/P - FHS4 65/P

	65-125/40/P	65-125/55/P	65-125/75/P	65-160/110A/P	65-160/110/P	65-160/150/P	65-200/150/P	65-200/185/P	65-200/220/P	65-250/220/P
ELP 3 ~, 2P	101391020	101391030	101391040	101391060	101391070	101391080	101391090	101391100	101391110	101391120
KW ->	4.0	5.5	7.5	11	11	15	15	18.5	22	22
	<b>65-250/300</b>	<b>65-250/370</b>								
KW ->	102221130	102221140								
	30	37								

	65-125/05	65-125/07	65-125/11/P	65-160/11/P	65-160/15/P	65-160/22/P	65-200/15/P	65-200/22/P	65-200/30/P	65-250/30/P
ELP 3 ~, 4P	107450960	107450970	101396040	101396060	101396070	101396080	101396090	101396100	101396110	101396120
KW ->	0.55	0.75	1.1	1.1	1.5	2.2	1.5	2.2	3.0	3.0
	<b>65-250/40/P</b>	<b>65-250/55/P</b>								
KW ->	101396130	101396140								
	4.0	5.5								

### Kit

	121	129	140	161	168	178	187	198	210	220
Dia - Ø	241	258								
2* Impeller 2P	KL04AB2	KL04AB3	KL04AB4	KL04AB5	KL04AB6	KL04AB7	KL04AB8	KL04AB9	KL04ACA	KL04ACB
	KL04ALA	KL04ALB								
Impeller 4P	KL04AB2	KL04AB3	KL04AB4	KL04AB5	KL04AB6	KL04AB7	KL04AB8	KL04AB9	KL04ACA	KL04ACB
	KL04ALA	KL04ALB								

7* Material ->	<b>VBPGG</b>	<b>VBEGG</b>	<b>VCEGG</b>	<b>VBVGG</b>	<b>Q1Q1VGG</b>	Seal D22, 2P->160/110A	STD -> Seal VBPGG - OR NBR
	KL01AAN	KL01AAS	KL01ABW	KL01AB2	KL01AB5	Seal D22, 4P->160/15	
Mech Seal D22 kit	<b>VBPGG</b>	<b>VBEGG</b>	<b>VCEGG</b>	<b>VBVGG</b>	<b>Q1Q1VGG</b>	Seal D: 28, 2P - 250/370	
Material ->	<b>VBPGG</b>	<b>VBEGG</b>	<b>VCEGG</b>	<b>VBVGG</b>	<b>Q1Q1VGG</b>	Seal D: 28, 4P->250/55	
Mech Seal D28 kit	KL01AAR	KL01AAV	KL01ABX	KL01AB3	KL01AB6		

8* OR NBR Kit	KL02AAG	All Versions incl. 3 Dia - OR									
	OR EPDM Kit	KL02AAH	All Versions incl. 3 Dia - OR								
	OR FPM Kit	KL02AAK	All Versions incl. 3 Dia - OR								
10 Imp.lock kit M12	KL39AAA	2P->160/110A; 4P->160/15									
Imp.lock kit M16	KL39AAB	2P->250/370; 4P->250/55									
13 Coupling D18	KL10AAH		4P->125/07								
	KL10AAK		4P->160/11								
	KL10AAL	2P, 125/40									
	KL10AAM	2P->125/75									
	KL10AAN	2P->160/110A									
Coupling D24	KL10AAP		4P->160-200/15								
	KL10AAQ		4P->250/40								
	KL10AAR		4P, 250/55								
	KL10AAS	2P->200/185									
	KL10AAT	2P->250/220									
	KL10AAU	2P->250/370									

### Single Unit, 2P

1 Pump body	151350740	151350740	151350740	151350770	151350770	151350770	151350790	151350790	151350790	151350810
	151350810	151350810								
3 Seal-housing disc	160150220	160150220	160150220	150150070	150150080	150150080	150150080	150150080	150150080	150150080
	150150080	150150080								
4 Adaptor, 2P	161453141	161452881	161452881	161452881	161452881	161452881	161452881	161452881	161452881	161452881
	161452850	161452850								
5 Wear ring	168601520	168601520	168601520	168601580	168601580	168601580	168601580	168601580	168601580	168601580
	168601580	168601580								
6 Back wear ring	168601270	168601270				168601270	168601270	168601270	168601270	168601270
	168601270	168601270								
9** Motor 3~, 2P	50008VE00	50013VE00	50017VB00	50023VC00	50023VC00	50024VC00	50024VC00	50025VC00	50026VM00	50026VM00
	130643701	130643711								
12 Mot/Connector	167350160	167350130	167350140	167350140	167350140	167350140	167350140	167350140	167350140	167350140
	167350140	167350140								

### Single Unit, 4P

1 Pump body	151350740	151350740	151350740	151350760	151350760	151350760	151350780	151350780	151350780	151350800
	151350800	151350800								
3 Seal-housing disc	160150220	160150220	160150220	150150070	150150070	150150080	150150080	150150080	150150080	150150080
	150150080	150150080								
4 Adaptor, 4P	161453151	161453151	161453151	161452881	161452881	161452881	161452881	161452881	161452881	161452881
	161452881	161452881								
5 Wear ring	168601521	168601521	168601521	168601580	168601580	168601580	168601580	168601580	168601580	168601580
	168601580	168601580								
6 Back wear ring	168601270	168601270				168601270	168601270	168601270	168601270	168601270
	168601270	168601270								
g** Motor 3~, 4P	107230740	107230800	50005RB00	50005RB00	50006RB00	50010RB00	50006RB00	50010RB00	50011RB00	50011RB00
	50015VB00	50020VB00								
12 Mot/Connector	167350150	167350150	167350150	167350150	167350150	167350160	167350160	167350160	167350160	167350130
	167350130	167350130								
Fill-Drain plug	168420090	All Versions, N.2								

Seal housing disc - disc + back wear ring

- \* Recommended spare parts - Parti di ricambio consigliate
- \* Pièces détachées conseillées - Empfohlene Ersatzteile
- \*\* Motor spare parts: see motor lists - Parti di ricambio motore: vedi liste motore
- \*\* Pièces détachées Moteur : voir listes moteur - Motor-Ersatzteile: gem. Motorlisten

## FHS 80/P - FHS4 80/P

	80-160/110/P	80-160/150/P	80-160/185/P	80-200/220/P	80-200/300	80-250/370		80-250/450	80-250/550
ELP 3 ~, 2P	101391170	101391180	101391190	101391220	102221230	102221260		102221270	102221280
kw ->	11	15	18,5	22	30	37		45	55
ELP 3 ~, 4P	101396170		101396180	101396200	101396210		101396250	101396260	101396270
kw ->	1,5		2,2	3,0	4,0		4,0	5,5	7,5

Kit	Dia - Ø	160	226	163	173	189	209	225	225	238	256
2*	Impeller 2P		KL04AK6	KL04AK7	KL04AK1	KL04AK2	KL04AK3	KL04ALC		KL04AK5	KL04ALD
	Impeller 4P	KL04AK0			KL04AK1	KL04AK2	KL04AK3		KL04ALC	KL04AK5	KL04ALD

7*	Material ->	<b>VBPGG</b>	<b>VBEGG</b>	<b>VCEGG</b>	<b>VBVGG</b>	<b>Q1Q1VGG</b>	Seal D28, 2P->250/370	
	Mech Seal D28 kit	KL01AAR	KL01AAV	KL01ABX	KL01AB3	KL01AB6	Seal D28, 4P->250/40	
	Material ->	<b>VBPGG</b>	<b>VBEGG</b>	<b>VCEGG</b>	<b>VBVGG</b>	<b>Q1Q1VGG</b>	Seal D: 33, 2P -> 250/550	
	Mech Seal D33 kit	KL01ABU	KL01ABV	KL01AB1	KL01AB4	KL01AB7	Seal D: 33, 4P->250/75	STD -> Seal VBPGG - OR NBR
8*	OR Kit NBR	KL02AAG	Incl. 3 Dia - OR					
	OR Kit EPDM	KL02AAH	Incl. 3 Dia - OR					
	OR Kit FPM	KL02AAK	Incl. 3 Dia - OR					
10	Imp. lock kit M16	KL39AAB	2P->250/370			4P->250/40		
	Imp. lock kit M20	KL39AAC	2P->250/550			4P->250/75		
13	Coupling D: 24	KL10AAP				4P->160,15		
		KL10AAQ				4P->250/40		
		KL10AAS	2P->160/185					
		KL10AAT	2P, 200/220					
		KL10AAU	2P->250/370					
	Coupling D: 29	KL10AAV				4P->250/75		
		KL10AAW	2P, 250/450					
		KL10AAX	2P, 250/550					

### Single Unit

1	Pump body		151350850	151350850	151350850	151350870	151350870	151350890		151350890	151350890
		151350840			151350840	151350860	151350860		151350880	151350880	151350880
3	Seal-housing disc		150150080	150150080	150150080	150150080	150150080	150150080		150150100	150150100
		150150080			150150080	150150080	150150080		150150080	150150100	150150100
4	Adaptor		161452881	161452881	161452881	161452881	161452881	161452850		161452860	161452870
		161452881			161452881	161452881	161452881		161452881	161452881	161452881
5	Wear ring		168601270	168601270	168601270	168601270	168601270	168601270		168601270	168601270
		168601270			168601270	168601270	168601270		168601270	168601270	168601270
6	Back wear ring		168601270	168601270	168601270	168601270	168601270	168601270		168601270	168601270
		168601270			168601270	168601270	168601270	168601270	168601270	168601270	168601270
9**	Motor 3~, 2P		50023VC00	50024VC00	50025VC00	50026VM00	130643701	130643711		130643721	130643731
	Size		160	160	160	160	200	200		225	250
	Motor 3~, 4P	50006RB00			50010RB00	50011RB00	50015VB00		50015VB00	50020VB00	50021VB00
	Size	90			100	100	112		112	132	132
12	Mot/connector 2P		167350140	167350140	167350140	167350140					
	Mot/connector 4P	167350150			167350160	167350160	167350160		167350160	167350130	167350130
	Fill-Drain plug	168420090	All Versions, N.2								

Seal housing disc - disc + back wear ring

\* Recommended spare parts - Parti di ricambio consigliate

\* Pièces détachées conseillées - Empfohlene Ersatzteile

\*\* Motor spare parts: see motor lists - Parti di ricambio motore: vedi liste motore

\*\* Pièces détachées Moteur : voir listes moteur - Motor-Ersatzteile: gem. Motorlisten

**FHBS/P, Impeller (Item 2) - Motor (Item 9) Part Number**

65	<b>65-160/110A/P</b>	<b>65-160 /110 /P</b>	<b>65-160/150/P</b>	<b>65-200/150/P</b>	<b>65-200/185/P</b>	<b>65-200/220/P</b>	<b>65-250/220/P</b>			
	101440200	101440210	101440220	101440230	101440240	101440250	101440260			
	9,2 kW	11 kW	15 kW	15 kW	18,5 kW	22 kW	22 kW			
	2->	160720410	160720460	160720470	160720520	160720530	160720540	160720580		
	9->	50023VC00	50023VC00	50024VC00	50024VC00	50025VC00	50026VM00	50026VM00		
		<b>465-160/11/P</b>	<b>465-160/15/P</b>	<b>465-160/22/P</b>	<b>465-200/15/P</b>	<b>465-200/22/P</b>	<b>465-200/30/P</b>	<b>465-250/30/P</b>	<b>465-250/40/P</b>	<b>465-250/55/P</b>
		101442200	101442210	101442220	101442230	101442240	101442250	101442260	101442270	101442280
		1,1 kW	1,5 kW	2,2 kW	1,5 kW	2,2 kW	3,0 kW	3,0 kW	4,0 kW	5,5 kW
	2->	160720410	160720460	160720470	160720510	160720530	160720540	160720580	160720590	160720600
	9->	50005RB00	50006RB00	50010RB00	50006RB00	50010RB00	50011RB00	50011RB00	50015VB00	50020VB00
80	<b>80-160/110/P</b>	<b>80-160/150/P</b>	<b>80-160/185/P</b>	<b>80-200/220/P</b>						
	101440290	101440300	101440310	101440320						
	11 kW	15 kW	18.5 kW	22 kW						
	2->	160720680	160720710	160720720	160720780					
	9->	50023VC00	50024VC00	50025VC00	50026VM00					
		<b>480-160/15/P</b>		<b>480-160/22/P</b>	<b>480-200/30/P</b>	<b>480-200/40/P</b>	<b>480-250/40/P</b>	<b>480-250/55/P</b>	<b>480-250/75/P</b>	
		101442290		101442300	101442310	101442320	101442330	101442340	101442350	
		1,5 kW		2,2 kW	3 kW	4 kW	4 kW	5,5 kW	7,5 kW	
	2->	160720700		160720720	160720780	160720790	160720870	160720900	160720910	
	9->	50006RB00		50010RB00	50011RB00	50015VB00	50015VB00	50020VB00	50021VB00	