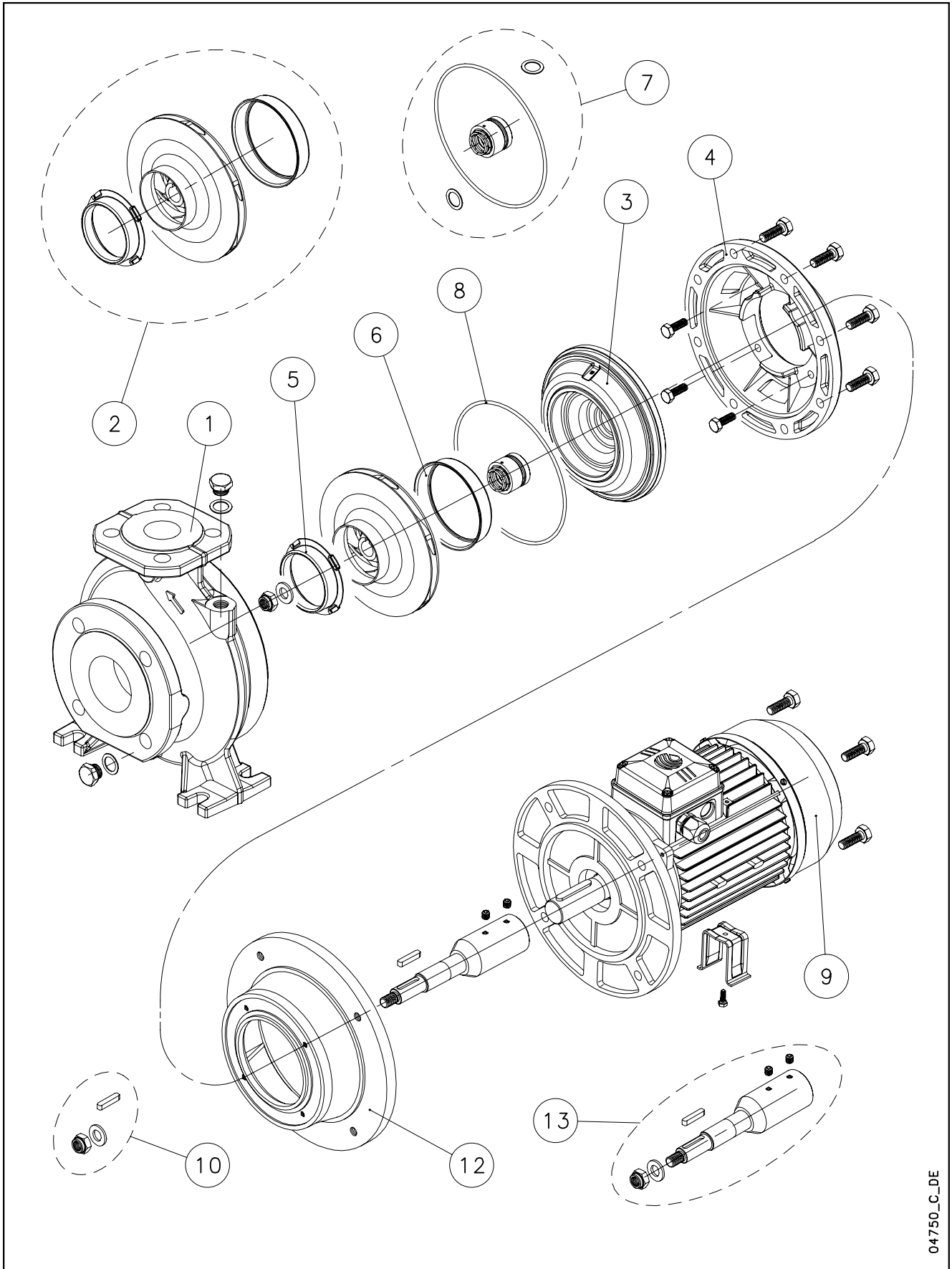


## FHS - FHS4 / GFHS - GFHS4 / LMN - LMN4



04750\_C\_DE

Lowara and Vogel Pumpen are a trademark of Xylem Inc. or one of its subsidiaries.  
Goulds is a registered trademark of Goulds Pumps, Inc. and is used under license.

N.	Descrizione it	Description en	Description fr	Beschreibung de	Descripción es	Descrição pt
1	Corpo pompa completo	Complete pump body	Corps de pompe complete	Kompletter pumpengehäuse	Caja bomba completa	Corpo da bomba complete
2	Girante e anelli di usura	Impeller and wear rings	Roue et anneaux d'usure	Laufrad und Verschleißbringe	Rodete y anillos de desgaste	Impulsor e anéis compensadores de desgaste
3	Disco portatenuta (con anello di usura)	Seal housing disc (with wear ring)	Disque d'étanchéité (avec anneau d'usure)	Dichtungsscheibe (mit Ausgleichsring)	Disco de alojamiento retén (con anillo de desgaste)	Disco porta-vedante (com anel compensador de desgaste)
4	Lanterna	Adaptor	Lanterne	Antriebslaterne	Adaptador	Adaptador
5	Rasamento anteriore	Front wear plate	Bague pour régulation du jeu axial avant	Vordere Ausgleichsscheibe	Espesor delantero	Casquilho anterior
6	Rasamento posteriore	Back wear plate	Bague pour régulation du jeu axial arrière	Hintere Ausgleichsscheibe	Espesor trasero	Casquilho posterior
7	Tenuta meccanica e guarnizione OR	Mechanical seal and O-Ring	Garniture mécanique et joint torique	Gleitringdichtung und O-Ring	Retén mecánico y aro tórico	Vedante mecânico e vedação OR
8	Guarnizione OR	O-Ring	Joint torique	O-Ring	Aro tórico	Vedação OR
9	Motore completo	Complete motor	Moteur complet	Kompletter Motor	Motor completo	Motor complete
10	Gruppo fissaggio girante (dado, rosetta e linguetta)	Impeller locking group (nut, washer and key)	Groupe de fixation roue (ecrou, rondelle et clavette)	Befestigungsgruppe Laufrads auf (Feststellmutter, Unterlegscheibe und Passfeder)	Grupo de fijación rodete (tuerca, arandela y lengüeta)	Grupo de fixação do impulsor (porca, anilha e lingueta)
12	Raccordo motore	Motor connector	Raccord moteur	Motoranschluss	Acoplamiento motor	Conexão motor
13	Giunto con gruppo fissaggio girante	Coupling with impeller locking group	Manchon avec groupe de fixation roue	Kupplung mit Befestigungsgruppe Laufrad	Junta con grupo de fijación rodete	Junta com grupo de fixação do impulsor
N.	Beschrijving nl	Περιγραφή el	Açıklama tr	Kuvaus fi	Описание ru	Opis pl
1	Compleet pomphuis	Πλήρες σώμα αντλίας	Komple pompa gövdesi	Täydellinen pumpun runko	Полный корпус насоса	Kompletny korpus pompy
2	Waaier en slijtringen	Πτερύγιο και δακτύλιοι τριβής	Pompa rotoru ve aşınma halkaları	Juoksupyörä ja kulumisrenkaat	Рабочее колесо и изнашиваемые кольца	Wirnik i pierścienie wymienne
3	Dichtingssteenplaat (met slijtring)	Δίσκος μηχανικού στυπιοθλιπτή και δακτύλιος τριβής	Sızdırmazlık diskisi (aşınma halkası ile)	Tiivisteen kannatuslevy (kulumisrenkaalla)	Диск держателя прокладки (с изнашиваемым кольцом)	Tarcza uszczelki (z wymiennym pierścieniem)
4	Lantaarnstuk	Μπρακέτο	Adaptör	Sovitin	Адаптер	Lampa
5	Voorste schraapring	Πρόσθιος δακτύλιος τριβής	Ön ara halkası	Etvälilevy	Передняя утолщающая прокладка	Wygładzanie przednie
6	Achterste schraapring	Οπίσθιος δακτύλιος τριβής	Arka ara halkası	Takavälilevy	Задняя утолщающая прокладка	Wygładzanie tylne
7	Mechanische asafdichting en O-ringafdichting	Μηχανικός στυπιοθλιπτής και ροδέλες στεγανότητας	Mekanik conta ve O-Ring	Mekaaninen tiiviste ja O-rengas	Механическая прокладка и уплотнение OR	Uszczelnienie mechaniczne i uszczelka O-Ring
8	O-ringafdichting	Ροδέλα στεγανοποίησης	O-Ring	O-rengas	Прокладка OR	Uszczelka O-Ring
9	Complete motor	Πλήρης κινητήρας	Komple motor	Täydellinen moottori	Укомплектованный двигатель	Kompletny silnik
10	Waaierbevestigingsblok (moer, ring en spie)	Σετ ασφάλισης περυγίου (παξιμάδι, ροδέλα, σφήνα)	Pompa rotorunu sabitleme takımı (somun, rondela ve kama)	Juoksupyörän kiinnityskokonaisuus (mutteri, välirengas ja kiila)	Узел фиксации рабочего колеса (гайка, шайба и шпонка)	Zespół mocujący wirnika (nakrętka, podkładka i wpust)
12	Motorverbinding	Μπρακέτο κινητήρα	Motor bağlantı elemanı	Moottoriliitos	Патрубок двигателя	Złącza silnika
13	Koppeling met waaierbevestigingsblok	Προέκταση άξονα και σετ ασφάλισης περυγίου	Pompa rotorunu sabitleme takımı ile mafsal	Liitos juoksupyörän kiinnityskokonaisuudella	Соединение с узлом фиксации рабочего колеса	Złącze z zespołem mocującym wirnika

## FHS 32

	32-125/07	32-125/11	32-160/15	32-160/22	32-200/30	32-200/40
ELP 3 ~, 2P	107450670	107450680	107450690	107450700	102220710	102220720
kW ->	0,75	1,1	1,5	2,2	3,0	4,0

Kit	Dia - Ø	119	136	150	164	188	205
2* Impeller		KL04AA9	KL04ABA	KL04ABB	KL04ABC	KL04ABD	KL04ABE

7*	Material-->	VBPGG	VBEGG	VCEGG	VBVGG	Q1Q1VGG	
	Mech. Seal D22 kit	KL01AAN	KL01AAS	KL01ABW	KL01AB2	KL01AB5	STD -> Seal VBPGG - OR NBR
8*	OR Kit NBR	KL02AAG	All Versions incl. 3 Dia - OR				
	OR Kit EPDM	KL02AAH	All Versions incl. 3 Dia - OR				
	OR Kit FPM	KL02AAK	All Versions incl. 3 Dia - OR				
10	Imp. lock kit M12	KL39AAA	All Versions				
13	Coupling D:18	KL10AAH	2P->125/11				
		KL10AAK	2P->160/22				
		KL10AAL	2P->200/40				

### Single Unit

1	Pump body	151350520	151350520	151350540	151350540	151350560	151350560
3	Seal-housing disc	160150200	160150200	150150040	150150040	150150050	150150050
4	Adaptor	161430511	161430511	161430511	161430511	161453151	161453151
5	Wear ring	168601491	168601491	168601491	168601491	168601491	168601491
6	Back wear ring					465020201	465020201
9**	Motor 3~, 2P	107230320	107230340	107230360	107230380	107106257	107106307
	Size	71	71	80	80	90	100
12	Mot/connector	167350110	167350110	167350110	167350110	167350160	167350160
	Fill-Drain plug	168420090	All Versions, N.2				

Seal housing disc - disc + back wear ring

\* Recommended spare parts - Parti di ricambio consigliate

\* Pièces détachées conseillées - Empfohlene Ersatzteile

\*\* Motor spare parts: see motor lists - Parti di ricambio motore: vedi liste motore

\*\* Pièces détachées Moteur : voir listes moteur - Motor-Ersatzteile: gem. Motorlisten

FHS32-80\_5\_Jan00\_EdE

## FHS 40 - FHS4 40

	40-125/11	40-125/15	40-125/22	40-160/30	40-160/40	40-200/55	40-200/75	40-250/110A	40-250/110	40-250/150
ELP 3 ~,2P	107450780	107450790	107450800	102220810	102220820	102220830	102225840	102225850	102225860	102225870
kw ->	1,1	1,5	2,2	3	4	5,5	7,5	11	11	15
ELP 3 ~,4P						107450920	102225840	102225850	102225860	102225870
kw ->						0,75	1,1	1,1	1,5	2,2

Kit	Dia - Ø	112	126	143	159	171	190	209	218	233	251
2*	Impeller 2P	KL04ABF	KL04ABG	KL04ABH	KL04ABK	KL04ABL	KL04ABM	KL04ABN	KL04ABP	KL04ABQ	KL04ABR
	Impeller 4P						KL04ABM	KL04ABN	KL04ABP	KL04ABQ	KL04ABR

7*	Material ->	<b>VBPGG</b>	<b>VBEGG</b>	<b>VCEGG</b>	<b>VBVGG</b>	<b>Q1Q1VGG</b>	Seal D22, 2P->250/110	
	Mech Seal D22 kit	KL01AAN	KL01AAS	KL01ABW	KL01AB2	KL01AB5	Seal D22, 4P->250/15	
	Material ->	<b>VBPGG</b>	<b>VBEGG</b>	<b>VCEGG</b>	<b>VBVGG</b>	<b>Q1Q1VGG</b>	Seal D: 28, 2P - 250/150	
	Mech Seal D28 kit	KL01AAR	KL01AAV	KL01ABX	KL01AB3	KL01AB6	Seal D: 28, 4P->250/22	STD -> Seal VBPGG - OR NBR
8*	OR Kit NBR	KL02AAG	<b>All Versions incl. 3 Dia - OR</b>					
	OR Kit EPDM	KL02AAH	<b>All Versions incl. 3 Dia - OR</b>					
	OR Kit FPM	KL02AAK	<b>All Versions incl. 3 Dia - OR</b>					
10	Imp. lock kit M12	KL39AAA	<b>2P-&gt;250/110</b>		<b>4P-&gt;250/15</b>			
	Imp. lock kit M16	KL39AAB	<b>2P, 250/150</b>		<b>4P, 250/22</b>			
13	Coupling D:18	KL10AAH	<b>2P-&gt;125/11</b>		<b>4P-&gt;200/07</b>			
		KL10AAK	<b>2P-&gt;125/22</b>		<b>4P-&gt;250/15</b>			
		KL10AAL	<b>2P-&gt;160/40</b>					
		KL10AAM	<b>2P-&gt;200/75</b>					
		KL10AAN	<b>2P-&gt;250/110</b>					
	Coupling D:24	KL10AAQ			<b>4P, 250/22</b>			
		KL10AAS	<b>2P, 250/150</b>					

### Single Unit

1	Pump body	151350580	151350580	151350580	151350600	151350600	151350620	151350620	151350640	151350640	151350650
3	Seal-housing disc	160150200	160150200	160150200	150150040	150150040	150150050	150150050	150150070	150150070	150150090
	Adaptor 2P	161430511	161430511	161430511	161430521	161430521	161453141	161453141	161453141	161453141	161453141
4	Adaptor 4P						161453151	161453151	161452881	161452881	161452881
5	Wear ring	168601500	168601500	168601500	168601500	168601500	168601500	168601500	168601511	168601511	168601511
6	Back wear ring					465020201	465020201	465020201			
9**	Motor 3~, 2P	107230340	107230360	107230380	107106257	107106307	107106337	107106347	107106412	107106412	107106422
	Size	71	80	80	90	100	112	112	160	160	160
	Motor 3~, 4P						107230800	107106611	107106621	107106621	107106651
	Size						80	90	90	90	100
12	Mot/connector 2P	167350110	167350110	167350110	167350120	167350120	167350130	167350130	167350140	167350140	167350140
	Mot/connector 4P						167350150	167350150	167350150	167350150	167350160
	Fill-Drain plug	168420090	All Versions, N.2								

Seal housing disc - disc + back wear ring

\* Recommended spare parts - Parti di ricambio consigliate

\* Pièces détachées conseillées - Empfohlene Ersatzteile

\*\* Motor spare parts: see motor lists - Parti di ricambio motore: vedi liste motore

\*\* Pièces détachées Moteur : voir listes moteur - Motor-Ersatzteile: gem. Motorlisten

## FHS 50 - FHS4 50

	50-125/22	50-125/30	50-125/40	50-160/55	50-160/75	50-200/110A	50-200/110	50-250/150	50-250/185	50-250/220
ELP 3 ~, 2P	107450900	102220910	102220920	102220930	102220940	102220950	102220960	102220970	102220980	102220990
kw ->	2,2	3	4	5,5	7,5	11	11	15	18,5	22
ELP 3 ~, 4P				50-160/07	50-160/11	50-200/11	50-200/15	50-250/22A	50-250/22	50-250/30
kw ->				107450940	102225940	102225950	102225960	102225970	102225980	102225990
				0,75	1,1	1,1	1,5	2,2	2,2	3

Kit	Dia - Ø	119	130	139	158	174	197	209	224	237	250
2*	Impeller 2P	KL04ABS	KL04ABT	KL04ABU	KL04ABV	KL04ABW	KL04ABX	KL04ABY	KL04ABZ	KL04AB0	KL04AB1
	Impeller 4P				KL04ABV	KL04ABW	KL04ABX	KL04ABY	KL04ABZ	KL04AB0	KL04AB1

7*	Material ->	<b>VBPGG</b>	<b>VBEGG</b>	<b>VCEGG</b>	<b>VBVGG</b>	<b>Q1Q1VGG</b>	Seal D22, 2P->200/110				
	Mech Seal D22 kit	KL01AAN	KL01AAS	KL01ABW	KL01AB2	KL01AB5	Seal D22, 4P->200/15				
	Material ->	<b>VBPGG</b>	<b>VBEGG</b>	<b>VCEGG</b>	<b>VBVGG</b>	<b>Q1Q1VGG</b>	Seal D: 28, 2P - 250/220				
	Mech Seal D28 kit	KL01AAR	KL01AAV	KL01ABX	KL01AB3	KL01AB6	Seal D: 28, 4P->250/30	STD -> Seal VBPGG - OR NBR			
8*	OR Kit NBR	KL02AAG	All Versions incl. 3 Dia - OR .								
	OR Kit EPDM	KL02AAH	All Versions incl. 3 Dia - OR .								
	OR Kit FPM	KL02AAK	All Versions incl. 3 Dia - OR .								
10	Imp. lock kit M12	KL39AAA	2P->200/110		4P->200/15						
	Imp. lock kit M18	KL39AAB	2P, 250		4P, 250						
13	Coupling D:18	KL10AAH			4P->125/07						
		KL10AAK	2P, 125/22		4P->200/15						
		KL10AAL	2P->125/40								
		KL10AAM	2P->160/75								
		KL10AAN	2P->200/110								
	Coupling D:24	KL10AAQ			4P->250/30						
		KL10AAS	2P->250/185								
		KL10AAT	2P,250/220								

### Single Unit

1	Pump body	151350660	151350660	151350660	151350680	151350680	151350710	151350710	151350730	151350730	151350730
					151350680	151350680	151350700	151350700	151350720	151350720	151350720
3	Seal-housing disc	160150200	160150200	160150200	150150050	150150050	150150050	150150050	150150090	150150090	150150090
					150150050	150150050	150150050	150150050	150150090	150150090	150150090
4	Adaptor	161430511	161430521	161430521	161453151	161453151	161453151	161453151	161452881	161452881	161452881
							161453151	161453151	161452841	161452841	161452841
5	Wear ring	168601511	168601511	168601511	168601511	168601511	168601511	168601511	168601511	168601511	168601511
					168601511	168601511	168601511	168601511	168601511	168601511	168601511
6	Back wear ring					465020201	465020201	465020201			
						465020201	465020201	465020201			
9**	Motor 3~, 2P	107230380	107106257	107106307	107106337	107106347	107106412	107106412	107106422	107106432	107106448
		Size	80	90	100	112	112	160	160	160	160
	Motor 3~, 4P				107230800	107106611	107106611	107106621	107106651	107106651	107106661
		Size				80	90	90	90	100	100
12	Mot/connector 2P	167350110	167350120	167350120	167350130	167350130	167350140	167350140	167350140	167350140	167350140
	Mot/connector 4P						167350150	167350150	167350160	167350160	167350160
	Fill-Drain plug	168420090	All Versions, N.2								

Seal housing disc - disc + back wear ring

- \* Recommended spare parts - Parti di ricambio consigliate
- \* Pièces détachées conseillées - Empfohlene Ersatzteile
- \*\* Motor spare parts: see motor lists - Parti di ricambio motore: vedi liste motore
- \*\* Pièces détachées Moteur : voir listes moteur - Motor-Ersatzteile: gem. Motorlisten

## FHS 65 - FHS4 65

	65-125/40	65-125/55	65-125/75	65-160/110A	65-160/110	65-160/150	65-200/150	65-200/185	65-200/220	65-250/220
ELP 3 ~, 2P	102221020	102221030	102221040	102221060	102221070	102221080	102221090	102221100	102221110	102221120
kW ->	4.0	5.5	7.5	11	11	15	15	18.5	22	22
	<b>65-250/300</b>	<b>65-250/370</b>								
kW ->	102221130	102221140								
	30	37								

	65-125/05	65-125/07	65-125/11	65-160/11	65-160/15	65-160/22	65-200/15	65-200/22	65-200/30	65-250/30
ELP 3 ~, 4P	107450960	107450970	102226040	102226060	102226070	102226080	102226090	102226100	102226110	102226120
kW ->	0.55	0.75	1.1	1.1	1.5	2.2	1.5	2.2	3.0	3.0
	<b>65-250/40</b>	<b>65-250/55</b>								
kW ->	102226130	102226140								
	4.0	5.5								

Kit		121	129	140	161	168	178	187	198	210	220
	Dia - Ø	241	258								
2*	Impeller 2P	KL04AB2	KL04AB3	KL04AB4	KL04AB5	KL04AB6	KL04AB7	KL04AB8	KL04AB9	KL04ACA	KL04ACB
		KL04ALA	KL04ALB								
	Impeller 4P	KL04AB2	KL04AB3	KL04AB4	KL04AB5	KL04AB6	KL04AB7	KL04AB8	KL04AB9	KL04ACA	KL04ACB
		KL04ALA	KL04ALB								

7*	Material ->	<b>VBPGG</b>	<b>VBEGG</b>	<b>VCEGG</b>	<b>VBVGG</b>	<b>Q1Q1VGG</b>	Seal D22, 2P->160/110A				
	Mech Seal D22 kit	KL01AAN	KL01AAS	KL01ABW	KL01ABZ	KL01AB5	Seal D22, 4P->160/15				
	Material ->	<b>VBPGG</b>	<b>VBEGG</b>	<b>VCEGG</b>	<b>VBVGG</b>	<b>Q1Q1VGG</b>	Seal D: 28, 2P - 250/370				
	Mech Seal D28 kit	KL01AAR	KL01AAV	KL01ABX	KL01AB3	KL01AB6	Seal D: 28, 4P->250/55	STD -> Seal VBPGG - OR NBR			
8*	OR NBR Kit	KL02AAG	All Versions incl. 3 Dia - OR								
	OR EPDM Kit	KL02AAH	All Versions incl. 3 Dia - OR								
10	OR FPM Kit	KL02AAK	All Versions incl. 3 Dia - OR								
	Imp.lock kit M12	KL39AAA	2P->160/110A; 4P->160/15								
	Imp.lock kit M16	KL39AAB	2P->250/370; 4P->250/55								
13	Coupling D18	KL10AAH			4P->125/07						
		KL10AAK			4P->160/11						
		KL10AAL	2P, 125/40								
		KL10AAM	2P->125/75								
		KL10AAN	2P->160/110A								
	Coupling D24	KL10AAP			4P->160-200/15						
		KL10AAQ			4P->250/40						
		KL10AAR			4P, 250/55						
		KL10AAS	2P->200/185								
		KL10AAT	2P->250/220								
	KL10AAU	2P->250/370									

### Single Unit, 2P

1	Pump body	151350740	151350740	151350740	151350770	151350770	151350770	151350790	151350790	151350790	151350810
		151350810	151350810								
3	Seal-housing disc	160150220	160150220	160150220	150150070	150150080	150150080	150150080	150150080	150150080	150150080
		150150080	150150080								
4	Adaptor, 2P	161453141	161452881	161452881	161452881	161452881	161452881	161452881	161452881	161452881	161452881
		161452850	161452850								
5	Wear ring	168601521	168601521	168601521	168601580	168601580	168601580	168601580	168601580	168601580	168601580
		168601580	168601580								
6	Back wear ring						168601270	168601270	168601270	168601270	168601270
		168601270	168601270								
9**	Motor 3~, 2P	107106307	107106337	107106347	107106412	107106412	107106422	107106422	107106432	107106448	107106448
		130643701	130643711								
	Size	100	112	112	160	160	160	160	160	160	160
12	Mot/Connector	167350160	167350130	167350140	167350140	167350140	167350140	167350140	167350140	167350140	167350140
		167350140	167350140								

### Single Unit, 4P

1	Pump body	151350740	151350740	151350740	151350760	151350760	151350760	151350780	151350780	151350780	151350800
		151350800	151350800								
3	Seal-housing disc	160150220	160150220	160150220	150150070	150150070	150150080	150150080	150150080	150150080	150150080
		150150080	150150080								
4	Adaptor, 4P	161453151	161453151	161453151	161452881	161452881	161452881	161452881	161452881	161452881	161452881
		161452881	161452881								
5	Wear ring	168601521	168601521	168601521	168601580	168601580	168601580	168601580	168601580	168601580	168601580
		168601580	168601580								
6	Back wear ring						168601270	168601270	168601270	168601270	168601270
		168601270	168601270								
9**	Motor 3~, 4P	107230740	107230800	107106611	107106611	107106621	107106651	107106621	107106651	107106661	107106661
		107106681	107106711								
	Size	80	80	90	90	90	100	90	100	100	100
12	Mot/Connector	167350150	167350150	167350150	167350150	167350150	167350160	167350160	167350160	167350160	167350130
		167350130	167350130								
	Fill-Drain plug	168420090	All Versions, N.2								

Seal housing disc - disc + back wear ring

- \* Recommended spare parts - Parti di ricambio consigliate
- \* Pièces détachées conseillées - Empfohlene Ersatzteile
- \*\* Motor spare parts: see motor lists - Parti di ricambio motore: vedi liste motore
- \*\* Pièces détachées Moteur: voir listes moteur - Motor-Ersatzteile: gem. Motorlisten

## FHS 80 - FHS4 80

ELP 3 ~, 2P		80-160/110	80-160/150	80-160/185	80-200/220	80-200/300	80-250/370		80-250/450	80-250/550
		102221170	102221180	102221190	102221220	102221230	102221260		102221270	102221280
	kW ->	11	15	18,5	22	30	37		45	55
ELP 3 ~, 4P		80-160/15		80-160/22	80-200/30	80-200/40		80-250/40	80-250/55	80-250/75
		102226170		102226180	102226200	102226210		102226250	102226260	102226270
	kW ->	1,5		2,2	3,0	4,0		4,0	5,5	7,5

<b>Kit</b>	Dia - Ø	160	226	163	173	189	209	225	225	238	256
2*	Impeller 2P		KL04AK6	KL04AK7	KL04AK1	KL04AK2	KL04AK3	KL04ALC		KL04AK5	KL04ALD
	Impeller 4P	KL04AK0			KL04AK1	KL04AK2	KL04AK3		KL04ALC	KL04AK5	KL04ALD

7*	Material ->	<b>VBPGG</b>	<b>VBEGG</b>	<b>VCEGG</b>	<b>VBVGG</b>	<b>Q1Q1VGG</b>	Seal D28, 2P->250/370	STD -> Seal VBPGG - OR NBR
	Mech Seal D28 kit	KL01AAR	KL01AAV	KL01ABX	KL01AB3	KL01AB6	Seal D28, 4P->250/40	
	Material ->	<b>VBPGG</b>	<b>VBEGG</b>	<b>VCEGG</b>	<b>VBVGG</b>	<b>Q1Q1VGG</b>	Seal D: 33, 2P -> 250/550	
	Mech Seal D33 kit	KL01ABU	KL01ABV	KL01AB1	KL01AB4	KL01AB7	Seal D: 33, 4P->250/75	
8*	OR Kit NBR	KL02AAG	Incl. 3 Dia - OR					
	OR Kit EPDM	KL02AAH	Incl. 3 Dia - OR					
	OR Kit FPM	KL02AAK	Incl. 3 Dia - OR					
10	Imp. lock kit M16	KL39AAB	2P->250/370		4P->250/40			
	Imp. lock kit M20	KL39AAC	2P->250/550		4P->250/75			
13	Coupling D: 24	KL10AAP			4P->160,15			
		KL10AAQ			4P->250/40			
		KL10AAS	2P->160/185					
	KL10AAT	2P, 200/220						
	KL10AAU	2P->250/370						
	Coupling D: 29	KL10AAV			4P->250/75			
KL10AAW		2P, 250/450						
KL10AAX		2P, 250/550						

### Single Unit

1	Pump body		151350850	151350850	151350850	151350870	151350870	151350890		151350890	151350890
		151350840			151350840	151350860	151350860		151350880	151350880	151350880
3	Seal-housing disc		150150080	150150080	150150080	150150080	150150080	150150080		150150100	150150100
		150150080			150150080	150150080	150150080		150150080	150150100	150150100
4	Adaptor		161452881	161452881	161452881	161452881	161452881	161452850		161452860	161452870
		161452881			161452881	161452881	161452881		161452881	161452881	161452881
5	Wear ring		168601270	168601270	168601270	168601270	168601270	168601270		168601270	168601270
		168601270			168601270	168601270	168601270		168601270	168601270	168601270
6	Back wear ring		168601270	168601270	168601270	168601270	168601270	168601270		168601270	168601270
		168601270			168601270	168601270	168601270		168601270	168601270	168601270
9**	Motor 3~, 2P		107106412	107106422	107106432	107106448	130643701	130643711		130643721	130643731
	Size		160	160	160	160	200	200		225	250
	Motor 3~, 4P	107106621			107106651	107106661	107106681		107106681	107106711	107106721
	Size	90			100	100	112		112	132	132
12	Mot/connector 2P		167350140	167350140	167350140	167350140					
	Mot/connector 4P	167350150			167350160	167350160	167350160		167350160	167350130	167350130
	Fill-Drain plug	168420090	All Versions, N.2								

Seal housing disc - disc + back wear ring

\* Recommended spare parts - Parti di ricambio consigliate

\* Pièces détachées conseillées - Empfohlene Ersatzteile

\*\* Motor spare parts: see motor lists - Parti di ricambio motore: vedi liste motore

\*\* Pièces détachées Moteur : voir listes moteur - Motor-Ersatzteile: gem. Motorlisten

FHS32-80\_5\_Jan00\_EdE

# xylem