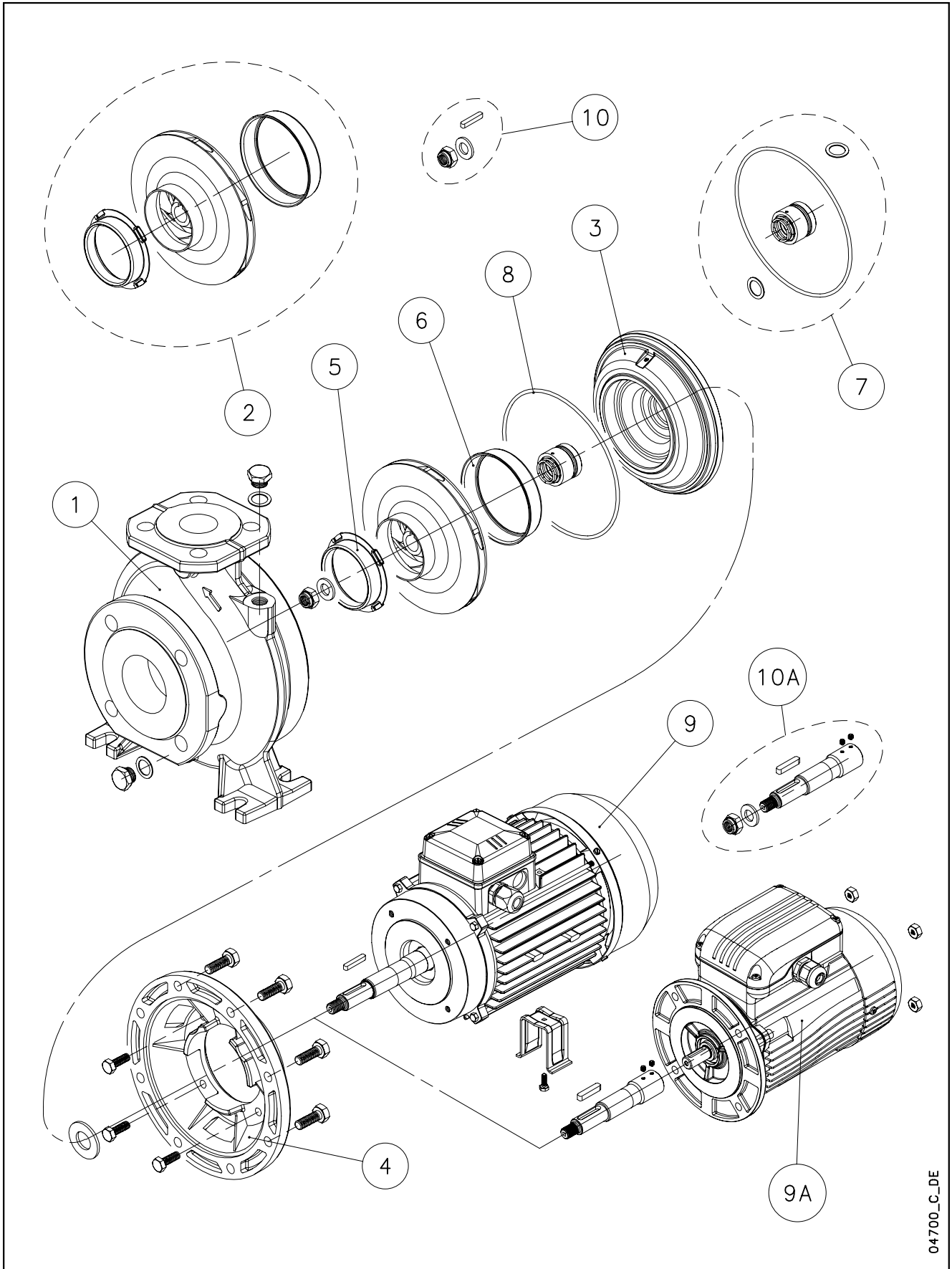


FHE - FHE4 / GFHE - GFHE4



04700_C_DE

Lowara and Vogel Pumpen are a trademark of Xylem Inc. or one of its subsidiaries. Goulds is a registered trademark of Goulds Pumps, Inc. and is used under license.

N.	Descrizione it	Description en	Description fr	Beschreibung de	Descripción es	Descrição pt
1	Corpo pompa completo	Complete pump body	Corps de pompe complete	Kompletter pumpengehäuse	Caja bomba completa	Corpo da bomba complete
2	Girante e anelli di usura	Impeller and wear rings	Roue et anneaux d'usure	Laufrad und Verschleißbringe	Rodete y anillos de desgaste	Impulsor e anéis compensadores de desgaste
3	Disco portatenuta (con anello di usura)	Seal housing disc (with wear ring)	Disque d'étanchéité (avec anneau d'usure)	Dichtungsscheibe (mit Ausgleichsring)	Disco de alojamiento retén (con anillo de desgaste)	Disco porta-vedante (com anel compensador de desgaste)
4	Lanterna	Adaptor	Lanterne	Antriebslaterne	Adaptador	Adaptador
5	Rasamento anteriore	Front wear plate	Bague pour régulation du jeu axial avant	Vordere Ausgleichsscheibe	Espesor delantero	Casquilho anterior
6	Rasamento posteriore	Back wear plate	Bague pour régulation du jeu axial arrière	Hintere Ausgleichsscheibe	Espesor trasero	Casquilho posterior
7	Tenuta meccanica e guarnizione OR	Mechanical seal and O-Ring	Garniture mécanique et joint torique	Gleitringdichtung und O-Ring	Retén mecánico y aro tórico	Vedante mecânico e vedação OR
8	Guarnizione OR	O-Ring	Joint torique	O-Ring	Aro tórico	Vedação OR
9	Motore completo	Complete motor	Moteur complet	Kompletter Motor	Motor completo	Motor complete
9A	Motore completo (solo 4 poli grandezza 71)	Complete motor (4-poles size 71 only)	Moteur complet (uniquement 4 pôles taille 71)	Kompletter Motor (nur 4polig Größe 71)	Motor completo (só 4 polos tamaño 71)	Motor complete (só 4 pólos grandezza 71)
10	Gruppo fissaggio girante (dado, rosetta e linguetta)	Impeller locking group (nut, washer and key)	Groupe de fixation roue (ecrou, rondelle et clavette)	Befestigungsgruppe Laufrads auf (Feststellmutter, Unterlegscheibe und Passfeder)	Grupo de fijación rodete (tuerca, arandela y lengüeta)	Grupo de fixação do impulsor (porca, anilha e lingueta)
10A	Giunto con gruppo fissaggio girante (solo 4 poli grandezza 71)	Coupling with impeller locking group (4-poles size 71 only)	Manchon avec groupe de fixation roue (uniquement 4 pôles taille 71)	Kupplung mit Befestigungsgruppe Laufrad (nur 4polig Größe 71)	Junta con grupo de fijación rodete (só 4 polos tamaño 71)	Junta com grupo de fixação do impulsor (só 4 pólos grandezza 71)
N.	Beschrijving nl	Περιγραφή el	Açıklama tr	Kuvaus fi	Описание ru	Opis pl
1	Compleet pomphuis	Πλήρες σώμα αντλίας	Komple pompa gövdesi	Täydellinen pumpun runko	Полный корпус насоса	Kompletny korpus pompy
2	Waaier en slijtringen	Πτερύγιο και δακτύλιοι τριβής	Pompa rotoru ve aşınma halkaları	Juoksupyörä ja kulumisrenkaat	Рабочее колесо и изнашиваемые кольца	Wirnik i pierścienie wymienne
3	Dichtingssteunplaat (met slijtring)	Δίσκος μηχανικού στυπιοθλιπτή και δακτύλιος τριβής	Sızdırmazlık diskisi (aşınma halkası ile)	Tiivisteen kannatuslevy (kulumisrenkaalla)	Диск держателя прокладки (с изнашиваемым кольцом)	Tarcza uszczelki (z wymiennym pierścieniem)
4	Lantaarnstuk	Μπρακέτο	Adaptör	Sovitin	Адаптер	Lampa
5	Voorste schraapring	Πρόσθετος δακτύλιος τριβής	Ön ara halkası	Etuvälilevy	Передняя утолщающая прокладка	Wyglądanie przednie
6	Achterste schraapring	Οπίσθιος δακτύλιος τριβής	Arka ara halkası	Takavälilevy	Задняя утолщающая прокладка	Wyglądanie tylne
7	Mechanische asafdichting en O-ringafdichting	Μηχανικός στυπιοθλιπτής και ροδέλες στεγανοποίησης	Mekanik conta ve O-Ring	Mekaaninen tiiviste ja O-rengas	Механическая прокладка и уплотнение OR	Uszczelnienie mechaniczne i uszczelka O-Ring
8	O-ringafdichting	Ροδέλα στεγανοποίησης	O-Ring	O-rengas	Прокладка OR	Uszczelka O-Ring
9	Complete motor	Πλήρης κινητήρας	Komple motor	Täydellinen moottori	Укомплектованный двигатель	Kompletny silnik
9A	Complete motor (alleen 4-polig grootte 71)	Πλήρης κινητήρας (τετραπολικό μόνο μεγέθους 71)	Komple motor (sadece 4 kutuplu; boyu: 71)	Täydellinen moottori (ainoastaan 4 napaa, koko 71)	Укомплектованный двигатель (только 4 полюса величина 71)	Kompletny silnik (tylko 4 bieguny wielkość 71)
10	Waaierbevestigingsblok (moer, ring en spie)	Σετ ασφάλισης περυγίου (παξιμάδι, ροδέλα, σφήνα)	Pompa rotorunu sabitleme takımı (somun, rondela ve kama)	Juoksupyörän kiinnityskokonaisuus (mutteri, välirengas ja kiila)	Узел фиксации рабочего колеса (гайка, шайба и шпонка)	Zespół mocujący wirnika (nakrętka, podkładka i wpust)
10A	Koppeling met waaierbevestigingsblok (alleen 4-polig grootte 71)	Προέκταση άξονα και σετ ασφάλισης περυγίου	Pompa rotorunu sabitleme takımı ile mafsal (sadece 4 kutuplu; boyu: 71)	Liitos juoksupyörän kiinnityskokonaisuudella (ainoastaan 4 napaa, koko 71)	Соединение с узлом фиксации рабочего колеса (только 4 полюса величина 71)	Złącze z zespołem mocującym wirnika (tylko 4 bieguny wielkość 71)

FHEM 32/P - FHE 32/P - FHE4 32/P

	32-125/07	32-125/11	32-160/15	32-160/22P		
ELP 1 ~, 2P	107440510	107440520	107440530	101394540		
	32-125/07	32-125/11	32-160/15	32-160/22	32-200/30/P	32-200/40/P
ELP 3 ~, 2P	107440020	107440030	107440040	107440050	101390060	101390070
kw ->	0,75	1,1	1,5	2,2	3,0	4,0
	32-125/02A	32-125/02	32-160/02	32-160/03	32-200/03	32-200/05
ELP 3 ~, 4P	107440600	107440610	107440620	107440630	107440640	107440650
kw ->	0,25	0,25	0,25	0,37	0,37	0,55

Kit	Dia	119	136	150	164	188	205
2*	Impeller 2P	KL04AA9	KL04ABA	KL04ABB	KL04ABC	KL04ABD	KL04ABE
	Impeller 4P	KL04AA9	KL04ABA	KL04ABB	KL04ABC	KL04ABD	KL04ABE

7*	Material->	VBPGG	VBEGG	VCEGG	VBVGG	Q1Q1VGG	
	Mech. Seal D22 kit	KL01AAN	KL01AAS	KL01ABW	KL01AB2	KL01AB5	STD -> Seal VBPGG - OR NBR
8*	OR NBR Kit	KL02AAG	All Versions incl. 3 Dia - OR .				
	OR EPDM Kit	KL02AAH	All Versions incl. 3 Dia - OR .				
	OR FPM Kit	KL02AAK	All Versions incl. 3 Dia - OR .				
10	Imp. lock kit M12	KL39AAA					
10A	Coupling 4P D:18	KL10AAG	4P -> 200/03				

Single Unit

1	Pump body	151350520	151350520	151350540	151350540	151350560	151350560
3	Seal Housing disc	160150200	160150200	150150040	150150040	150150050	150150050
4	Adaptor 2P	161430511	161430511	161430511	161430511	161453131	161453141
	Adaptor 4P	161430521	161430521	161430521	161430521	161453141	161453131
5	Wear ring	168601491	168601491	168601491	168601491	168601491	168601491
6	Back wear ring					465020201	
9**	Motor 1 ~, 2P	13278H00E	13278H00F	13282H00F	50004HH00		
	Motor 3 ~, 2P	13274R00E	13274R00F	13278R00F	13282R00F	50002RH00	50008VN00
	Motor 3 ~, 4P						13275R00F
9A**	Motor 3 ~, 4P	168601521	168601521	168601521	13262R00L	13262R00L	
	Fill - Drain plug	168420090	All Versions, N. 2				

Seal housing disc - disc + back wear ring

* Recommended spare parts - Parti di ricambio consigliate

* Pièces détachées conseillées - Empfohlene Ersatzteile

** Motor spare parts: see motor lists - Parti di ricambio motore: vedi liste motore

** Pièces détachées Moteur : voir listes moteur - Motor-Ersatzteile: gem. Motorlisten

FHEM 40/P - FHE 40/P - FHE4 40/P

	40-125/11	40-125/15	40-125/22/P	40-160/30/P	40-160/40/P	40-200/55/P	40-200/75/P	40-250/92/P	40-250/110/P	40-250/150/P
ELP 1 ~, 2P, 50	107440550	107440560	101394570							
	40-125/11	40-125/15	40-125/22	40-160/30/P	40-160/40/P	40-200/55/P	40-200/75/P	40-250/92/P	40-250/110/P	40-250/150/P
ELP 3 ~, 2P, 50	107440140	107440150	107440160	101390180	101390190	101390210	101390220	101390230	101390240	101390250
kW ->	1,1	1,5	2,2	3,0	4,0	5,5	7,5	9,2	11,0	15,0
	40-125/02A	40-125/02	40-125/03	40-160/03	40-160/05	40-200/07	40-200/11/P	40-250/11/P	40-250/15/P	40-250/22/P
ELP 3 ~, 4P, 50	107440670	107440680	107440690	107440700	107440710	107440720	101395210	101395230	101395240	101395250
kW ->	0,25	0,25	0,37	0,37	0,55	0,75	1,1	1,1	1,5	2,2

Kit	Dia	112 - 119	126 - 135	143	159	171	190	209	218	233	251
2*	Impeller 2P	KL04ABF	KL04ABG	KL04ABH	KL04ABK	KL04ABL	KL04ABM	KL04ABN	KL04ABP	KL04ABQ	KL04ABR
	Impeller 4P	KL04AK9	KL04AK8	KL04ABH	KL04ABK	KL04ABL	KL04ABM	KL04ABN	KL04ABP	KL04ABQ	KL04ABR

7*	Material -->	VBPGG	VBEGG	VCEGG	VBVGG	Q1Q1VGG	Seal D22, 2P->250/110				
	Mech. Seal D22 Kit	KL01AAN	KL01AAS	KL01ABW	KL01AB2	KL01AB5	Seal D22, 4P->250/15				
	Material -->	VBPGG	VBEGG	VCEGG	VBVGG	Q1Q1VGG	Seal D: 28, 2P - 250/150				
	Mech. Seal D28 Kit	KL01AAR	KL01AAV	KL01ABX	KL01AB3	KL01AB6	Seal D: 28, 4P->250/22	STD -> Seal VBPGG - OR NBR			
8*	OR NBR Kit	KL02AAG	Incl. 3 Dia - OR .								
	OR EPDM Kit	KL02AAH	Incl. 3 Dia - OR .								
	OR FPM Kit	KL02AAK	Incl. 3 Dia - OR .								
10	Imp.lock kit M12	KL39AAA	2P->250/110; 4P->250/15								
	Imp.lock kit M16	KL39AAB	2P: 250/150; 4P: 250/22								
10A	Coupling 4P D:18	KL10AAG	4P ->160/03								

Single Unit

1	Pump body 2P	151350580	151350580	151350580	151350600	151350600	151350620	151350620	151350640	151350640	151350650
	Pump body 4P	151350580	151350580	151350580	151350600	151350600	151350620	151350620	151350640	151350640	151350640
3	Seal-housing disc	160150200	160150200	160150200	150150040	150150040	150150050	150150050	150150070	150150070	150150090
4	Adaptor 2P	161430511	161430511	161430511	161430511	161430521	161453141	161453151	161452881	161452881	161452841
	Adaptor 4P	161430521	161430521	161430521	161430521	161430511	161453151	161453151	161452881	161452881	161452841
5	Wear ring	168601500	168601500	168601500	168601500	168601500	168601500	168601500	168601511	168601511	168601511
6	Back wear ring	168601521	168601521	168601521	465020201	465020201	465020201	465020201			
9**	Motor 1 ~, 2P	13278H00F	13282H00F	50004HH00							
	Motor 3 ~, 2P	13274R00F	13278R00F	13282R00F	50002RH00	50008VN00	50013VH00	50017VH00	50018VH00	50019VH00	50024VR00
9A**	Motor 3 ~, 4P					13275R00F	13279R00J	50005RS00	50005RS00	50006RS00	50010RT00
	Fill - Drain plug	168420090	All Versions, N. 2								

Seal housing disc - disc + back wear ring

* Recommended spare parts - Parti di ricambio consigliate

* Pièces détachées conseillées - Empfohlene Ersatzteile

** Motor spare parts: see motor lists - Parti di ricambio motore: vedi liste motore

** Pièces détachées Moteur : voir listes moteur - Motor-Ersatzteile: gem. Motorlisten

FHE32-80_5_P_Feb08_EdD

FHEM 50/P - 50/P - FHE4 50/P

ELP 1 ~, 2P	50-125/22/P									
	101394580									
ELP 3 ~, 2P	50-125/22	50-125/30/P	50-125/40/P	50-160/55/P	50-160/75/P	50-200/92/P	50-200/110/P	50-250/150/P	50-250/185/P	50-250/220/P
	107440280	101390290	101390300	101390310	101390320	101390330	101390340	101390350	101390360	101390370
kW->	2,2	3,0	4,0	5,5	7,5	9,2	11,0	15,0	18,5	22,0
ELP3~, 4P	50-125/03A	50-125/03	50-125/05	50-160/07	50-160/11/P	50-200/11/P	50-200/15/P	50-250/22A/P	50-250/22/P	50-250/30/P
	107440740	107440750	107440760	107440770	101395320	101395330	101395340	101395350	101395360	101395370
kW->	0,37	0,37	0,55	0,75	1,1	1,1	1,5	2,2	2,2	3,0

Kit	Dia	119	130	139	158	174	197	209	224	237	250
2*	Impeller 2P	KL04ABS	KL04ABT	KL04ABU	KL04ABV	KL04ABW	KL04ABX	KL04ABY	KL04ABZ	KL04AB0	KL04AB1
2*	Impeller 4P	KL04ABS	KL04ABT	KL04ABU	KL04ABV	KL04ABW	KL04ABX	KL04ABY	KL04ABZ	KL04AB0	KL04AB1

7*	Material -->	VBPGG	VBEGG	VCEGG	VBVGG	Q1Q1VGG	Seal D22, 2P->200/110				
	Mech. Seal D22 Kit	KL01AAN	KL01AAS	KL01ABW	KL01AB2	KL01AB5	Seal D22, 4P->200/15				
	Material -->	VBPGG	VBEGG	VCEGG	VBVGG	Q1Q1VGG	Seal D: 28, 2P - 250/220	STD -> Seal VBPGG - OR NBR			
	Mech. Seal D28 Kit	KL01AAR	KL01AAV	KL01ABX	KL01AB3	KL01AB6	Seal D: 28, 4P->250/30				
8*	OR NBR Kit	KL02AAG	All Versions incl. 3 Dia-OR.								
	OR EPDM Kit	KL02AAH	All Versions incl. 3 Dia-OR.								
	OR FPM Kit	KL02AAK	All Versions incl. 3 Dia-OR.								
10	Imp. lock Kit M12	KL39AAA	2P ->200/110; 4P->200/15								
	Imp. lock Kit M16	KL39AAB	2P - 4P: All models 250								
10A	Coupling 4P D: 18	KL10AAG	4P ->125/03								

Single Unit

1	Pump body 2P	151350660	151350660	151350660	151350680	151350680	151350700	151350700	151350730	151350730	151350730
	Pump body 4P	151350660	151350660	151350660	151350680	151350680	151350700	151350700	151350720	151350720	151350720
3	Seal-housing disc	160150200	160150200	160150200	150150050	150150050	150150050	150150050	150150090	150150090	150150090
4	Adaptor 2P	161430511	161430511	161430521	161453141	161453151	161453151	161453151	161452841	161452841	161452841
	Adaptor 4P	161430521	161430521	161430511	161453151	161453151	161453151	161453151	161452841	161452841	161452841
5	Wear ring	168601511	168601511	168601511	168601511	168601511	168601511	168601511	168601511	168601511	168601511
6	Back wear ring	168601521	168601521	168601521		465020201	465020201	465020201			
9**	Motor 1 ~, 2P	50004HH00									
	Motor 3 ~, 2P	13282R00F	50002RH00	50008VN00	50013VH00	50017VH00	50018VH00	50019VH00	50024VR00	50025VR00	50026VR00
	Motor 3 ~, 4P			13275R00F	13279R00J	50005RS00	50005RS00	50006RS00	50010RT00	50010RT00	50011RT00
9A**	Motor 3 ~, 4P	13262R00L	13262R00L								
	Fill - Drain plug	168420090	All Versions, N. 2								

Seal housing disc - disc + back wear ring

* Recommended spare parts - Parti di ricambio consigliate

* Pièces détachées conseillées - Empfohlene Ersatzteile

** Motor spare parts: see motor lists - Parti di ricambio motore: vedi liste motore

** Pièces détachées Moteur : voir listes moteur - Motor-Ersatzteile: gem. Motorlisten

FHE 65/P - FHE4 65/P

ELP. 3~, 2P	65-125/40/P	65-125/55/P	65-125/75/P	65-160/92/P	65-160/110/P	65-160/150/P	65-200/150/P	65-200/185/P	65-200/220/P	65-250/220/P
	101390410	101390420	101390430	101390450	101390460	101390470	101390490	101390500	101390510	101390520
kW ->	4,0	5,5	7,5	9,2	11,0	15,0	15,0	18,5	22,0	22,0
ELP. 3~, 4P	65-125/05	65-125/07	65-125/11/P	65-160/11/P	65-160/15/P	65-160/22/P	65-200/15/P	65-200/22/P	65-200/30/P	65-250/30/P
	107440790	107440800	101395420	101395450	101395460	101395470	101395480	101395490	101395500	101395510
kW ->	0,55	0,75	1,1	1,1	1,5	2,2	1,5	2,2	3,0	3,0
	65-250/40/P	65-250/55/P								
	101395520	101395530								
kW ->	4,0	5,5								

		121	129	140	161	168	178	187 - 180	198	210	220
Kit	Dia	241	258								
2*	Impeller 2P	KL04AB2	KL04AB3	KL04AB4	KL04AB5	KL04AB6	KL04AB7	KL04AB8	KL04AB9	KL04ACA	KL04ACB
	Impeller 4P	KL04AB2	KL04AB3	KL04AB4	KL04AB5	KL04AB6	KL04AB7	KL04ADC	KL04AB9	KL04ACA	KL04ACB
		KL04ALA	KL04ALB								

7*	Material -->	VBPGG	VBEGG	VCEGG	VBVGG	Q1Q1VGG	Seal D22, 2P->160/92				
	Mech. Seal D22 Kit	KL01AAN	KL01AAS	KL01ABW	KL01AB2	KL01AB5	Seal D22, 4P->160/11				
	Material -->	VBPGG	VBEGG	VCEGG	VBVGG	Q1Q1VGG	Seal D: 28, 2P - 250/220				
	Mech. Seal D28 Kit	KL01AAR	KL01AAV	KL01ABX	KL01AB3	KL01AB6	Seal D: 28, 4P->250/55	STD -> Seal VBPGG - OR NBR			
8*	OR NBR Kit	KL02AAG	All Versions incl. 3 Dia - OR .								
	OR EPDM Kit	KL02AAH	All Versions incl. 3 Dia - OR .								
	OR FPM Kit	KL02AAK	All Versions incl. 3 Dia - OR .								
10	Imp.lock kit M12	KL39AAA	2P->160/92; 4P->160/11								
	Imp.lock kit M16	KL39AAB	2P->250/220; 4P->250/55								

Single Unit, 2P

1	Pump body	151350740	151350740	151350740	151350760	151350760	151350770	151350790	151350790	151350790	151350810
3	Seal-housing disc	160150220	160150220	160150220	150150070	150150080	150150080	150150080	150150080	150150080	150150080
4	Adaptor	161453141	161453141	161453151	161452881	161452881	161452841	161452841	161452841	161452841	161452841
5	Wear ring	168601521	168601521	168601521	168601580	168601580	168601580	168601580	168601580	168601580	168601580
6	Back wear ring				465020201	168601270	168601270	168601270	168601270	168601270	168601270
9**	Motor 3 ~, 2 P	50008VN00	50013VH00	50017VH00	50018VH00	50019VP00	50024VR00	50024VR00	50025VR00	50026VR00	50026VR00

Single Unit, 4P

1	Pump body	151350740	151350740	151350740	151350740	151350760	151350760	151350780	151350780	151350780	151350800
		151350800	151350800								
3	Seal-housing	160150220	160150220	160150220	150150070	150150080	150150080	150150080	150150080	150150080	150150080
		150150080	150150080								
4	Adaptor	161453131	161453151	161453151	161452881	161452881	161452841	161452881	161452841	161452841	161452841
		161452841	161452881								
5	Wear ring	168601521	168601521	168601521	168601580	168601580	168601580	168601580	168601580	168601580	168601580
		168601580	168601580								
6	Back wear ring				465020201	168601270	168601270	168601270	168601270	168601270	168601270
		168601270	168601270								
9**	Motor 3 ~, 4P	13275R00F	13279R00J	50005RS00	50005RS00	50006RT00	50010RT00	50006RT00	50010RT00	50011RT00	50011RT00
		50015VT00	50020VP00								
	Fill - Drain plug	168420090	All Versions, N. 2								

Seal housing disc - disc + back wear ring

* Recommended spare parts - Parti di ricambio consigliate

* Pièces détachées conseillées - Empfohlene Ersatzteile

** Motor spare parts: see motor lists - Parti di ricambio motore: vedi liste motore

** Pièces détachées Moteur : voir listes moteur - Motor-Ersatzteile: gem. Motorlisten

FHE32-80_5_P_Feb08_EdD

FHE 80/P - FHE4 80/P

	80-160/110/P	80-160/150/P	80-160/185/P	80-200/220/P				
ELP 3 ~, 2P, 50	101390560	101390570	101390580	101390610				
kW ->	11,0	15,0	18,5	22,0				
		80-160/15/P	80-160/22/P	80-200/30/P	80-200/40/P	80-250/40/P	80-250/55/P	80-250/75/P
ELP 3 ~, 4P, 50		101395560	101395570	101395590	101395600	101395620	101395630	101395640
kW ->		1,5	2,2	3,0	4,0	4,0	5,5	7,5

Kit	Dia	152	163	173	189	207	225	238	256
1*	Impeller, 2P	KL04AK6	KL04AK7	KL04AK1	KL04AK2				
2*	Impeller, 4P		KL04AK0	KL04AK1	KL04AK2	KL04AK3	KL04ALC	KL04AK5	KL04ALD

7*	Material -->	VBPGG	VBEGG	VCEGG	VBVGG	Q1Q1VGG	Seal D28, 2P->200/220	
	Mech. Seal D28 Kit	KL01AAR	KL01AAV	KL01ABX	KL01AB3	KL01AB6	Seal D28, 4P->250/40	
	Material -->	VBPGG	VBEGG	VCEGG	VBVGG	Q1Q1VGG	Seal D: 33, 4P->250/75	STD -> Seal VBPGG - OR NBR
	Mech. Seal D33 Kit	KL01ABU	KL01ABV	KL01AB1	KL01AB4	KL01AB7		
8*	OR NBR Kit	KL02AAG	All Versions incl. 3 Dia - OR .					
	OR EPDM Kit	KL02AAH	All Versions incl. 3 Dia - OR .					
	OR FPM Kit	KL02AAK	All Versions incl. 3 Dia - OR .					
10	Imp. lock Kit M16	KL39AAB	2P; 4P->250/40					
	Imp. lock Kit M20	KL39AAC	4P->250/75					

Single Unit

1	Pump body	151350840	151350850	151350850	151350870				
			151350840	151350840	151350860	151350860	151350880	151350880	151350880
3	Seal-housing disc	150150080	150150080	150150080	150150080				
			150150080	150150080	150150080	150150080	150150080	150150100	150150100
4	Adaptor 2P	161452881	161452841	161452841	161452841				
			161452881	161452841	161452841	161452841	161452841	161452881	161452881
5	Wear ring	168601270	168601270	168601270	168601270				
			168601270	168601270	168601270	168601270	168601270	168601270	168601270
6	Back wear ring	168601270	168601270	168601270	168601270				
			168601270	168601270	168601270	168601270	168601270	168601270	168601270
9**	Motor 3 ~, 2P	50019VP00	50024VR00	50025VR00	50026VR00				
	Motor 3 ~, 4P		50006RT00	50010RT00	50011RT00	50015VT00	50015VT00	50020VJ00	50021VJ00
	Fill - Drain plug	168420090	All Versions, N. 2						

Seal housing disc - disc + back wear ring

* Recommended spare parts - Parti di ricambio consigliate

* Pièces détachées conseillées - Empfohlene Ersatzteile

** Motor spare parts: see motor lists - Parti di ricambio motore: vedi liste motore

** Pièces détachées Moteur : voir listes moteur - Motor-Ersatzteile: gem. Motorlisten

FHE32-80_5_P_Feb08_EdD

FHBE/P, Impeller (Item 2) - Motor (Item 9) Part Number

65	65-160/92/P	65-160 /110/P	65-160/150/P	65-200/150/P	65-200/185/P	65-200/220/P	65-250/220/P			
	101440000	101440010	101440020	101440030	101440040	101440050	101440060			
	9,2 kW	11 kW	15 kW	15 kW	18,5 kW	22 kW	22 kW			
	2->	160720410	160720460	160720470	160720520	160720530	160720540	160720580		
	9->	50018VH00	50019VP00	50024VR00	50024VR00	50025VR00	50026VR00	50026VR00		
		465-160/11/P	465-160/15/P	465-160/22/P	465-200/15/P	465-200/22/P	465-200/30/P	465-250/30/P	465-250/40/P	465-250/55/P
		101442000	101442010	101442020	101442030	101442040	101442050	101442060	101442070	101442080
		1,1 kW	1,5 kW	2,2 kW	1,5 kW	2,2 kW	3,0 kW	3,0 kW	4,0 kW	5,5 kW
	2->	160720410	160720460	160720470	160720510	160720530	160720540	160720580	160720590	160720600
	9->	50005RS00	50006RT00	50010RT00	50006RT00	50010RT00	50011RT00	50011RT00	50015VT00	50020VP00
80	80-160/110/P	80-160/150/P	80-160/185/P	80-200/220/P						
	101440070	101440080	101440090	101440100						
	11 kW	15 kW	18.5 kW	22 kW						
	2->	160720680	160720710	160720720	160720780					
	9->	50019VP00	50024VR00	50025VR00	50026VR00					
		480-160/15/P		480-160/22/P	480-200/30/P	480-200/40/P	480-250/40/P	480-250/55/P	480-250/75/P	
		101442090		101442100	101442110	101442120	101442130	101442140	101442150	
		1,5 kW		2,2 kW	3 kW	4 kW	4 kW	5,5 kW	7,5 kW	
	2->	160720700		160720720	160720780	160720790	160720870	160720900	160720910	
	9->	50006RT00		50010RT00	50011RT00	50015VT00	50015VT00	50020VJ00	50021VJ00	