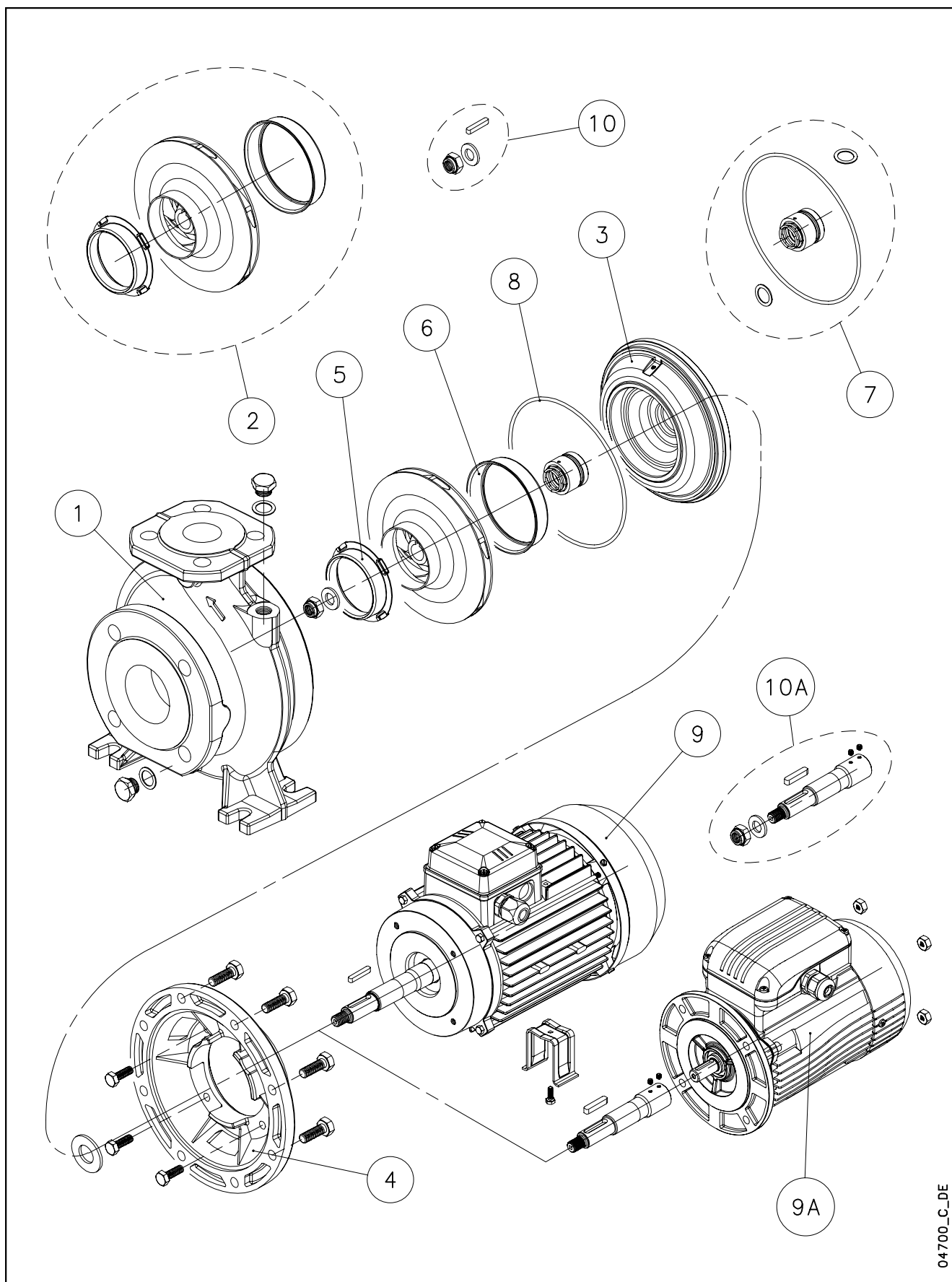


FHE - FHE4 / GFHE - GFHE4



04700_C_DE

Lowara and Vogel Pumpen are a trademark of Xylem Inc. or one of its subsidiaries.
Goulds is a registered trademark of Goulds Pumps, Inc. and is used under license.

N.	Descrizione it	Description en	Description fr	Beschreibung de	Descripción es	Descrição pt
1	Corpo pompa completo	Complete pump body	Corps de pompe complete	Kompletter pumpengehäuse	Caja bomba completa	Corpo da bomba complete
2	Girante e anelli di usura	Impeller and wear rings	Roue et anneaux d'usure	Laufrad und Verschleißbringe	Rodete y anillos de desgaste	Impulsor e anéis compensadores de desgaste
3	Disco portatenuta (con anello di usura)	Seal housing disc (with wear ring)	Disque d'étanchéité (avec anneau d'usure)	Dichtungsscheibe (mit Ausgleichsring)	Disco de alojamiento retén (con anillo de desgaste)	Disco porta-vedante (com anel compensador de desgaste)
4	Lanterna	Adaptor	Lanterne	Antriebslaterne	Adaptador	Adaptador
5	Rasamento anteriore	Front wear plate	Bague pour régulation du jeu axial avant	Vordere Ausgleichsscheibe	Espesor delantero	Casquilho anterior
6	Rasamento posteriore	Back wear plate	Bague pour régulation du jeu axial arrière	Hintere Ausgleichsscheibe	Espesor trasero	Casquilho posterior
7	Tenuta meccanica e guarnizione OR	Mechanical seal and O-Ring	Garniture mécanique et joint torique	Gleitringdichtung und O-Ring	Retén mecánico y aro tórico	Vedante mecânico e vedação OR
8	Guarnizione OR	O-Ring	Joint torique	O-Ring	Aro tórico	Vedação OR
9	Motore completo	Complete motor	Moteur complet	Kompletter Motor	Motor completo	Motor complete
9A	Motore completo (solo 4 poli grandezza 71)	Complete motor (4-poles size 71 only)	Moteur complet (uniquement 4 pôles taille 71)	Kompletter Motor (nur 4polig Größe 71)	Motor completo (só 4 polos tamaño 71)	Motor complete (só 4 pólos grandezza 71)
10	Gruppo fissaggio girante (dado, rosetta e linguetta)	Impeller locking group (nut, washer and key)	Groupe de fixation roue (ecrou, rondelle et clavette)	Befestigungsgruppe Laufrads auf (Feststellmutter, Unterlegscheibe und Passfeder)	Grupo de fijación rodete (tuerca, arandela y lengüeta)	Grupo de fixação do impulsor (porca, anilha e lingueta)
10A	Giunto con gruppo fissaggio girante (solo 4 poli grandezza 71)	Coupling with impeller locking group (4-poles size 71 only)	Manchon avec groupe de fixation roue (uniquement 4 pôles taille 71)	Kupplung mit Befestigungsgruppe Laufrad (nur 4polig Größe 71)	Junta con grupo de fijación rodete (só 4 polos tamaño 71)	Junta com grupo de fixação do impulsor (só 4 pólos grandezza 71)
N.	Beschrijving nl	Περιγραφή el	Açıklama tr	Kuvaus fi	Описание ru	Opis pl
1	Compleet pomphuis	Πλήρες σώμα αντλίας	Komple pompa gövdesi	Täydellinen pumpun runko	Полный корпус насоса	Kompletny korpus pompy
2	Waaier en slijtringen	Πτερύγιο και δακτύλιοι τριβής	Pompa rotoru ve aşınma halkaları	Juoksupyörä ja kulumisrenkaat	Рабочее колесо и изнашиваемые кольца	Wirnik i pierścienie wymienne
3	Dichtingssteunplaat (met slijtring)	Δίσκος μηχανικού στυπιοθλιπτή και δακτύλιος τριβής	Sızdırmazlık diskisi (aşınma halkası ile)	Tiivisteen kannatuslevy (kulumisrenkaalla)	Диск держателя прокладки (с изнашиваемым кольцом)	Tarcza uszczelki (z wymiennym pierścieniem)
4	Lantaarnstuk	Μπρακέτο	Adaptör	Sovitin	Адаптер	Lampa
5	Voorste schraapring	Πρόσθετος δακτύλιος τριβής	Ön ara halkası	Etuväiliev	Передняя утолщающая прокладка	Wygładzanie przednie
6	Achterste schraapring	Οπίσθιος δακτύλιος τριβής	Arka ara halkası	Takaväiliev	Задняя утолщающая прокладка	Wygładzanie tylne
7	Mechanische asafdichting en O-ringafdichting	Μηχανικός στυπιοθλιπτής και ροδέλες στεγανοποίησης	Mekanik conta ve O-Ring	Mekaaninen tiiviste ja O-rengas	Механическая прокладка и уплотнение OR	Uszczelnienie mechaniczne i uszczelka O-Ring
8	O-ringafdichting	Ροδέλα στεγανοποίησης	O-Ring	O-rengas	Прокладка OR	Uszczelka O-Ring
9	Complete motor	Πλήρης κινητήρας	Komple motor	Täydellinen moottori	Укомплектованный двигатель	Kompletny silnik
9A	Complete motor (alleen 4-polig grootte 71)	Πλήρης κινητήρας (τετραπολικό μόνο μεγέθους 71)	Komple motor (sadece 4 kutuplu; boyu: 71)	Täydellinen moottori (ainoastaan 4 napaa, koko 71)	Укомплектованный двигатель (только 4 полюса величина 71)	Kompletny silnik (tylko 4 bieguny wielkość 71)
10	Waaierbevestigingsblok (moer, ring en spie)	Σετ ασφάλισης περυγίου (παξιμάδι, ροδέλα, σφήνα)	Pompa rotorunu sabitleme takımı (somun, rondela ve kama)	Juoksupyörän kiinnityskokonaisuus (mutteri, välirengas ja kiila)	Узел фиксации рабочего колеса (гайка, шайба и шпонка)	Zespół mocujący wirnika (nakrętka, podkładka i wpust)
10A	Koppeling met waaierbevestigingsblok (alleen 4-polig grootte 71)	Προέκταση άξονα και σετ ασφάλισης περυγίου	Pompa rotorunu sabitleme takımı ile mafsal (sadece 4 kutuplu; boyu: 71)	Liitos juoksupyörän kiinnityskokonaisuudella (ainoastaan 4 napaa, koko 71)	Соединение с узлом фиксации рабочего колеса (только 4 полюса величина 71)	Złącze z zespołem mocującym wirnika (tylko 4 bieguny wielkość 71)

FHEM 32 - FHE 32 - FHE4 32

	32-125/07	32-125/11	32-160/15	32-160/22	32-200/30	32-200/40
ELP 1 ~, 2P	107440510	107440520	107440530	102224540		
ELP 3 ~, 2P	107440020	107440030	107440040	107440050	102220060	102220070
kw ->	0,75	1,1	1,5	2,2	3,0	4,0
	32-125/02A	32-125/02	32-160/02	32-160/03	32-200/03	32-200/05
ELP 3 ~, 4P	107440600	107440610	107440620	107440630	107440640	107440650
kw ->	0,25	0,25	0,25	0,37	0,37	0,55

Kit	Dia	119	136	150	164	188	205
2*	Impeller 2P	KL04AA9	KL04ABA	KL04ABB	KL04ABC	KL04ABD	KL04ABE
	Impeller 4P	KL04AA9	KL04ABA	KL04ABB	KL04ABC	KL04ABD	KL04ABE

7*	Material->	VBPGG	VBEGG	VCEGG	VBVGG	Q1Q1VGG	
	Mech. Seal D22 kit	KL01AAN	KL01AA5	KL01ABW	KL01AB2	KL01AB5	STD -> Seal VBPGG - OR NBR
8*	OR NBR Kit	KL02AAG	All Versions incl. 3 Dia - OR .				
	OR EPDM Kit	KL02AAH	All Versions incl. 3 Dia - OR .				
	OR FPM Kit	KL02AAK	All Versions incl. 3 Dia - OR .				
10	Imp. lock kit M12	KL39AAA					
10A	Coupling 4P D:18	KL10AAG	4P -> 200/03				

Single Unit

1	Pump body	151350520	151350520	151350540	151350540	151350560	151350560
3	Seal Housing disc	160150200	160150200	150150040	150150040	150150050	150150050
4	Adaptor 2P	161430511	161430511	161430511	161430511	161453131	161453141
	Adaptor 4P	161430521	161430521	161430521	161430521	161453141	161453131
5	Wear ring	168601491	168601491	168601491	168601491	168601491	168601491
6	Back wear ring					465020201	
9**	Motor 1 ~, 2P	13278H00E	13278H00F	13282H00F	130647082		
	Motor 3 ~, 2P	13274R00E	13274R00F	13278R00F	13282R00F	130647063	130647105
	Motor 3 ~, 4P						13275R00F
9A**	Motor 3 ~, 4P	13258R00L	13258R00L	13258R00L	13262R00L	13262R00L	
	Fill - Drain plug	168420090	All Versions, N. 2				

Seal housing disc - disc + back wear ring

* Recommended spare parts - Parti di ricambio consigliate

* Pièces détachées conseillées - Empfohlene Ersatzteile

** Motor spare parts: see motor lists - Parti di ricambio motore: vedi liste motore

** Pièces détachées Moteur : voir listes moteur - Motor-Ersatzteile: gem. Motorlisten

FHEM 40 - FHE 40 - FHE4 40

	40-125/11	40-125/15	40-125/22	40-160/30	40-160/40	40-200/55	40-200/75	40-250/92	40-250/110	40-250/150
ELP 1 ~, 2P, 50	107440550	107440560	102224570							
ELP 3 ~, 2P, 50	107440140	107440150	107440160	102220180	102220190	102220210	102220220	102220230	102220240	102220250
kW ->	1,1	1,5	2,2	3,0	4,0	5,5	7,5	9,2	11,0	15,0
	40-125/02A	40-125/02	40-125/03	40-160/03	40-160/05	40-200/07	40-200/11	40-250/11	40-250/15	40-250/22
ELP 3 ~, 4P, 50	107440670	107440680	107440690	107440700	107440710	107440720	102225210	102225230	102225240	102225250
kW ->	0,25	0,25	0,37	0,37	0,55	0,75	1,1	1,1	1,5	2,2

Kit	Dia	112 - 119	126 - 135	143	159	171	190	209	218	233	251
2*	Impeller 2P	KL04ABF	KL04ABG	KL04ABH	KL04ABK	KL04ABL	KL04ABM	KL04ABN	KL04ABP	KL04ABQ	KL04ABR
	Impeller 4P	KL04AK9	KL04AK8	KL04ABH	KL04ABK	KL04ABL	KL04ABM	KL04ABN	KL04ABP	KL04ABQ	KL04ABR

7*	Material -->	VBPGG	VBEGG	VCEGG	VBVGG	Q1Q1VGG	Seal D22, 2P->250/110	STD -> Seal VBPGG - OR NBR			
	Mech. Seal D22 Kit	KL01AAN	KL01AAS	KL01ABW	KL01AB2	KL01AB5	Seal D22, 4P->250/15				
	Material -->	VBPGG	VBEGG	VCEGG	VBVGG	Q1Q1VGG	Seal D: 28, 2P - 250/150				
	Mech. Seal D28 Kit	KL01AAR	KL01AAV	KL01ABX	KL01AB3	KL01AB6	Seal D: 28, 4P->250/22				
8*	OR NBR Kit	KL02AAG	Incl. 3 Dia - OR .								
	OR EPDM Kit	KL02AAH	Incl. 3 Dia - OR .								
	OR FPM Kit	KL02AAK	Incl. 3 Dia - OR .								
10	Imp.lock kit M12	KL39AAA	2P->250/110; 4P->250/15								
	Imp.lock kit M16	KL39AAB	2P: 250/150; 4P: 250/22								
10A	Coupling 4P D:18	KL10AAG	4P ->160/03								

Single Unit

1	Pump body 2P	151350580	151350580	151350580	151350600	151350600	151350620	151350620	151350640	151350640	151350650
	Pump body 4P	151350580	151350580	151350580	151350600	151350600	151350620	151350620	151350640	151350640	151350640
3	Seal-housing disc	160150200	160150200	160150200	150150040	150150040	150150050	150150050	150150070	150150070	150150090
4	Adaptor 2P	161430511	161430511	161430511	161430511	161430521	161453141	161453141	161452881	161452881	161452841
	Adaptor 4P	161430521	161430521	161430521	161430521	161430511	161453151	161453151	161452881	161452881	161452841
5	Wear ring	168601500	168601500	168601500	168601500	168601500	168601500	168601500	168601511	168601511	168601511
6	Back wear ring				465020201	465020201	465020201	465020201			
9**	Motor 1 ~, 2P	13278H00F	13282H00F	130647082							
	Motor 3 ~, 2P	13274R00F	13278R00F	13282R00F	130647063	130647105	130647137	130647143	130647253	130647263	130647304
9**	Motor 3 ~, 4P					13275R00F	13279R00J	130647601	130647601	130647610	130647661
9A**	Motor 3 ~, 4P	13258R00L	13258R00L	13262R00L	13262R00L						
	Fill - Drain plug	168420090	All Versions, N. 2								

Seal housing disc - disc + back wear ring

* Recommended spare parts - Parti di ricambio consigliate

* Pièces détachées conseillées - Empfohlene Ersatzteile

** Motor spare parts: see motor lists - Parti di ricambio motore: vedi liste motore

** Pièces détachées Moteur : voir listes moteur - Motor-Ersatzteile: gem. Motorlisten

FHE32-80_5_Jan00_EdF

FHEM 50 - FHE 50 - FHE4 50

	50-125/22	50-125/30	50-125/40	50-160/55	50-160/75	50-200/92	50-200/110	50-250/150	50-250/185	50-250/220
ELP 1 ~, 2P	102224580									
ELP 3 ~, 2P	107440280	102220290	102220300	102220310	102220320	102220330	102220340	102220350	102220360	102220370
	150785100	150785150	150785200	150785300	150785350	150785500	150785550	150785700	150785750	150785800
kW->	2,2	3,0	4,0	5,5	7,5	9,2	11,0	15,0	18,5	22,0
	50-125/03A	50-125/03	50-125/05	50-160/07	50-160/11	50-200/11	50-200/15	50-250/22A	50-250/22	50-250/30
ELP3~, 4P	107440740	107440750	107440760	107440770	102225320	102225330	102225340	102225350	102225360	102225370
kW->	0,37	0,37	0,55	0,75	1,1	1,1	1,5	2,2	2,2	3,0

Kit	Dia	119	130	139	158	174	197	209	224	237	250
2*	Impeller 2P	KL04ABS	KL04ABT	KL04ABU	KL04ABV	KL04ABW	KL04ABX	KL04ABY	KL04ABZ	KL04AB0	KL04AB1
2*	Impeller 4P	KL04ABS	KL04ABT	KL04ABU	KL04ABV	KL04ABW	KL04ABX	KL04ABY	KL04ABZ	KL04AB0	KL04AB1

7*	Material -->	VBPGG	VBEGG	VCEGG	VBVGG	Q1Q1VGG	Seal D22, 2P->200/110				
	Mech. Seal D22 Kit	KL01AAN	KL01AAS	KL01ABW	KL01AB2	KL01AB5	Seal D22, 4P->200/15				
	Material -->	VBPGG	VBEGG	VCEGG	VBVGG	Q1Q1VGG	Seal D: 28, 2P - 250/220				
	Mech. Seal D28 Kit	KL01AAR	KL01AAV	KL01ABX	KL01AB3	KL01AB6	Seal D: 28, 4P->250/30	STD -> Seal VBPGG - OR NBR			
8*	OR NBR Kit	KL02AAG	All Versions incl. 3 Dia-OR.								
	OR EPDM Kit	KL02AAH	All Versions incl. 3 Dia-OR.								
	OR FPM Kit	KL02AAK	All Versions incl. 3 Dia-OR.								
10	Imp. lock Kit M12	KL39AAA	2P ->200/110; 4P->200/15								
	Imp. lock Kit M16	KL39AAB	2P - 4P: All models 250								
10A	Coupling 4P D: 18	KL10AAG	4P ->125/03								

Single Unit

1	Pump body 2P	151350660	151350660	151350660	151350680	151350680	151350700	151350700	151350730	151350730	151350730
	Pump body 4P	151350660	151350660	151350660	151350680	151350680	151350700	151350700	151350720	151350720	151350720
3	Seal-housing disc	160150200	160150200	160150200	150150050	150150050	150150050	150150050	150150090	150150090	150150090
4	Adaptor 2P	161430511	161430511	161430521	161453141	161453141	161453151	161453151	161452841	161452841	161452841
	Adaptor 4P	161430521	161430521	161430511	161453151	161453151	161453151	161453151	161452841	161452841	161452841
5	Wear ring	168601511	168601511	168601511	168601511	168601511	168601511	168601511	168601511	168601511	168601511
6	Back wear ring					465020201	465020201	465020201			
9**	Motor 1 ~, 2P	130647082									
	Motor 3 ~, 2P	13282R00F	130647063	130647105	130647137	130647143	130647253	130647263	130647304	130647314	130647324
	Motor 3 ~, 4P			13275R00F	13279R00J	130647601	130647601	130647610	130647661	130647661	130647671
9A**	Motor 3 ~, 4P	13262R00L	13262R00L								
	Fill - Drain plug	168420090	All Versions, N. 2								

Seal housing disc - disc + back wear ring

* Recommended spare parts - Parti di ricambio consigliate

* Pièces détachées conseillées - Empfohlene Ersatzteile

** Motor spare parts: see motor lists - Parti di ricambio motore: vedi liste motore

** Pièces détachées Moteur : voir listes moteur - Motor-Ersatzteile: gem. Motorlisten

FHE32-80_5_Jan00_Edf

FHE 65 - FHE4 65

ELP. 3~, 2P	65-125/40	65-125/55	65-125/75	65-160/92	65-160/110	65-160/150	65-200/150	65-200/185	65-200/220	65-250/220
	102220410	102220420	102220430	102220450	102220460	102220470	102220490	102220500	102220510	102220520
KW ->	4,0	5,5	7,5	9,2	11,0	15,0	15,0	18,5	22,0	22,0
ELP. 3~, 4P	65-125/05	65-125/07	65-125/11	65-160/11	65-160/15	65-160/22	65-200/15	65-200/22	65-200/30	65-250/30
	107440790	107440800	102225420	102225450	102225460	102225470	102225480	102225490	102225500	102225510
KW ->	0,55	0,75	1,1	1,1	1,5	2,2	1,5	2,2	3,0	3,0
	65-250/40	65-250/55								
	102225520	102225530								
KW ->	4,0	5,5								

Kit	Dia	121	129	140	161	168	178	187 - 180	198	210	220
		241	258								
2*	Impeller 2P	KL04AB2	KL04AB3	KL04AB4	KL04AB5	KL04AB6	KL04AB7	KL04AB8	KL04AB9	KL04ACA	KL04ACB
	Impeller 4P	KL04AB2	KL04AB3	KL04AB4	KL04AB5	KL04AB6	KL04AB7	KL04ADC	KL04AB9	KL04ACA	KL04ACB
		KL04ALA	KL04ALB								

7*	Material -->	VBPGG	VBEGG	VCEGG	VBVGG	Q1Q1VGG	Seal D22, 2P-> 160/92	STD -> Seal VBPGG - OR NBR			
	Mech. Seal D22 Kit	KL01AAN	KL01AAS	KL01ABW	KL01AB2	KL01AB5	Seal D22, 4P-> 160/11				
	Material -->	VBPGG	VBEGG	VCEGG	VBVGG	Q1Q1VGG	Seal D: 28, 2P - 250/220				
	Mech. Seal D28 Kit	KL01AAR	KL01AAV	KL01ABX	KL01AB3	KL01AB6	Seal D: 28, 4P->250/55				
8*	OR NBR Kit	KL02AAG	All Versions incl. 3 Dia - OR .								
	OR EPDM Kit	KL02AAH	All Versions incl. 3 Dia - OR .								
	OR FPM Kit	KL02AAK	All Versions incl. 3 Dia - OR .								
10	Imp.lock kit M12	KL39AAA	2P-> 160/92; 4P-> 160/11								
	Imp.lock kit M16	KL39AAB	2P-> 250/220; 4P-> 250/55								

Single Unit, 2P

1	Pump body	151350740	151350740	151350740	151350760	151350760	151350770	151350790	151350790	151350790	151350810
3	Seal-housing disc	160150220	160150220	160150220	150150070	150150080	150150080	150150080	150150080	150150080	150150080
4	Adaptor	161453141	161453141	161453141	161452881	161452881	161452841	161452841	161452841	161452841	161452841
5	Wear ring	168601521	168601521	168601521	168601580	168601580	168601580	168601580	168601580	168601580	168601580
6	Back wear ring				465020201	168601270	168601270	168601270	168601270	168601270	168601270
9**	Motor 3 ~, 2 P	130647105	130647137	130647143	130647253	130647264	130647304	130647304	130647314	130647324	130647324

Single Unit, 4P

1	Pump body	151350740	151350740	151350740	151350740	151350760	151350760	151350780	151350780	151350780	151350800
		151350800	151350800								
3	Seal-housing	160150220	160150220	160150220	150150070	150150080	150150080	150150080	150150080	150150080	150150080
		150150080	150150080								
4	Adaptor	161453131	161453151	161453151	161452881	161452881	161452841	161452881	161452841	161452841	161452841
		161452841	161452881								
5	Wear ring	168601521	168601521	168601521	168601580	168601580	168601580	168601580	168601580	168601580	168601580
		168601580	168601580								
6	Back wear ring				465020201	168601270	168601270	168601270	168601270	168601270	168601270
		168601270	168601270								
9**	Motor 3 ~, 4P	13275R00F	13279R00J	130647601	130647601	130647611	130647661	130647611	130647661	130647671	130647671
		130647701	130647763								
	Fill - Drain plug	168420090	All Versions, N. 2								

Seal housing disc - disc + back wear ring

* Recommended spare parts - Parti di ricambio consigliate

* Pièces détachées conseillées - Empfohlene Ersatzteile

** Motor spare parts: see motor lists - Parti di ricambio motore: vedi liste motore

** Pièces détachées Moteur : voir listes moteur - Motor-Ersatzteile: gem. Motorlisten

FHE 80 - FHE4 80

	80-160/110	80-160/150	80-160/185	80-200/220				
ELP 3 ~, 2P, 50	102220560	102220570	102220580	102220610				
kW ->	11,0	15,0	18,5	22,0				
		80-160/15	80-160/22	80-200/30	80-200/40	80-250/40	80-250/55	80-250/75
ELP 3 ~, 4P, 50		102225560	102225570	102225590	102225600	102225620	102225630	102225640
kW ->		1,5	2,2	3,0	4,0	4,0	5,5	7,5

Kit	Dia	152	163	173	189	207	225	238	256
1*	Impeller, 2P	KL04AK6	KL04AK7	KL04AK1	KL04AK2				
2*	Impeller, 4P		KL04AK0	KL04AK1	KL04AK2	KL04AK3	KL04ALC	KL04AK5	KL04ALD

7*	Material -->	VBPGG	VBEGG	VCEGG	VBVGG	Q1Q1VGG	Seal D28, 2P->200/220	
	Mech. Seal D28 Kit	KL01AAR	KL01AAV	KL01ABX	KL01AB3	KL01AB6	Seal D28, 4P->250/40	
	Material -->	VBPGG	VBEGG	VCEGG	VBVGG	Q1Q1VGG	Seal D: 33, 4P->250/75	STD -> Seal VBPGG - OR NBR
	Mech. Seal D33 Kit	KL01ABU	KL01ABV	KL01AB1	KL01AB4	KL01AB7		
8*	OR NBR Kit	KL02AAG	All Versions incl. 3 Dia - OR .					
	OR EPDM Kit	KL02AAH	All Versions incl. 3 Dia - OR .					
	OR FPM Kit	KL02AAK	All Versions incl. 3 Dia - OR .					
10	Imp. lock Kit M16	KL39AAB	2P; 4P->250/40					
	Imp. lock Kit M20	KL39AAC	4P->250/75					

Single Unit

1	Pump body	151350840	151350850	151350850	151350870			
			151350840	151350840	151350860	151350860	151350880	151350880
3	Seal-housing disc	150150080	150150080	150150080	150150080			
			150150080	150150080	150150080	150150080	150150080	150150100
4	Adaptor 2P	161452881	161452841	161452841	161452841			
			161452881	161452841	161452841	161452841	161452841	161452881
5	Wear ring	168601270	168601270	168601270	168601270			
			168601270	168601270	168601270	168601270	168601270	168601270
6	Back wear ring	168601270	168601270	168601270	168601270			
			168601270	168601270	168601270	168601270	168601270	168601270
9**	Motor 3 ~, 2P	130647264	130647304	130647314	130647324			
			130647611	130647661	130647671	130647701	130647701	130647773
	Fill - Drain plug	168420090	All Versions, N. 2					

Seal housing disc - disc + back wear ring

* Recommended spare parts - Parti di ricambio consigliate

* Pièces détachées conseillées - Empfohlene Ersatzteile

** Motor spare parts: see motor lists - Parti di ricambio motore: vedi liste motore

** Pièces détachées Moteur : voir listes moteur - Motor-Ersatzteile: gem. Motorlisten

FHBE, Impeller (Item 2) Part Number

65	65-160/92	65-160 /110	65-160/150	65-200/150	65-200/185	65-200/220	65-250/220		
	102400000	102400010	102400020	102400030	102400040	102400050	102400060		
	9,2 kW	11 kW	15 kW	15 kW	18,5 kW	22 kW	22 kW		
2->	160720410	160720460	160720470	160720520	160720530	160720540	160720580		
9->	130647253	130647264	130647304	130647304	130647314	130647324	130647324		
	465-160/11	465-160/15	465-160/22	465-200/15	465-200/22	465-200/30	465-250/30	465-250/40	465-250/55
	102402000	102402010	102402020	102402030	102402040	102402050	102402060	102402070	102402080
	1,1 kW	1,5 kW	2,2 kW	1,5 kW	2,2 kW	3,0 kW	3,0 kW	4,0 kW	5,5 kW
2->	160720410	160720460	160720470	160720510	160720530	160720540	160720580	160720590	160720600
9->	130647601	130647611	130647661	130647611	130647661	130647671	130647671	130647701	130647763
80	80-160/110	80-160/150	80-160/185	80-200/220					
	102400070	102400080	102400090	102400100					
	11 kW	15 kW	18.5 kW	22 kW					
2->	160720680	160720710	160720720	160720780					
9->	130647264	130647304	130647314	130647324					
	480-160/15		480-160/22	480-200/30	480-200/40	480-250/40	480-250/55	480-250/75	
	102402090		102402100	102402110	102402120	102402130	102402140	102402150	
	1,5 kW		2,2 kW	3 kW	4 kW	4 kW	5,5 kW	7,5 kW	
2->	160720700		160720720	160720780	160720790	160720870	160720900	160720910	
9->	130647611		130647661	130647671	130647701	130647701	130647763	130647793	