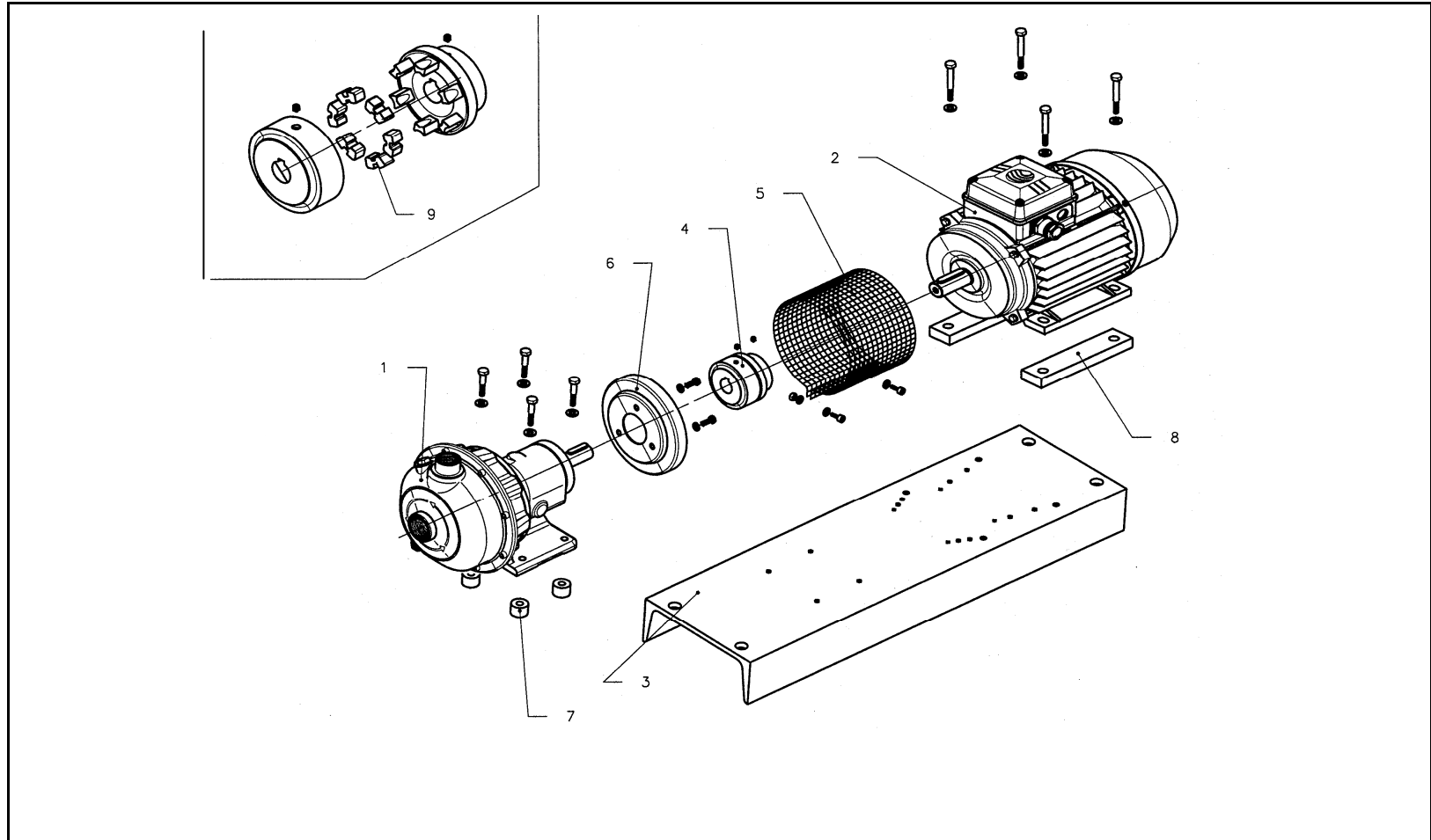


xylem

ELETTROPOMPA Serie COF  
COF Series PUMP WITH ELECTRIC MOTOR



DESCRIZIONE - DESCRIPTION Gruppo elettropompa Pump with motor	CODICE - CODE									
	1 Pompa Pump	2 ** Motore Motor	Grandezza Size	3 Base Baseplate	4 * Giunto Coupling	5 Coprigiunto Coupling guard	6 Disco protez. giunto Coupling guard disk	7 Spessori pmp Pmp Shims	8 Spessori motore Motor Shims	9 * Kit tasselli per giunto Coupling block Kit
<b>COF 350/03/A</b>	107355330	107230420	SM71B3/304	161405770	157650100	164600240	160101230	4-161405790	4-161403170	148994400
<b>COF 350/05/A</b>	107355340	107230440	SM71B3/305	161405770	157650100	164600240	160101230	4-161405790	4-161403170	148994400
<b>COF 350/07/A</b>	107355350	107230460	SM80B3/307	161405110	157650090	164600240	160101230	4-161405790	4-161402720	148994400
<b>COF 350/09/A</b>	107355360	107230480	SM80B3/311	161405110	157650090	164600240	160101230	4-161405790	4-161402720	148994400
<b>COF 350/11/A</b>	107355370	107230480	SM80B3/311	161405110	157650090	164600240	160101230	4-161405790	4-161402720	148994400
<b>COF 350/15</b>	10261 8380	107106230	LM90B3/315	161405120	157650000	164600240	160101230	4-161405790	2-161402340 + 2-161402400	148994400
<b>COF 500/15</b>	10261 8390	107106230	LM90B3/315	161405120	157650000	164600240	160101230	4-161405790	2-161402340 + 2-161402400	148994400
<b>COF 500/22</b>	10261 8400	107106240	LM90B3/322	161405120	157650000	164600240	160101230	4-161405790	2-161402340 + 2-161402400	148994400
<b>COF 500/30</b>	10261 8410	107106290	LM100B3/330	161405140	157650010	164600250	160101230	4-161405790	2-161402360 + 2-161402380	148994410

\* Parti di ricambio consigliate - Recommended spare parts.

