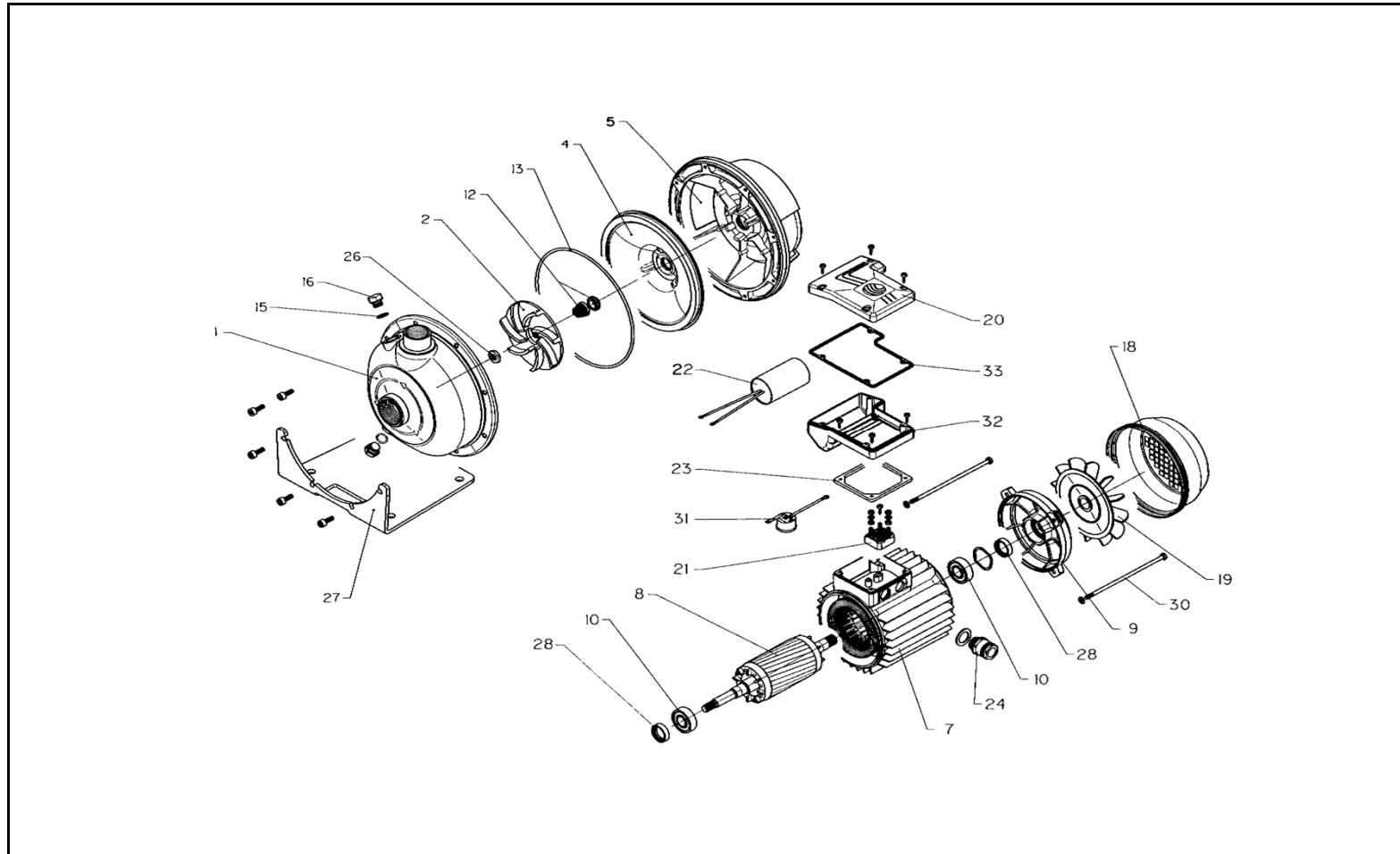


xylem

CO - COM 350 Serie - Series



ITEM N.	DESCRIZIONE	DESCRIPTION	Q.TA' Q.TY	CODICE - CODE													
				CO	CO	CO	CO	CO	CO	COM	COM	COM	COM	COM	COM		
				350/03/A	350/05/A	350/07/A	350/09/A	350/11/A	350/15/A	350/03/A	350/05/A	350/07/A	350/09/A	350/11/A	350/15/A		
				107350090	107350100	107350110	107350120	107350130	107350140	107350000	107350010	107350020	107350030	107350040	107350050		
				0.37 kW	0.55 kW	0.75 kW	0.9 kW	1.1 kW	1.5 kW	0.37 kW	0.55 kW	0.75 kW	0.9 kW	1.1 kW	1.5 kW		
1	Corpo pompa	Pump body	1	151301680													
*2	Girante	Impeller	1	150702480	150702490	150702500	150702510	150702520	150702530	150702480	150702490	150702500	150702510	150702520	150702530		
4	Disco portatenuta	Seal holding disc	1	160102460													
5	Lanterna	Adaptor	1	161430700	161430710			161430720			161430700	161430710			161430720		
7	Cassa mot. c/statore	Motor case w/ stator	1	KR0100300	KR0100700	KR0100900	KR0101100	KR0101200	KR0101400	KR0100200	KR0100600	KR0100800	KR0101000	KR0101300	KR0101500		
8	Albero-rotore-cusc.	Shaft-rotor-bearings	1	155106020	155106070	155106100	155106130	155106203	155106243	155106020	155106071	155106101	155106131	155106241	155106281		
9	Coperchio motore	Motor cover	1														
*10	Cuscinetti	Bearings	2	002312702				002312708				002312702				002312708	
*12	Tenuta meccanica	Mechanical seal	1	002231485													
*13	OR	OR	1	002221638													
*15	OR	OR	2	002221603													
16	Tappo carico/scarico	Fill/Drain plug	2	168400090													
18	Copriventola	Fan cover	1	164260800	164260810			164260820			164260800	164260810			164260820		
19	Ventola	Fan	1	140760150				140760160				140760150				140760160	
20	Cop. scatola mors.	Terminal box cover	1	154060270								154060280					
21	Connettore Plug-in	Plug-in element	1	158160280						158160620	158160660	158160680	158160700	158160500	158160510		
22	Condensatore	Capacitor	1	-						150990420	150990430	150990440	150990450	150990460	150990480		
23	Guarniz. scat. mors.	Terminal box gasket	1														
24	Pressacavo	Cable gland	1														
26	Dado arresto gir.	Imp. fastening nut	1	167000210													
27	Piede di sostegno	Support foot	1	161403630													
*28	Tenuta a labbro SM71	Lip seal SM71	1	002220410													
30	Tirante	Tie rod	4														
31	Motoprotettore	Overload protection	1	-						(1)							
32	Scat. morsett.	Terminal box	1	151360200								151360210					
33	Guarniz. scat. mors.	Terminal box gasket	1														

* Parti di ricambio consigliate - Recommended spare parts
 Versione Speciale FPM - FPM Special Version : CO .. / . K / A (cod.XN) : Tenuta - Seal : 002231493

(1) - Protezione insieme al connettore "Plug-in"
 Protection together to "Plug-in" element