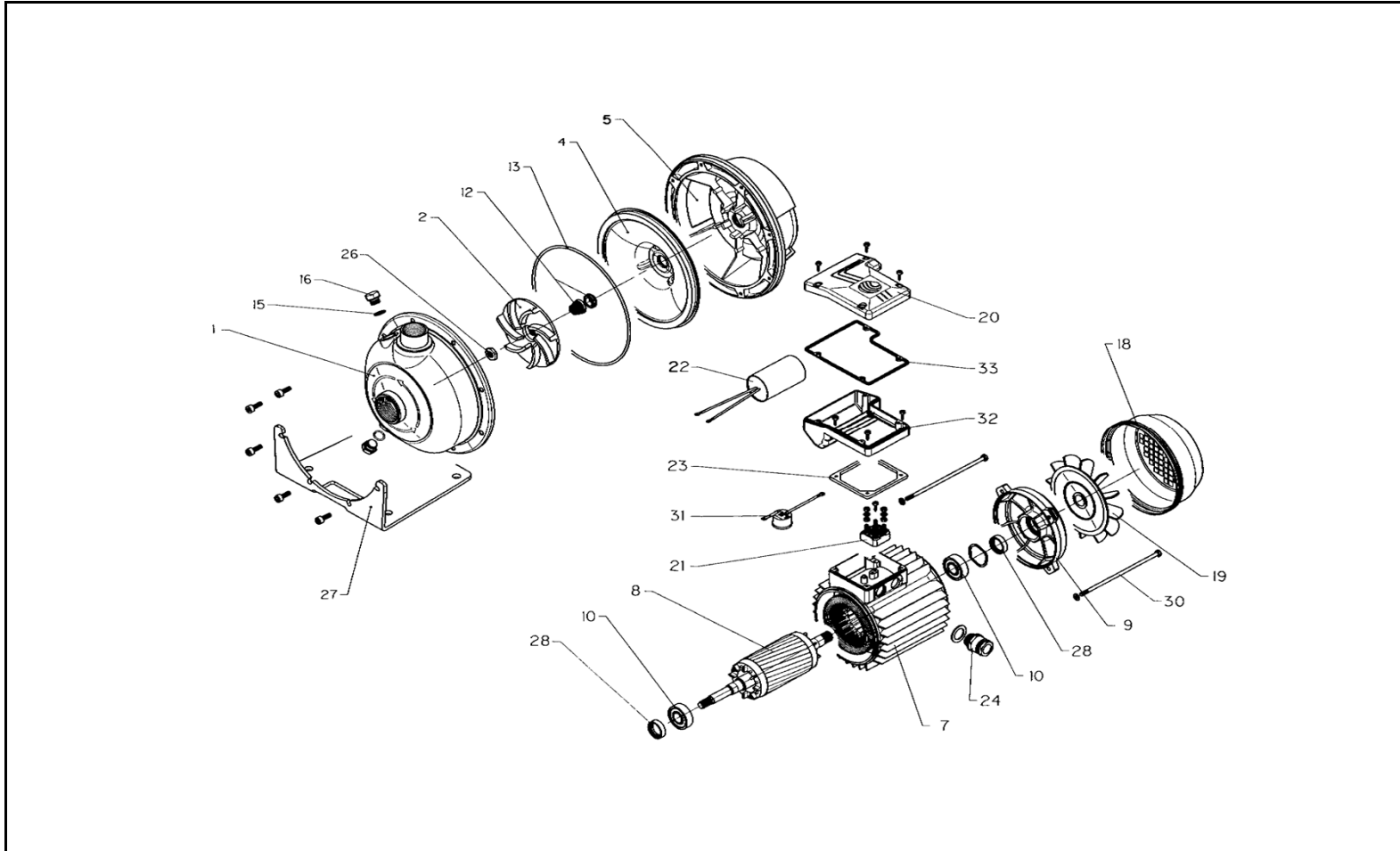


xylem

CO - COM 350 Serie - Series



ITEM N.	DESCRIZIONE	DESCRIPTION	Q.TA' Q.TY	CODICE - CODE														
				CO 350/03/A	CO 350/05/A	CO 350/07/C	CO 350/09/C	CO 350/11/C	CO 350/15/C	COM 350/03/A	COM 350/05/A	COM 350/07/A	COM 350/09/A	COM 350/11/A	COM 350/15/A			
				107350090 0.37 kW	107350100 0.55 kW	104302020 0.75 kW	104302030 1.1 kW	104302040 1.1 kW	104302050 1.5 kW	107350000 0.37 kW	107350010 0.55 kW	107350020 0.75 kW	107350030 0.9 kW	107350040 1.1 kW	107350050 1.5 kW			
				SM		SM IE2				PLM IE2		SM						
1	Corpo pompa	Pump body	1	151301680														
*2	Girante	Impeller	1	150702480	150702490	150702500	150702510	150702520	150702530	150702480	150702490	150702500	150702510	150702520	150702530			
4	Disco portatenuta	Seal holding disc	1	160102460														
5	Lanterna	Adaptor	1	KL21AAA	KL21AAB	KL21AAC			KL21AAA	KL21AAB			KL21AAC					
7	Cassa mot. c/statore	Motor case w/ stator	1	KR0100300	KR0100700	KL25AC5	KL25AC7		5KL25AAA	KR0100200	KR0100600	KR0100800	KR0101000	KR0101300	KR0101500			
8	Albero-rotore-cusc.	Shaft-rotor-bearings	1	KL09AAA	KL09AAB	KL09AAF	KL09AAG		5KL09ACQ	KL09AAA	KL09AAH	KL09AAK	KL09AAL	KL09AAM	KL09AAN			
9	Coperchio motore	Motor cover	1															
*10	Cuscinetti	Bearings	1	KL11AAA			KL11AAC			5KL11AAB	KL11AAA			KL11AAC				
*12	Tenuta meccanica	Mechanical seal	1	002231485														
*13	OR	OR	1	002221638														
*15	OR	OR	2	002221603														
16	Tappi carico + scarico	Fill + Drain plugs	->	168400090						5KL03AAA	168400090							
18	Copriventola	Fan cover	1	KL29AAC	KL29AAD	KL29AAE			5KL29AAA	KL29AAC	KL29AAD			KL29AAE				
19	Ventola	Fan	1	140760150		140760160			540760010	140760150			140760160					
20	Cop. scatola mors.	Terminal box cover	->	Vedi item 32 - Pls see item 32														
21	Connettore Plug-in	Plug-in element	1	158160280						158160620	158160660	158160680	158160700	158160500	158160510			
22	Condensatore	Capacitor	1	-						150990420	150990430	150990440	150990450	150990460	150990480			
23	Guarniz. scat. mors.	Terminal box gasket	1															
24	Pressacavo M20x1,5	Cable gland M20x1,5	1	002858761						572858800	002858761							
26	Dado arresto gir.	Imp. fastening nut	1	167000210														
27	Piede di sostegno	Support foot	1	161403630														
28	Anelli di tenuta	Seal rings	1	KL03ABP						5KL03AAA	KL03ABP							
30	Tirante	Tie rod	1							5KL22AAA								
31	Motoprotettore	Overload protection	1	(2)						(1)								
32	Scat. morsett.	Terminal box	1	KL30AAA						5KL30AAE	KL30AAA			KL30AAB				
33	Guarniz. scat. mors.	Terminal box gasket	1															

\* Parti di ricambio consigliate - Recommended spare parts  
Versione Speciale FPM - FPM Special Version : CO ../. K / A (cod.XN) : Tenuta - Seal : 002231493

(1) - Protezione insieme al connettore "Plug-in"  
Protection together to "Plug-in" element  
(2) Protezione a carico dell' utente  
Protection to be charged of the user