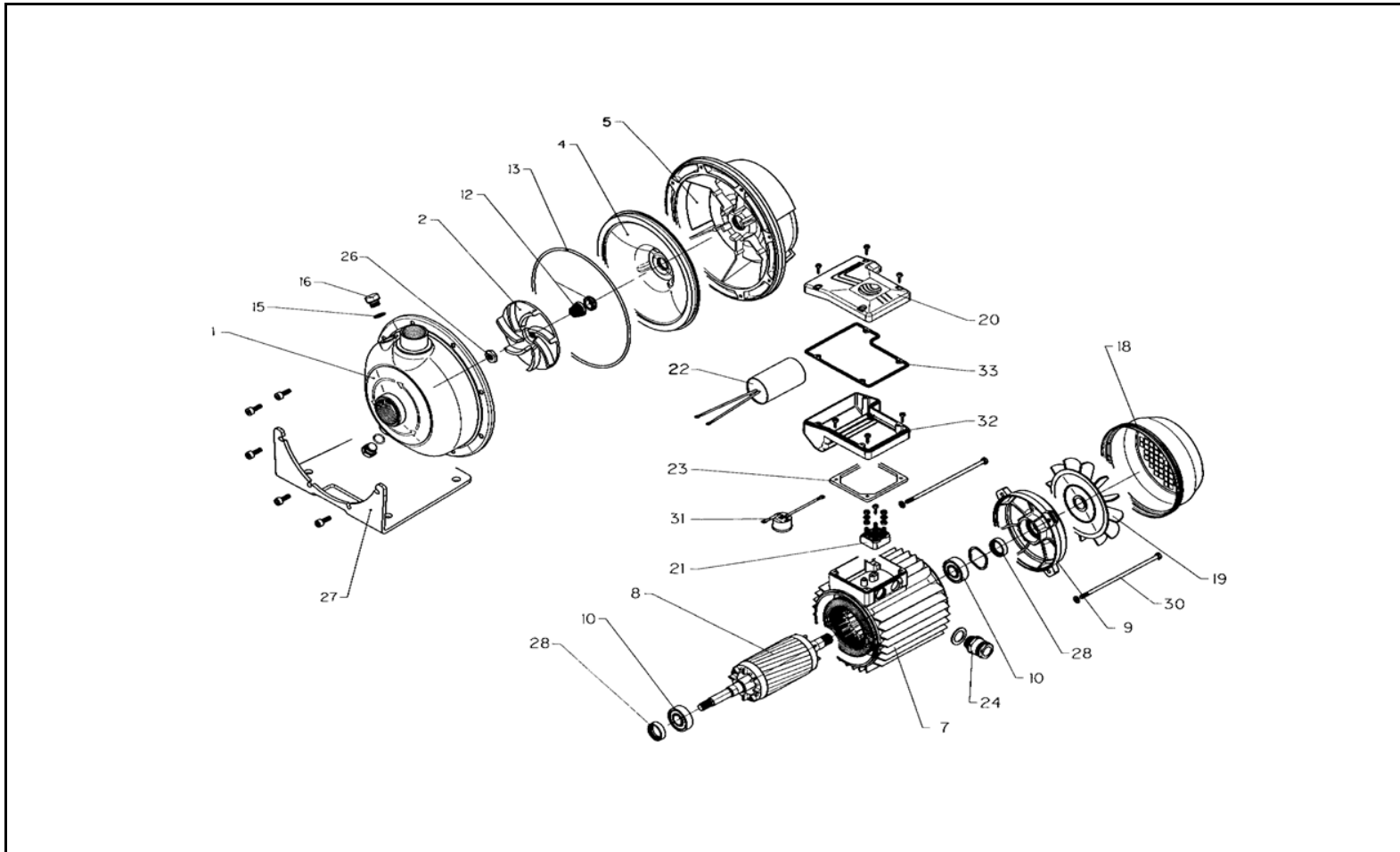


xylem

CO - COM 350 Serie - Series





LISTA PARTI DI RICAMBIO - SPARE PARTS LIST

CO - COM 350 Serie - Series

13300R000 13304R000 13304R000 13308R000

ITEM N.	DESCRIZIONE	DESCRIPTION	Q.TA' Q.TY	CODICE - CODE											
				CO	CO	CO	CO	CO	CO	COM	COM	COM	COM	COM	COM
				350/03/A	350/05/A	350/07/D	350/09/D	350/11/D	350/15/D	350/03/A	350/05/A	350/07/A	350/09/A	350/11/A	350/15/A
				107350090	107350100	104491020	104491030	104491040	104491050	107350000	107350010	107350020	107350030	107350040	107350050
				0.37 kW	0.55 kW	0.75 kW	1.1 kW	1.1 kW	1.5 kW	0.37 kW	0.55 kW	0.75 kW	0.9 kW	1.1 kW	1.5 kW
				CO/A: motor IE1 fitted		CO/A: motor IE3 fitted									
1	Corpo pompa	Pump body	1	151301680											
*2	Girante	Impeller	1	150702480	150702490	150702500	150702510	150702520	150702530	150702480	150702490	150702500	150702510	150702520	150702530
4	Disco portatenuta	Seal holding disc	1	160102460											
5	Lanterna	Adaptor	1	KL21AAA	KL21AAB	KL21AAC			KL21AAA	KL21AAB			KL21AAC		
7	Cassa mot. c/statore	Motor case w/ stator	1	KR0100300	KR0100700	KL25ADD	KL25ADF		KL25ADH	KR0100200	KR0100600	KR0100800	KR0101000	KR0101300	KR0101500
8	Albero-rotore-cusc.	Shaft-rotor-bearings	1	KL09AAA	KL09AAB	KL09ACN	KL09ACP		KL09ACQ	KL09AAA	KL09AAH	KL09AAK	KL09AAL	KL09AAM	KL09AAN
9	Coperchio motore	Motor cover	1												
*10	Cuscinetti	Bearings	1	KL11AAA		KL11AAU			KL11AAA			KL11AAC			
*12	Tenuta meccanica	Mechanical seal	1	002231485											
*13	OR	OR	1	002221638											
*15	OR	OR	2	002221603											
16	Tappi carico + scarico	Fill + Drain plugs	->	168400090											
18	Copriventola	Fan cover	1	KL29AAC	KL29AAD	KL29AAE			KL29AAC	KL29AAD			KL29AAE		
19	Ventola	Fan	1	140760150		140760160			140760150			140760160			
20	Cop. scatola mors.	Terminal box cover	->	Vedi item 32 - Pls see item 32											
21	Connettore Plug-in	Plug-in element	1	158160280					158160620	158160660	158160680	158160700	158160500	158160510	
22	Condensatore	Capacitor	1	-					150990420	150990430	150990440	150990450	150990460	150990480	
23	Guarniz. scat. mors.	Terminal box gasket	1												
24	Pressacavo M20x1,5	Cable gland M20x1,5	1	002858761											
26	Dado arresto gir.	Imp. fastening nut	1	167000210											
27	Piede di sostegno	Support foot	1	161403630											
28	Anelli di tenuta	Seal rings	1	KL03ABP											
30	Tirante	Tie rod	1												
31	Motoprotettore	Overload protection	1	(2)						(1)					
32	Scat. morsett.	Terminal box	1	KL30AAA									KL30AAB		
33	Guarniz. scat. mors.	Terminal box gasket	1												

* Parti di ricambio consigliate - Recommended spare parts
 Versione Speciale FPM - FPM Special Version : CO .. / . K / A (cod.XN) : Tenuta - Seal : 002231493

(1) - Protezione insieme al connettore "Plug-in"
 Protection together to "Plug-in" element
 (2) Protezione a carico dell' utente
 Protection to be charged of the user

