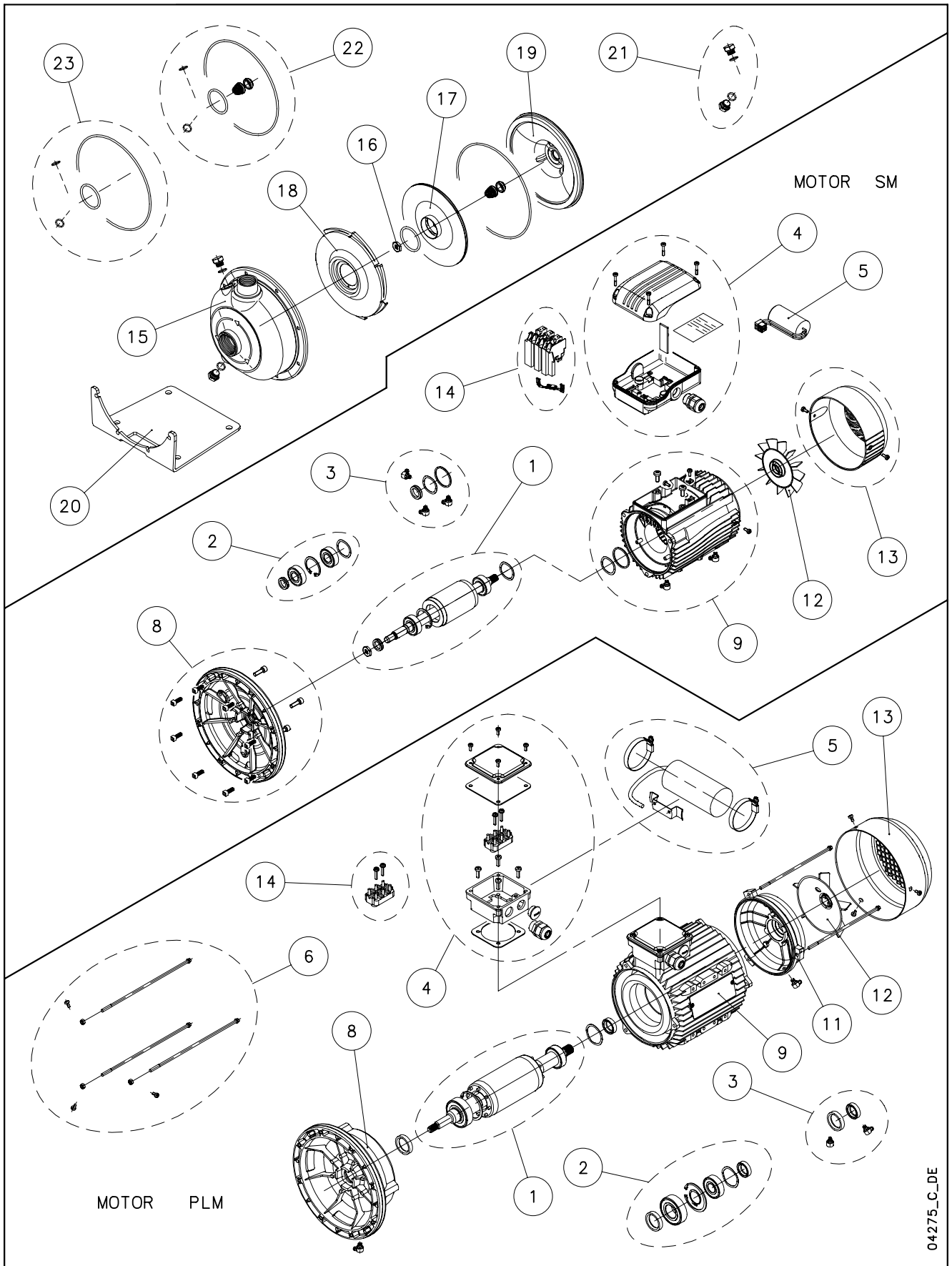


## CIE



04275\_C\_DE

Lowara, Flygt and Vogel Pumpen are a trademark of Xylem Inc. or one of its subsidiaries. Goulds is a registered trademark of Goulds Pumps, Inc. and is used under license.

N.	Descrizione it	Description en	Description fr	Beschreibung de	Descripción es	Descrição pt
1	Albero rotore completo	Shaft rotor complete	Arbre rotor au complet	Rotorwelle Komplete	Eje rotor complete	Rotor completo
2	Cuscinetti - Anelli	Bearings - Rings	Roulements - Anneaux	Lager - Stopfen	Cojinetes - Anillos	Rolamentos - Anéis
3	Anelli tenuta - Tappi	Oil seals - Plugs	Bagues étanchéité-Bouchons	Abdichtungsringen-Schrauben	Anillos estanqueidad- Tapones	Retentores - Bujões
4	Scatola morsettiara	Terminal box	Boite a bornier	Klemmenkasten	Caja de bornes	Caixa de terminais
5	Condensatore	Capacitor	Condensateur	Kondensator	Condensador	Condensador
6	Tiranti PLM90	Tie rods PLM90	Tiges PLM90	Zugstangen PLM90	Tirantes PLM90	Tirantes PLM90
8	Lanterna	Adaptor	Lanterne	Laterne	Adaptador	Adaptador
9	Cassa statore	Stator housing	Carcasse stator	Statorgehäuse	Carcasa estator	Carcaça estator
11	Scudo posteriore NDE	Rear shield NDE	Flasque arriere NDE	Hinteren Schild NDE	Escudo posterior NDE	Proteção posterior NDE
12	Ventola	Fan	Ventilateur	Lüfterrad	Ventilador	Ventilador
13	Copriventola	Fan cover	Couvercle de ventilateur	Lüfterradhaube	Tapa ventilador	Cobertura do ventilador
14	Basetta con perni	Base with pins	Bornier avec fiches	Klemmbrett mit zapfen	Soporte de pernos	Caixa de terminais
14	Morsettiara ( Plug-in )	Terminal block ( Plug in )	Bornier enfichable ( Plug in )	Steck-Klemmkasten ( Plug in )	Place de bornes ( Plug in )	Terminais ( Plug in )
15	Corpo pompa	Pump body	Corps de pompe	Pumpengehäuse	Caja bomba	Voluta bomba
16	Dado girante	Impeller nut or bolt	Roue ecrou	Laufmutter	Rodete tuerca	Parafuso do Impulsor
17	Girante	Impeller	Roue	Laufrad	Rodete	Impulsor
18	Diffusore	Diffuser	Diffuseur	Diffusor	Difusor	Difusor
19	Disco porta tenuta	Seal housing plate	Disque de support garniture	Dichtungsdeckel	Disco de alojamiento sello	Dique alojamento do selo
20	Piede pompa	Pump foot	Piede de pompe	Pumpenstützfuss	Bomba pies	Pé da bomba
21	Tappi + OR	Plugs + ORings	Bouchons + joints torique	Schrauben + OR	Tapones + junta tórica	Bujões + OR
22	Kit tenuta mecc. + OR	Mechanical seal + OR kit	Kit garniture méc. + joints toriques	Gleitringdichtung + O-Ring [Satz]	Kit sello mec. + junta tórica	Kit Empanque mecanico + O-Ring
23	Kit guarnizioni OR	O ring kit	Kit joints toriques	Dichtungssatz	Kit juntas tóricas	Kit guarnições OR
N.	Beschrijving nl	Περιγραφή el	Açıklama tr	Kuvaus fi	Описание ru	Opis pl
1	Rotor as compleet	επάνω και το κάτω μέρος του	Rotor mili	Roottori akseli	ось ротора	Walek kompletny (z rotorem)
2	Lagers - Ringen	Τριβεία- δακτύλιοι	Rulmanlar - Ringes	Laakeri - Rengas	Подшипник - кольцами	Łożyska – pierścienie
3	Zegel ringen - Vulpluggen	πυρελαίου παρεμβύσματα - πώμα	Fok ringes - Tapalar (Fişindedir)	Öljy tiivisteeet - Tulppa	прокладки для нефти - штепсели	Uszczelka olejowa – zatyczki
4	Kabelkast	Πίνακες τερματικών	Terminal Kutu	Liitinkotelon kansi	соединители коробка	Skrzynka zaciskowa
5	Condensator	πυκνωτή	Kondansatör	Kondensaattori	конденсатор	Kondensator
6	Trekstangen PLM90	Ράβδοι σύνδεσμοι PLM90	Çekme çubukları PLM90	Ankkurirauta PLM90	Тяги PLM90	Szpilki gwintowane PLM90
8	Lantaarnstuk	προσαρμογέα	Adaptör	Adaptér	адаптер	Piasta
9	Statorhuis	Έδρα κατοικί	Statör karteri	Staattoni kaapit	Корпус статор	Stator Nadawcza
11	Achtergedeelte Motorhuis NDE	Πίσω πετάσμα NDE	Arka koruma NDE	Laakerikiilpi NDE-pää	назад щит NDE	Tylna tarcza NDE
12	Ventilator	Ανεμιστήρ	Ventilatör	Tuuletin	вентилятор	Wentylator
13	Ventilatorkap	Ανεμιστήρ Ελάσματα κάλυψης	Ventilatör kapağı	Tuuletinkotelo	вентилятор крышка	Oslona wentylatora
14	Klemmenbord	Τερματικές μονάδες	Kaide bacaklar	Liitinalusta	контактная колодка	Podstawa ze sworzeniami
14	Klemmenbord (Plug in)	Τερματικές μονάδες ( Plug in )	Kaide bacaklar Plug in	Liitinalusta Plug in	контактная колодка Plug in	Podstawa ze sworzeniami Plug in
15	Pomphuis	Αντλί πλαίσια επένδυση	Pompa gövdesi	Pumpu kotelo	Корпус насоса	Korpus pompy
16	Bout de waaier	Φτερωτές στροφείο μπουλόνι	Rotorun somun	Juoksupyörän pultit	импеллер орех	Wirnika (nakrętka)
17	Waaier	Φτερωτές στροφείο	Pompa rotorun	Juoksupyörän	импеллер	Wirnik
18	Diffusor	διαχυτήρας	Difüzör	Diffuusioyksikön	диффузор	Dyfuzor
19	Dichtingssteunplaat	Μηχανικό Σφραγιδα πλάκας	Sızdırmazlık elemanı diski	Tiivisteen lautanen	мех. печать пластинка	Tarcza uszczelki
20	Pomp voet	Αντλί ποδιού	Pompa ayak	Pumpu jalka	насос стопы	Pompy silnika
21	Valpluggen + O-ring	πώμα+ OR	Şarj fişi + O-Ring	Tulppa + O-rengassarja	штепсели + OR	Zatyczki (korek) + OR
22	Kit mech. afdichting + O-ring	Μηχανική σφραγιδα Σετ + OR	Mekanik salmastra kiti + O-Ring	Mek. akselitivistee + O-rengassarja	Комплект мех. печать + OR	Zestaw uszczelniający mech. + OR
23	Set O-ringafdichtingen	παρεμβύσματα OR Σετ	O-Ring kiti	O-rengassarja	Комплект прокладок OR	Zestaw uszczelnic OR

## CIEM - CIEM/A

ELP 1 -, 2P CIEM ---->  
220 - 240 50

	70/5	80/5	120/5	210/3/A	210/4
	101830020	101830030	101830050	101830070	101830080
	120/3	210/2/A		370/1/A	370/2/A
	101830040	101830060		101830100	101830110
kW ->	0,55	0,75	0,95	1,1	1,5
	SM				

KIT

### Pump

16-17*	Impeller + nut		KL04AFW	KL04AFX	KL04AFZ	KL04AHC	KL04AHD
			KL04AFY	KL04AHB		KL04AHF	KL04AHG
22*	Mech Seal	Material-->	Q6Q6EGF	VCEGG	Q6Q6VGF	D.14	
			KL01AEM	KL01ADX	KL01AEN		
	Mech Seal	Material-->	U3Q1VGG	U3Q1TGG	U3Q1PGG		
			KL01ADV	KL01AEQ	KL01AEP		
23*	OR EPDM Kit	KL02ABP					
	OR FPM Kit	KL02ABQ					
	OR FTFE Kit	KL02ABR					
	OR NBR Kit	KL02ABN					
21	Fill-Drain plug EPDM	KL34AAP					
	Fill-Drain plug FPM	KL34AAQ					
	Fill-Drain plug PTFE	KL34AAR					
	Fill-Drain plug NBR	KL34AAN					

### Motor

1	Shaft rotor complete	KL09AB4	KL09AB5	KL09AB6	KL09AB7	KL09AB8
2*	Bearings - Rings	KL11AAA	KL11AAA	KL11AAA	KL11AAC	KL11AAC
	Bearings Type	6202/6202			6204/6204	
3	Oil seals	KL03ACM	KL03ACM	KL03ACM	KL03ACM	KL03ACM
4	Terminal box	KL30AAA	KL30AAA	KL30AAB	KL30AAB	KL30AAB
6	Tie rods PLM 90					
8	Adaptor	KL21AAK	KL21AAK	KL21AAK	KL21AAL	KL21AAL
9	Stator housing	KL25AAC	KL25AAE	KL25AAG	KL25AAL	KL25AAN
13	Fan cover	KL29AAD	KL29AAD	KL29AAD	KL29AAE	KL29AAE

### SINGLE UNIT

#### Pump

19	Seal housing disc	160102450	160102450	160102450	160102450	160102450
15	Pump body	151300850	151300850	151300850	151300860	151300860
		151300850	151300860		151300870	151300870
18	Diffuser	162800880	162800880	162800880	162800890	162800890
		162800880	162800890		162800890	162800890
20	Support foot	161403630	161403630	161403630	161403630	161403630

#### Motor

5	Capacitor 1 ~ 2.2 KW	150990430	150990440	150990450	150990460	150990480
	uF/450V	16	20	25	30	40
14	Base with pins	158160330	158160340	158160350	158160500	158160510
11	Rear shield NDE					
12	Fan SM71 - 80 / PLM90	140760150	140760150	140760150	140760160	140760160

15	Pump body Victaulic	251301540	251301540	251301540	251301450	251301450
		251301540	251301450		251301450	251301450

\* Recommended spare parts - Parti di ricambio consigliate

\* Pièces détachées conseillées - Empfohlene Ersatzteile

CIEM\_5\_July14\_EdA

## CIE

ELP 3 -, 2P  
230/400 50

CIE --->

	70/5	80/5/D	120/5/D	210/3/D	210/4/D	210/5/D	
	101830210	104483020	104483040	104483060	104483070	104483080	
	120/3	210/2/D		370/1/D	370/2/D	370/3/D	370/5/D
	101830230	104483050		104483090	104483100	104483110	104483120
kW ->	0,55	0,75	0,9	1,1	1,5	2,2	3,0
CIE: motors IE1 fitted				CIE/D: motors IE3 fitted			

## KIT

### Pump

16-17*	Impeller + nut		KL04AFW	KL04AFX	KL04AFZ	KL04AHC	KL04AHD	KL04AHE	
			KL04AFY	KL04AHB		KL04AHF	KL04AHG	KL04AHH	KL04AHK
22*	Mech Seal	Material-->	Q6Q6EGF	VCEGG	Q6Q6VGF				
			KL01AEM	KL01ADX	KL01AEN				
	Mech Seal	Material-->	U3Q1VGG	U3Q1TGG	U3Q1PGG				
			KL01ADV	KL01AEQ	KL01AEP				D.14
23*	OR EPDM Kit		KL02ABP						
	OR FPM Kit		KL02ABQ						
	OR FTFE Kit		KL02ABR						
	OR NBR Kit		KL02ABN						

21	Fill-Drain plug EPDM	KL34AAP	
	Fill-Drain plug FPM	KL34AAQ	
	Fill-Drain plug PTFE	KL34AAR	
	Fill-Drain plug NBR	KL34AAN	

### Motor

1	Shaft rotor complete	KL09ABY	KL09AK5	KL09AK6	KL09AK6	KL09AK7	5KL09AEV	5KL09AEW
2*	Bearings - Rings	KL11AAA	KL11AAW	KL11AAW	KL11AAW	KL11AAW	5KL11AA1	5KL11AA1
	Bearings Type	6202/6202	6204/6304HE				6204/6205HE	
3	Oil seals	KL03ACM	KL03ACM	KL03ACM	KL03ACM	KL03ACM	5KL03AAA	5KL03AAA
4	Terminal box	KL30AAA	KL30AAA	KL30AAA	KL30AAA	KL30AAA	5KL30AAE	5KL30AAE
6	Tie rods PLM 90						5KL22AAA	5KL22AAA
9	Stator housing	KL25AAD	KL25ADD	KL25ADF	KL25ADF	KL25ADH	5KL25AAB	5KL25ABP
13	Fan cover	KL29AAD	KL29AAE	KL29AAE	KL29AAE	KL29AAE	5KL29AAA	5KL29AAA

## SINGLE UNIT

### Pump

19	Seal housing plate	160102450	160102450	160102450	160102450	160102450	160102450	160102450
15	Pump body	151300850	151300850	151300850	151300860	151300860	151300860	
		151300850	151300860		151300870	151300870	151300870	151300870
18	Diffuser	162800880	162800880	162800880	162800890	162800890	162800890	
		162800880	162800890		162800890	162800890	162800890	162800890
20	Support foot	161403630	161403630	161403630	161403630	161403630	161403630	161403630

### Motor

5	Capacitor 1 ~ 2.2 KW							
8	Adaptor	KL21AAK	KL21AAL	KL21AAL	KL21AAL	KL21AAL	5KL21AAA	5KL21AAA
14	Base with pins	158160280	158160280	158160280	158160280	158160280	5830AAA	5830AAA
11	Rear shield NDE						5KL20AAZ	5KL20AAZ
12	Fan SM71 - 80 / PLM90	140760150	140760160	140760160	140760160	140760160	540760010	540760010
15	Pump body Victaulic	251301540	251301540	251301540	251301450	251301450	251301450	251301450
		251301540	251301450		251301450	251301450	251301450	251301450

\* Recommended spare parts - Parti di ricambio consigliate

\* Pièces détachées conseillées - Empfohlene Ersatzteile

CIE(M)\_5\_July14\_EdA

## CIE4

ELP 3 -, 4P  
230/400 50

CIE4 ---->

<b>70/5</b>	<b>80/5</b>	<b>120/5</b>	<b>210/3</b>	<b>210/4</b>	<b>210/5</b>
TBD	TBD	TBD	101830460	101830470	TBD
<b>120/3</b>	<b>210/2</b>		<b>370/1</b>	<b>370/2</b>	<b>370/3</b>
TBD	TBD		TBD	TBD	TBD
<b>0.25</b>	<b>0.25</b>	<b>0.25</b>	<b>0.25</b>	<b>0.25</b>	<b>0.25</b>

CIE: motors IE1 fitted

kW -->

KIT

### Pump

16-17	Impeller + nut	KL04AFW	KL04AFX	KL04AFZ	KL04AHC	KL04AHD	KL04AHE
		KL04AFY	KL04AHB		KL04AHF	KL04AHG	KL04AHH
22*	Mech Seal	Material-->	Q6Q6EGF	VCEGG	Q6Q6VGF		
			KL01AEM	KL01ADX	KL01AEN		
	Mech Seal	Material-->	U3Q1VGG	U3Q1TGG	U3Q1PGG		
			KL01ADV	KL01AEQ	KL01AEP		D.14
23*	OR EPDM Kit	KL02ABP					
	OR FPM Kit	KL02ABQ					
	OR FTFE Kit	KL02ABR					
	OR NBR Kit	KL02ABN					
21	Fill-Drain plug EPDM	KL34AAP					
	Fill-Drain plug FPM	KL34AAQ					
	Fill-Drain plug PTFE	KL34AAR					
	Fill-Drain plug NBR	KL34AAN					

### Motor

1	Shaft rotor complete	KL09ABY	KL09ABY	KL09ABY	KL09ABY	KL09ABY	KL09ABY
2*	Bearings - Rings	KL11AAA	KL11AAA	KL11AAA	KL11AAA	KL11AAA	KL11AAA
	Bearings Type	6202/6202					
3	Oil seals	KL03ACM	KL03ACM	KL03ACM	KL03ACM	KL03ACM	KL03ACM
4	Terminal box	KL30AAA	KL30AAA	KL30AAA	KL30AAA	KL30AAA	KL30AAA
9	Stator housing	KL25ABC	KL25ABC	KL25ABC	KL25ABC	KL25ABC	KL25ABC
13	Fan cover	KL29AAD	KL29AAD	KL29AAD	KL29AAD	KL29AAD	KL29AAD

### SINGLE UNIT

#### Pump

19	Seal housing plate	160102450	160102450	160102450	160102450	160102450	160102450
15	Pump body	151300850	151300850	151300850	151300860	151300860	151300860
		151300850					
18	Diffuser	162800880	162800880	162800880	162800890	162800890	162800890
		162800880					
20	Support foot	161403630	161403630	161403630	161403630	161403630	161403630

#### Motor

5	Capacitor 1 ~ 2.2 KW						
8	Adaptor	KL21AAK	KL21AAK	KL21AAK	KL21AAK	KL21AAK	KL21AAK
14	Base with pins	158160280	158160280	158160280	158160280	158160280	158160280
11	Rear shield NDE, PLM						
12	Fan SM71	140760150	140760150	140760150	140760150	140760150	140760150
15	Pump body Victaulic	251301540	251301540	251301540	251301450	251301450	251301450
		251301540	251301450		251301450	251301450	251301450

\* Recommended spare parts - Parti di ricambio consigliate

\* Pièces détachées conseillées - Empfohlene Ersatzteile

CIE(M)\_5\_July14\_EdA

xylem