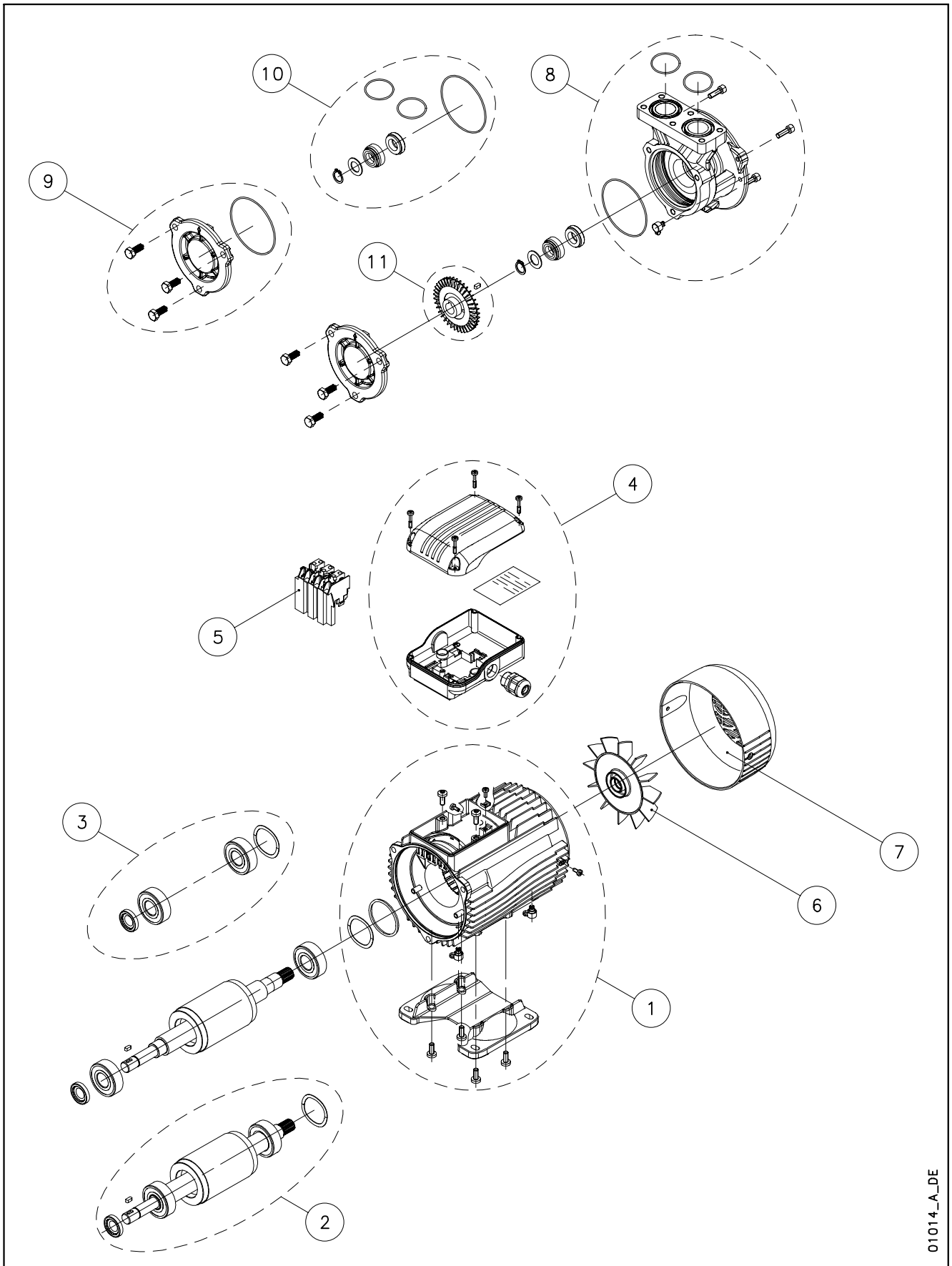


## PR 60 - 80



01014\_A\_DE

Lowara is a trademark of Xylem Inc. or one of its subsidiaries.

<b>N.</b>	<b>Descrizione it</b>	<b>Description en</b>	<b>Description fr</b>	<b>Beschreibung de</b>	<b>Descripción es</b>	<b>Descrição pt</b>
1	Cassa motore con statore	Motor casing and stator	Casse moteur avec stator	Motorgehäuse mit stator	Caja motor con estator	Carcada do motor com estator
2	Albero rotore + cuscinetti	Rotor shaft + bearings	Rotor arbre + roulements	Rotor mit welle + lagern	Rotor árbol + cojinetes	Rotor veio + rolamentos
3	Cuscinetti	Bearings	Roulements	Lagern	Cojinetes	Rolamentos
4	Scatola morsettieria	Terminal box board	Boite a bornes	Klemmkastenbrette	Caja tablero de bornes	Caixa quadro de grampo
5	Morsettieria (Plug-in)	Terminal block (Plug in)	Bornier enfichable (Plug in)	Steck-Klemmkasten (Plug in)	Place de bornes ( Plug in)	Grampo ( Plug in)
6	Ventola	Fan	Ventilateur	Ventilator	Ventilador	Ventoiinha
7	Copriventola	Fan cover	Protection ventilateur	Ventilatorabdeckung	Proteccion ventilador	Proteccao de ventoiinha
8	Corpo pompa	Pump body	Corps de pompe	Pumpengehäuse	Caja bomba	Corpo da bomba
9	Flangia frontale	Front flange	Avant bride	Frontseite	Frente brida	Tampa de parte diantera
10	Kit tenuta meccanica e guarnizioni OR	Mechanical seal and O ring kit	Kit Garniture d'étanchéité mécanique au joints toriques	Dichtungssatz und O-Ring	Kit retén mecánico y empaquetaduras aro tórico	Vedante mecânico e Kit Oring
11	Girante e linguetta	Impeller and key	Turbine et clavette	Lauf rad und passfeder	Rueda de álabes y lingueta	Impulsor e lingueta

## PR 60-PR 80

KIT	DESCRIZIONE	MODELLO POMPA			
		PR60E/A	PR60V/A	PR80E/A	PR80V/A
		107490300	107490310	107490350	107490360
		1.1 kW	1.1 kW	2.2 kW	2.2 kW
1	CASSA MOTORE	KR7490000	KR7490000	KR7490010	KR7490010
2	ALBERO-ROTORE-CUSCINETTI	KR7490020	KR7490020	KR7490030	KR7490030
* 3	CUSCINETTI	KR7490040	KR7490040	KR7490040	KR7490040
4	SCATOLA MORSETTIERA	KR7490050	KR7490050	KR7490050	KR7490050
5	MORSETTIERA PLUG IN	KR7490060	KR7490060	KR7490060	KR7490060
6	VENTOLA	KR7490070	KR7490070	KR7490070	KR7490070
7	COPRIVENTOLA	KR7490080	KR7490080	KR7490080	KR7490080
8-a	CORPO POMPA + OR	KR7490090	-	KR7490100	-
8-b	CORPO POMPA + OR	-	KR7490110	-	KR7490120
9-a	FLANGIA FRONTALE + OR	KR7490130	-	KR7490140	-
9-b	FLANGIA FRONTALE + OR	-	KR7490150	-	KR7490160
* 10-a	KIT TENUTA + OR	KR7490170	-	KR7490180	-
* 10-b	KIT TENUTA + OR	-	KR7490190	-	KR7490200
11	GIRANTE	KR7490210	KR7490210	KR7490220	KR7490220

\* RICAMBI RACCOMANDATI : MATERIALE DI CONSUMO (CUSCINETTI, TENUTE, OR).

N.B. : (8-9-10)-a = elastomeri EPDM ; (8-9-10)-b = elastomeri FPM .

KIT	DESCRIPTION	PUMP-MODEL			
		PR60E/A	PR60V/A	PR80E/A	PR80V/A
		107490300	107490310	107490350	107490360
		1.1 kW	1.1 kW	2.2 kW	2.2 kW
1	MOTOR CASING	KR7490000	KR7490000	KR7490010	KR7490010
2	SHAFT-ROTOR-BEARINGS	KR7490020	KR7490020	KR7490030	KR7490030
* 3	BEARINGS	KR7490040	KR7490040	KR7490040	KR7490040
4	TERMINAL BOX	KR7490050	KR7490050	KR7490050	KR7490050
5	PLUG IN BLOCK	KR7490060	KR7490060	KR7490060	KR7490060
6	FAN	KR7490070	KR7490070	KR7490070	KR7490070
7	FAN COVER	KR7490080	KR7490080	KR7490080	KR7490080
8-a	PUMP BODY + OR	KR7490090	-	KR7490100	-
8-b	PUMP BODY + OR	-	KR7490110	-	KR7490120
9-a	FRONT FLANGE + OR	KR7490130	-	KR7490140	-
9-b	FRONT FLANGE + OR	-	KR7490150	-	KR7490160
* 10-a	SEAL + OR	KR7490170	-	KR7490180	-
* 10-b	SEAL + OR	-	KR7490190	-	KR7490200
11	IMPELLER	KR7490210	KR7490210	KR7490220	KR7490220

\* RECOMMENDED SPARE PARTS : CONSUME MATERIAL (BEARINGS, SEALS, O-RINGS).

N.B. : (8-9-10)-a = EPDM elastomers, (8-9-10)-b = FPM elastomers .

xylem