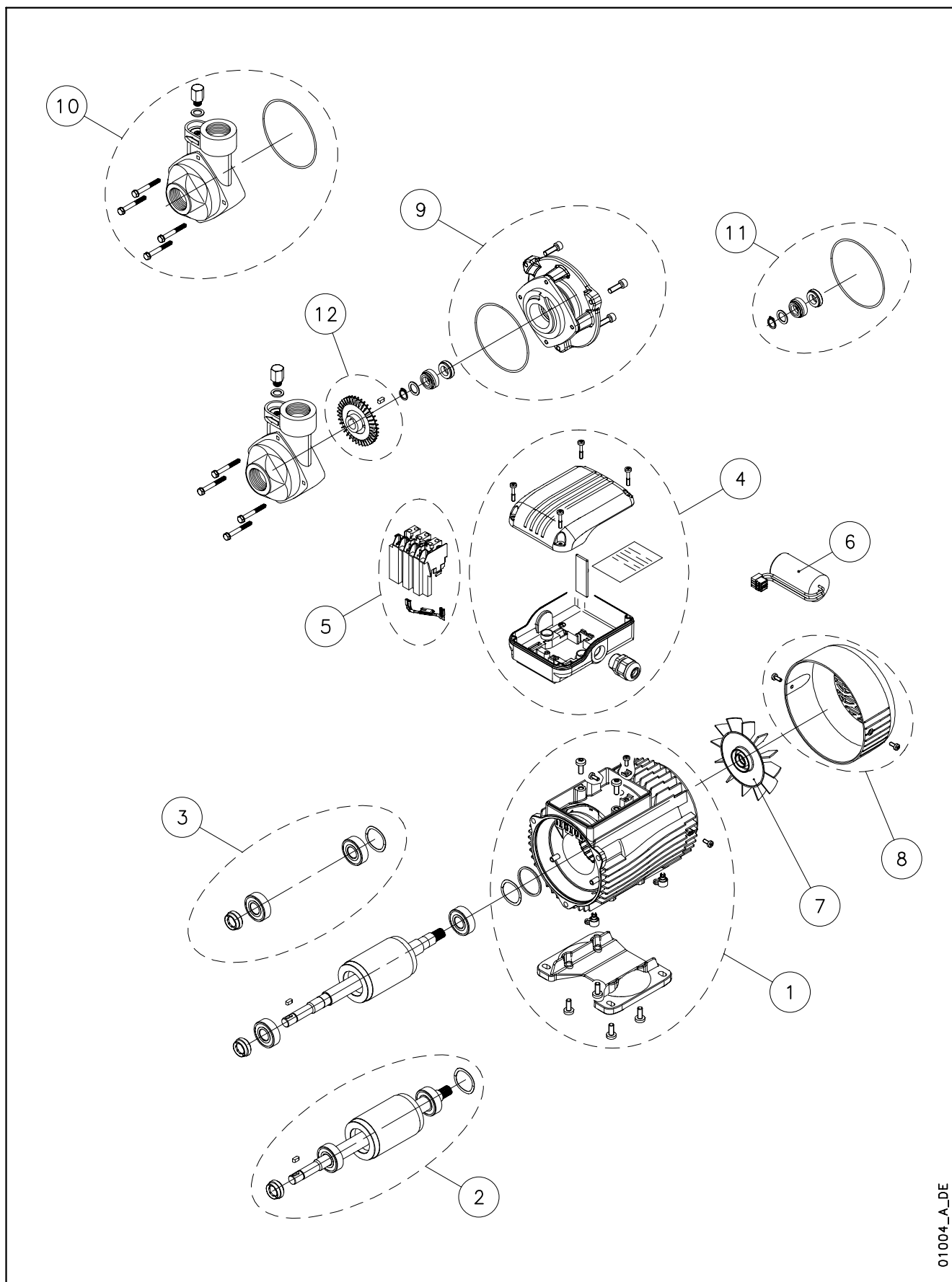


## P (PK) 30 - 40 - 60 - 70



01004\_A\_DE

Lowara is a trademark of Xylem Inc. or one of its subsidiaries.

N.	Descrizione – Description - Description – Beschreibung – Descripción – Descrição
1	Cassa motore con statore – Motor casing and stator – Casse moteur avec stator – Motorgehaeuse mit stator – Caja motor con estator – Carcada do motor com estator
2	Albero rotore + cuscinetti – Rotor shaft + bearings – Rotor arbre + roulements – Rotor mit welle + lagern – Rotor arbol + cojinetes – Rotor veio + rolamentos
* 3	Cuscinetti – Bearings – Roulements – Lagern – Cojinetes – Rolamentos
4	Scatola morsettiera – Terminal box board – Boite a bornes – Klemmkastenbrette – Caja tablero de bornes – Caixa quadro de grampo
5	Morsettiera (Plug-in) – Terminal block (Plug in) – Bornier enfichable (Plug in) – Steck-Klemmkasten (Plug in) – Place de bornes ( Plug in) – Grampo ( Plug in)
6	Condensatore – Capacitor – Condensateur – Kondensator – Condensador – Condensador
7	Ventola – Fan – Ventilateur - Ventilator – Ventilador – Ventoiinha
8	Copriventola – Fan cover – Protection ventilateur – Ventilatorabdeckung – Proteccion ventilador – Proteccao de ventoiinha
9	Supporto motore/pompa + OR – Motor/pump bracket + O ring – Support moteur/pompe + joint torique – Motor/Pumpen Halterung + O-Ring – Soporte de motor/bomba + torico - Suporte do motor/bomba + O-Ring
10	Corpo pompa + OR – Pump body + O ring – Corps de pompe + joint torique – Pumpengehäuse + O-Ring – Caja bomba + tórico – Corpo da bomba + O ring
* 11	Kit tenuta meccanica e guarnizioni OR – Mechanical seal and O ring kit – Kit Garniture d'étanchéité mécanique au joints toriques – Dichtungssatz und O-Ring – Kit retén mecánico y empaquetaduras aro tórico – Vedante mecânico e Kit Oring
12	Girante e linguetta – Impeller et key – Turbine et clavette – Laufrad und passfeder– Rueda de álabes y lengueta – Impulsor e lingueta

\* Parti di ricambio consigliate – Recommended spare parts – Pièces de rechange conseillées– Empfohlene Ersatzteile – Piezas de repuesto aconsejadas – Peças de reposição aconselhadas

## Pompe PK30/B -PK40/B

KIT	DESCRIZIONE	MODELLO POMPA				
		PKM30/B	PK30/B		PKM40/B	PK40/B
		107490630	TBD		107490640	TBD
		0.55 kW	0.55 kW		0.75 kW	0.75 kW
1	CASSA MOTORE	KR7491000	KR7491010		KR7491020	KR7491030
2	ALBERO-ROTORE-CUSCINETTI	KR7491040	KR7491060		KR7491050	KR7491070
* 3	CUSCINETTI	KR7491080	KR7491080		KR7491080	KR7491080
4	SCATOLA MORSETTIERA	KR7491090	KR7491100		KR7491090	KR7491100
5	MORSETTIERA PLUG IN	KR7491120	KR7491110		KR7491130	KR7491110
6	CONDENSATORE	KR7491140	-		KR7491150	-
7	VENTOLA	KR7491160	KR7491160		KR7491160	KR7491160
8	COPRIVENTOLA	KR7491170	KR7491170		KR7491170	KR7491170
9	SUPPORTO MOTORE/ POMPA + OR	KR7491200	KR7491200		KR7491210	KR7491210
10	CORPO POMPA + OR	KR7491240	KR7491240		KR7491250	KR7491250
* 11	KIT TENUTA + OR	KR7491280	KR7491280		KR7491290	KR7491290
12	GIRANTE	KR7491320	KR7491320		KR7491330	KR7491330

\* RICAMBI RACCOMANDATI : MATERIALE DI CONSUMO (CUSCINETTI, TENUTE, OR).

TBD - POMPA PREVISTA

KIT	DESCRIPTION	PUMP-MODEL				
		PKM30/B	PK30/B		PKM40/B	PK40/B
		107490630	TBD		107490640	TBD
		0.55 kW	0.55 kW		0.75 kW	0.75 kW
1	MOTOR CASING	KR7491000	KR7491010		KR7491020	KR7491030
2	SHAFT-ROTOR-BEARINGS	KR7491040	KR7491060		KR7491050	KR7491070
* 3	BEARINGS	KR7491080	KR7491080		KR7491080	KR7491080
4	TERMINAL BOX	KR7491090	KR7491100		KR7491090	KR7491100
5	PLUG IN BLOCK	KR7491120	KR7491110		KR7491130	KR7491110
6	CAPACITOR	KR7491140	-		KR7491150	-
7	FAN	KR7491160	KR7491160		KR7491160	KR7491160
8	FAN COVER	KR7491170	KR7491170		KR7491170	KR7491170
9	MOTOR/PUMP BRACKET + OR	KR7491200	KR7491200		KR7491210	KR7491210
10	PUMP BODY + OR	KR7491240	KR7491240		KR7491250	KR7491250
* 11	SEAL + OR	KR7491280	KR7491280		KR7491290	KR7491290
11	IMPELLER	KR7491320	KR7491320		KR7491330	KR7491330

\* RECOMMENDED SPARE PARTS : CONSUME MATERIAL (BEARINGS, SEALS, O-RINGS).

TBD - PUMP FORESEEN

xylem